



OLD MAN EMU

4X4 SUSPENSION BY ARB

**INTERNATIONAL APPLICATION
CATALOGUE**

NUMBER

27

JUNE 2011

OME FEATURES

NITROCHARGER SPORT SHOCK ABSORBERS

LARGE BORE 35MM TWIN TUBE DESIGN - Allows greater oil volume for cooling and sustained valving performance and strong 1.6mm outer tube construction protects the vital internal components from damage.

LARGE 18MM HARDENED CHROME PISTON ROD - Strong enough to handle any load or harsh conditions expected from your 4x4.

TRIPLE LIP CHECK VALVE OIL SEAL – MK2 -The latest technology in oil seal design – physically larger with quantum improvements in durability, oil and gas retention with much greater resistance to heat so it keeps working under the harshest conditions.

TEFLON IMPREGNATED LOW FRICTION ROD GUIDE - The latest refinement in rod guide design further reduces heat build up and maintains performance.

TEFLON INFUSED BRONZE ROD GUIDE SLIP RING - A new component that maintains consistent and uniform performance by providing a tight and uniform fit between the piston rod and rod guide.

MULTI DEFLECTIVE DISC VALVING SYSTEM - A unique and new valving system that features multiple disc valving control at the base of the shock and on both sides of the piston rod. This allows the OME engineers more valving options for better ride quality and handling control.

35MM HIGH FLOW TEFLON BANDED PISTON - New low friction design has less restrictive oil flow through the piston, reduces heat build up and aeration of the oil that leads to fade.

VEHICLE SPECIFIC VALVING - OME shock absorber's performance stand head and shoulders over its competitors because many hours of OME engineering valving work has been put into each and every shock absorber to ensure our customers get the best ride and handling their vehicle can have.

POLYETHYLENE DIRT SHIELD – Impact resistant, polyethylene dirt shield provides additional protection from stone chips and off road debris.

NITROGEN GAS – Increases the temperature operating range and improves oil flow through the valving, ensuring optimum performance.

SUPPLEMENTARY WELDS - For strength and reliability all mounts have supplementary welds.

WARRANTY - 3 year/60,000km warranty.

NITROCHARGER SHOCK ABSORBERS

GIANT 18MM CHROMED SHAFT - Indestructible for Australia's rugged off roading. Induction hardened then hard chromed to a superfine finish.

NITROGEN GAS - The gas pressure keeps the oil cohesive under all situations.

TWIN TUBE DESIGN - 33% thicker outer tube insures that rocks do not damage internal operating components. This design also allows for a greater volume of oil which keeps shock cooler.

35MM SEVEN STAGE COMPRESSION VALVE - Delivers all the subtleties of compression rates for the best ride and handling.

CHECK VALVE SEAL - The latest in seal technology, this shaft seal significantly improves gas retention whilst offering excellent longevity.

GLACIER BUSH - A Teflon coated rod guide bush - significantly reduces heat build up in the rod guide area, developed from the Emu's off road racing programme.

GIANT 35MM TEFLON BANDED PISTON - A new four stage coil sprung rebound valve system to control vehicle bounce.

SUPPLEMENTARY WELDS - On all mounting eyes & pins for maximum shock absorber mount strength.

STONEGUARD - Protects oil seal and piston rod against stone and dirt damage.

WARRANTY - 2 year/40,000km warranty.

COIL SPRINGS

X5K MICRO-ALLOYED SPRING STEEL – New generation high strength spring steel grade designed to withstand higher operating stresses with superior resistance to sag and improved toughness and corrosion fatigue properties.

SHOT PEENED – To reduce stress, which greatly enhances spring life.

DOUBLE SCRAGGED – To eliminate spring sag.

VARIABLE & CONSTANT RATE – Designs used to obtain optimum ride comfort and load carrying capabilities

STEERING STABILISERS

COIL SPRUNG 9 STAGE VALVING - For optimum performance.

35MM PISTON & BORE - Greater oil volume giving better damper performance.

TWIN TUBE DESIGN - Protects the internal components against stone damage.

STEEL STONEGUARD - Protects the piston rod against stone damage.

FOAM CELL - Keeps the oil at the valving to prevent fade.

ORIGINAL MOUNTS - All mounts are of similar design to original stabilisers for ease of fitment.

LEAF SPRINGS

FLAT AXLE SEAT AREA - Lowers spring stress whilst retaining spring free camber height. Unique to most OME springs.

ANTI FRICTION INTER LEAF LINERS - Used where applicable to reduce friction between spring leaves giving better ride comfort and increased spring life.

SHOT PEENED - On the tension side of all leaves to double spring life.

DRAW TAPERED & DIAMOND CUT LEAVES - For reduced interleaf friction and improved load distribution in the load bearing area.

GRAPHITE COATED - For further reduced friction.

MILITARY WRAPPED - For extra safety (where fitment permits).

LOOSE CLAMPED - For smooth & quiet operation.

URETHANE BUSHES - LEAF SPRING

PREMIUM GRADE - Not all bushes are the same - OME bushes are precision moulded in captive moulds to ensure exact tolerances for long bush life.

SPLINES - Ensures the best fit by taking up irregularities in spring eyes.

UNIQUE OME DESIGN - Clever lip seal and shoulder design prevents dirt penetrating between bush shoulder and shackle face.

GREASABLE SHACKLES

REDUCED WEAR - Greasable shackles reduce shackle pin deterioration, increase bush life, enables easy maintenance and improve ride and handling.

ANTI INVERSION FACILITY - Built in feature on all LandCruiser greasable shackles.

SERVICING - Simple & effective.

CONTENTS



	PAGE
GUIDE TO SELECTION	4
NITROCHARGER SPORT SELECTION	5
NITROCHARGERS & STEERING STABILISER APPLICATIONS	8
COMPACT AWD - OME SPRING & SHOCK ABSORBER RANGE	12
LTR REMOTE CANISTER SELECTION.....	13
COMPETITION SHOCKS & SPRINGS SELECTION	14
SUSPENSION APPLICATIONS	
CHRYSLER JEEP	15
FORD	21
HOLDEN / ISUZU / GM	24
HUMMER	28
HYUNDAI	29
KIA	29
LADA NIVA	30
LAND ROVER	31
MAZDA	35
MITSUBISHI	36
NISSAN	43
SSANGYONG	55
SUZUKI	55
TOYOTA	60
VOLKSWAGEN	83
TECHNICAL SPECIFICATIONS	
ADDING OR REMOVING AN EXTRA LEAF	84
REPLACEMENT MAIN OR 2ND LEAF	85
REPLACEMENT CENTRE BOLTS	86
DAKAR SPRING SERVICE PARTS	86
U BOLTS	87
SUSPENSION FITTING KITS	88
LEAF SPRING TRIM PACKERS	91
CLIP LINER KITS FOR LEAF SPRINGS	91
INTER-LEAF LINER KIT FOR LEAF SPRINGS	91
LEAF SPRING CENTRE BOLT SLEEVES	91
DIAGRAM REFERENCE FOR SUSPENSION BUSH KITS	92
SUSPENSION BUSH KIT SELECTION	94
NITROCHARGER SPORT SPECIFICATIONS	101
NITROCHARGER SPECIFICATIONS	103
SHOCK ABSORBER MOUNT TYPE	107
TORSION BAR SPECIFICATIONS	107
LEAF SPRING SPECIFICATIONS	108
COIL SPRING SPECIFICATIONS	110
OLD MAN EMU POLYURETHANE SPRING BUSH DIMENSIONS	115
NUMERICAL SPRING & SHOCK BUSH APPLICATIONS	116
STEERING STABILISER SPECIFICATIONS	119
TORSION BAR FITTING HINTS	120
STRUT CARTRIDGE FITMENT INSTRUCTIONS.....	122
RECOMMENDED FITTING TIMES	124

© ARB Corporation Limited, Old Man Emu Division P.O. Box 105 Kilsyth, Vic. 3137 Australia.

All rights reserved. No part of this catalogue may be reproduced or copied in any form or by any means (graphic, electronic or mechanical, including photocopying, recording, taping or information systems) without the written permission of the publisher.

Terminologies & Explanations

Please note most suspension development has been carried out on Australian specification models. Therefore, some differences may exist between the same model in another country. Overseas customers will need to make allowances for these possible differences.

Supplying all items shown on suspension selection charts will ensure the system can be fitted, however, there will be vehicles which will not require all items, eg. Trimming kits, caster kits, all U bolts shown, etc. Actual, individual vehicle requirements can only be determined when the suspension system is fitted.

GVM - GROSS VEHICLE MASS: Set by the vehicle manufacturer and is determined by brake, axle, differential and tyre specifications. Exceeding GVM ratings can have legal and safety implications and is not recommended.

LOAD RATING - FRONT: Weights shown are maximum permissible loads with regard to accessories fitted, eg. Bull bar, winch, dual battery, etc.

LOAD RATING: The explanations below indicates the passenger and load weights that will provide optimum ride and handling.

REAR:

LIGHT LOAD: Full passenger load with luggage weights up to 150kg.

MEDIUM LOAD: Full passenger load with luggage weight varying from 200kg to 350kg.

CONSTANT LOAD: The minimum constant load shown on selection chart is required for optimum spring performance.

Please note: These loads are approximate only. Refer to individual vehicle selection for load specifications.

LIFT HEIGHT: Is shown as a guide only and equates to the amount of lift over the vehicle's original ride height. This amount can vary from vehicle to vehicle.

OE: Original Equipment, as supplied by the manufacturer of the vehicle.

SHOCK ABSORBERS: Where two part numbers are given for the same application the part with the asterisk (*) indicates the shock absorber with the firmer ride.

SPRING BUSH: OME polyurethane spring eye bushes on installation must only be greased in the bore and on the flange area and regularly thereafter with OME polyurethane grease.

STEERING STABILISER: Designed as a larger capacity replacement for the OE part and incorporates 50/50 neutral valving.

CASTER KIT: The OMECA77B, CALR1 and CALR2 kits consist of 4 eccentric bushes which are pressed into the leading arms of the vehicle. This will induce positive caster into the front geometry.

LEAF SPRINGS: A & B springs can be used to compensate for uneven vehicle weight distribution. Springs marked "A" have a greater camber height than springs marked 'B'. 'A' type springs are generally fitted to the driver's side and 'B' springs to the passenger side.

COIL SPRINGS: A & B springs are used to compensate for uneven vehicle weight distribution. 'A' type springs are generally higher in free high than the 'B' spring. Individual coil specifications are listed in the back of this publication.

GEARBOX PACKER KIT: Designed to space down the gearbox cross member from the chassis to reduce tail shaft flange angle thereby reducing driveline vibration.

GREASABLE SHACKLES: Replacement for original shackles allow easy regular greasing of polyurethane spring eye bushes.

TRIM PACKERS: The prime purpose of a trim packer is to correct slight vehicle leaning.

VEHICLES WITH LEAF SPRINGS UNDER SLUNG: Trim packer when fitted will reduce suspension height.

VEHICLES WITH LEAF SPRINGS OVER SLUNG: Trim packer when fitted will increase suspension height.

VEHICLES WITH COIL SPRINGS: Polyurethane trim packer main purpose is to correct slight vehicle trimming problems and will increase ride height when fitted.

NITROCHARGER SPORT SELECTION

SELECTION ADVICE

Where there is a choice of part numbers it is important the right selection is made with consideration given to type of spring rates and customer applications.

Firm Valving

The firm part number should be selected whenever heavy rate springs are fitted, as the valving has been specifically developed to control the higher spring rates. The firmer valving will provide better control when cornering, while also preventing axle bounce over rough roads.

If a softer valved Selection is fitted with a heavy rate spring the vehicle's rebound handling will be reduced. This will be evident by axle bounce over rough roads, dipping under braking or cornering and wallowing over undulating roads.

Soft Valving

Valved specifically for light to medium rate springs. Most suitable for customers wanting a comfortable ride and regularly carry light to medium loads. Under full GVM load a slight amount of body roll during cornering and highway speed manoeuvring can occur.

A RECOMMENDATION FOR CUSTOMERS BUYING 4 REPLACEMENT SHOCK ABSORBERS

By the time a customer has decided to replace the old and well used original shock absorbers there is every chance that the original springs are also ready for replacement.

It should be explained to the customer that if their springs are sagged and tired that this would cause the shock absorbers to work a lot harder.

Therefore, the life expectancy of the shock absorbers will be considerably shortened and when loaded ride and handling qualities will also be reduced.

REMEMBER: A good set of shock absorbers will not overcome a bad set of springs.

YEAR	VEHICLE DESCRIPTION	OME NITROCHARGER SPORT SHOCKS & STRUTS		STEERING STABILISERS
		FRONT	REAR	
CHRYSLER JEEP				
2008 on	Cherokee/Liberty KK All Models	90009 ¹¹	60069	
2002 to 2007	Cherokee/Liberty KJ ALL Models (OME Springs)	90009 ¹¹	60069	
1984 on	Cherokee XJ - Petrol & Diesel	60052	60053	OMESD40 ⁹
2006 on	Wrangler JK - All Models	60066	60067	
1997 to 2006	Wrangler TJ	*60047 / 60046	*60049 / 60048 ¹⁰	OMESD40 ⁹
DAIHATSU				
1992 to 1997	Feroza II F310	60040	Under Development	
1988 to 1992	Feroza I F300	60040	Under Development	
1993 on	Rocky F78 Wide Track	60031	Under Development	OMESD31 '86 on
FORD				
2006 on	Ranger PJ All Models	60022 ⁴	60023	
1985 to 2005	Courier/Ranger Pick Up	60022 ⁴	60023	
1987 to 1993	Raider Wagon	60022	60023	
All	Maverick Wagon & Hard Top	*60013 / 60012	*60015 / 60014	To 8/89 OMESD34 9/89 on OMESD36
HOLDEN/ISUZU/CHEVY				
2003 on	Rodeo/Isuzu Pick up - RA Models / Colorado	60031	*60064 / 60032	
7/81 to 2003	Rodeo/Isuzu Pick Up KB4, KBD4 & TFS	60031	*60064 / 60032	
1992 to 2004	Jackaroo/Trooper & Monterey (Isuzu Wagon)	60031	60074	
11/86 to 3/92	Jackaroo/Trooper	60031	*60063 / 60009 ⁸	
1982 to 10/86	Jackaroo/Trooper	60031	*60064 / 60032	
99 to 6/2003	Frontera Wagon	60031	Under Development	
1995 to 1998	Frontera UT	60031	Under Development	
HUMMER				
07/2007 on	H3	90001	60045	
LAND ROVER				
1999 to 2004	Discovery Series II (Not Suitable for Airbag Models)	60024	*60025 / 60026	OMESD02
1991 to 1999	Discovery Series I	60037	*60039 / 60038	OMESD11
To 5/1995	Range Rover (Not Suitable for Airbag Models)	60037	*60039 / 60038	OMESD11
1984 on	Defender & County 90, 110 & 130	60037	*60039 / 60038	OMESD32

NITROCHARGER SPORT SELECTION

OME NITROCHARGER SPORT
SHOCKS & STRUTS

STEERING
STABILISERS

YEAR	VEHICLE DESCRIPTION	FRONT	REAR	
MAZDA				
2006 on	Mazda BT50 All Models	60022 ⁴	60023	
1987 to 2006	B2600 Pick Up All Models	60022 ⁴	60023	
MITSUBISHI				
4/2000 on	Pajero/Montero NS, NM, NP & NT LWB & SWB	*90007 / 90006 ¹¹	*60033 / 60019	
91 to 3/2000	Pajero/Montero (Coil Springs) NH, NJ, NK & NL	60040	60041	
91 to 3/2000	Pajero/Montero (Leaf Springs) NH, NJ, NK & NL	60040	*60036 / 60057	
1989 to 5/91	Pajero/Montero (Coil Springs) NF & NG	60051	60056	
To 4/1991	Pajero/Montero (Leaf Springs) NA, NB, NC, ND, NE, NF & NG	60051	*60036 / 60057	
2009 on	Challenger/Montero Sport KH	90008 ¹¹	*60075 / 60076	
2000 to 2008	Challenger/Montero Sport (Coil Springs)	60040	60059	
1998 to 2000	Challenger/Montero Sport (Leaf Springs)	60040	*60036 / 60057	
7/2006 on	Triton/L200 ML & MN All Models	90008 ¹¹	60036	
10/96 to 6/06	Triton/L200 MK Models	60040	60050	
1993 to 9/96	Triton/L200 MJ Models	60051	60058	
91 to 8/96	Triton/L200 V6 (OE Springs)	60051	60057	
10/86 to 1993	Triton/L200 (V6 & 4 Cylinder) ME, MF, MG, MH	60051	60058	
To 1986	L200 MA, MB, MC & MD	60051	60058	
To 9/1986	L300 Vans SA, SB, SC & SD	60051	60032	
NISSAN				
2/2000 on	Patrol Y61 (GU) SWB & Wagon	*60013 / 60012	*60015 / 60014 ³	OMESD01
1997 to 1/00	Patrol Y61 (GU) Wagon & SWB	*60013 / 60012	*60015 / 60014 ³	OMESD11
1997 on	Patrol Y61 (GU) Cab Chassis (Leaf Spring Rear)	60055	60054	
1997 on	Patrol Y61 (GU) Cab Chassis (All Coil Springs)	*60013 / 60012	*60015 / 60014 ³	OMESD11
To 8/1989	Patrol Y60 (GQ) Wagon & SWB	*60013 / 60012	*60015 / 60014	OMESD34
9/1989 on	Patrol Y60 (GQ) Wagon, SWB & Cab Chassis	*60013 / 60012	*60015 / 60014	OMESD36
1988 to 7/97	Patrol Y60 (GQ) Ute & Cab Chassis (Leaf Springs)	60068	60054	OMESD22
2005 on	Pathfinder R51	90003 ¹¹	60016	
1986 to 8/95	Pathfinder/Terrano WD21	60031	*60064 / 60032	OMESD35
2005 on	Navara D40	90003 ¹¹	60017	
10/2002 on	Navara D22	60034 ²	60035	
1/86 to 8/02	Navara D21 & D22 Pick Up	60021 ²	60035	OMESD35 ⁵
1/1986 on	Navara D21 & D22 Pick Up 4x2	60040 ²	Under Development	
1980 to 1985	720 Ute & Cab Chassis	60040 ²	*60064 / 60032	
1996 to 1999	Terrano II 4x4 (European Models)	60031	60058	
SUZUKI				
2009 on	Equator (US Market Only)	90003 ¹¹	60017	
SSANGYONG				
To 2005	Musso, Sport Utility & Korando Models	60031	Under Development	
TOYOTA				
2007 on	LandCruiser 200 Series V8	90005 ⁵	*60030 / 60029	
3/1998 on	LandCruiser 100 Series (IFS)	*60001 / 60000	*60003 / 60002 ¹	
3/1998 on	LandCruiser 100 & 105 Series (Front Live Axle)	*60070 / 60018	*60071 / 60020 ¹	OMESD24
4/90 to 1998	LandCruiser 80 Series	*60070 / 60018	*60071 / 60020 ¹	OMESD24
2009 on	Prado 150 Series LWB	90010 ¹¹	*60081 / 60080	
4/2003 to 09	Prado 120 Series (Except TEMS/Grande Models)	90000 ¹¹	*60005 / 60004	
7/96 to 10/02	Prado 95 & KZJ90 Series	90004	*60027 / 60028	
2007 on	LandCruiser 78 & 79 Series V8 Diesel Model	60008	*60011 / 60010	OMESD47
2007 on	LandCruiser 76 Series Wagon - V8	60008	*60011 / 60010	OMESD47
1999 to 2006	LandCruiser 78 & 79 Series - 6 cylinder models	60008	*60011 / 60010 ¹	OMESD24
1985 to 1999	LandCruiser 75 Series	*60063 / 60009	*60011 / 60010 ¹	OMESD24
1985 on	LandCruiser 70, 73 & 74 Series	60009	60062	OMESD24
All	LandCruiser HZJ71 & HJZ74 Series	60008	60044	OMESD24
1986 to 3/90	LandCruiser 60,61 & 62 Series (Rear Lower Pin 19mm)	*60063 / 60009	*60065 / 60062	OMESD24
1980 to 1986	LandCruiser 60 Series (Rear Lower Pin 16mm)	*60063 / 60009	*60064 / 60032	OMESD24
2010 on	FJ Cruiser	90010 ¹¹	*60081 / 60080	
2006 to 2010	FJ Cruiser	90000 ¹¹	60004	

NITROCHARGER SPORT SELECTION

OME NITROCHARGER SPORT
SHOCKS & STRUTS

STEERING
STABILISERS

YEAR	VEHICLE DESCRIPTION	FRONT	REAR		
TOYOTA (continued)					
2005 on	HiLux Vigo KUN26R, GGN25R	90002 ¹¹	*60007 / 60006		
9/97 to 2004	HiLux Tiger LN172, LN167, KZN 165, RZN174 & RZN169 (IFS)	60042	60044 LHS	60043 ⁷ RHS	OMESD33
9/83 to 8/97	HiLux LN65, YN65, LN106 & RN105 (All Leaf Suspension)	60061	*60065 / 60062		OMESD21
1988 to 8/97	HiLux/4 Runner LN107, RN105, RN110 & LN111 (IFS)	60072	*60065 / 60062		
To 8/1983	HiLux LN46 & RN46 (All Leaf) (Rear Lower Pin 16mm)	60061	*60064 / 60032 ¹		OMESD21
2010 on	4 Runner (USA)	90010 ¹¹	*60081 / 60080 ¹		
2003 to 2010	4 Runner (USA)	90000 ¹¹	*60005 / 60004		
1996 to 2002	4 Runner Front & Rear Coil Springs (USA)	90004	60027		
1990 to 1996	4 Runner (IFS) Front Torsion Bar/Rear Coil Springs	60072	60073		OMESD33
1986 to 1990	4 Runner (IFS) Rear Leaf Springs	60072	60065		OMESD33
VOLKSWAGEN					
2010 on	Amarok	*90013 / 90012	*60083 / 60082		

NOTES: *first part number has firmer valving.

- Shock lower body stone guards are recommended fitment to rear shocks to protect against severe stone pepping encountered on loose road surfaces. OME661 (suit 4 Runner 2010 On, LandCruiser 80 & 100 Series only) OME660 (all other models).
- It may be necessary to slightly increase the clearance in the front wishbone to allow the shock absorber to fit. Do not modify the shock absorber.
- FK18 rear sway bar extension bracket for LWB models and FK24 for SWB models are **mandatory** fitment with Nitrochargers to prevent damage to sway bar due to increased wheel droop.
- FK22 support brackets must be installed to upper shock mounting brackets on late 1996 on models manufactured in Thailand.
- OME Struts can only be installed with OME Coil Springs. No top mounting bushes supplied, re-use OE bushes.
- OMESD35 will suit D21 models only.
- 60043 is 20mm longer and must only be installed to right hand side.
- OMEB11 bush kit is required to convert lower 19mm bush to 16mm ID.
- OMESD40 will only fit left hand drive models.
- FK16 20mm bump stop spacer kit **mandatory** fitment.
- No top mounting bushes supplied, re-use OE bushes.

Note: Replacement Nitrocharger Sport Dirt Shields: 384006170, 384006210, 384006250 & 384006290.

The last 3 numbers of the part number indicates the length of the dirt shield.

The replacement Dirt Shield Part Number for Individual Sport Shocks are listed in the Nitrocharger Sport Specifications on page 101.

NITROCHARGERS & STEERING STABILISERS

SHOCK ABSORBER SELECTION ADVICE

Where there is a choice of part numbers it is important the right selection is made with consideration given to type of spring rates and customer applications.

Firm Valving

The firm part number should be selected whenever heavy rate springs are fitted, as the valving has been specifically developed to control the higher spring rates. The firmer valving will provide better control when cornering, while also preventing axle bounce over rough roads.

If a softer valved Selection is fitted with a heavy rate spring the vehicle's rebound handling will be reduced. This will be evident by axle bounce over rough roads, dipping under braking or cornering and wallowing over undulating roads.

Soft Valving

Valved specifically for light to medium rate springs. Most suitable for customers wanting a comfortable ride and regularly carry light to medium loads. Under full GVM load a slight amount of body roll during cornering and highway speed manoeuvring can occur.

A CAUTION FOR CUSTOMERS BUYING 4 REPLACEMENT SHOCK ABSORBERS

By the time a customer has decided to replace the old and well used original shock absorbers there is every chance that the original springs are also ready for replacement.

It should be explained to the customer that if their springs are sagged and tired that this would cause the shock absorbers to work a lot harder.

Therefore, the life expectancy of the shock absorbers will be considerably shortened and when loaded ride and handling qualities will also be reduced.

REMEMBER: A good set of shock absorbers will not overcome a bad set of springs.

YEAR	VEHICLE DESCRIPTION	OME NITROCHARGERS, STRUTS & CARTRIDGES		STEERING STABILISERS
		FRONT	REAR	
CHRYSLER JEEP				
2008 on	Cherokee/Liberty KK ALL Models	NS131 ¹⁹	N132	
2002 to 2007	Cherokee/Liberty KJ ALL Models (OME Springs)	*NS131/NS130 ¹⁹	N132	
2006 to 2010	Grand Cherokee WH & WK	N188S ¹⁹	N190	
1998 to 2005	Grand Cherokee WJ & WG	N111 ¹³	N117	
1992 to 1998	Grand Cherokee ZJ - 6 cylinder & V8 engines	*N39/N39C	N40	OMESD40 ¹²
1984 on	Cherokee XJ - Petrol & Diesel	N35	N36	OMESD40 ¹²
To 1986	Cherokee Wagon & J10 Ute (Full Size)	N41 ¹	N56 ¹	
1974 to 1986	Cherokee W10 & J20 Utes and Cab Chassis	N41 ¹	N43	
To 1986	CJ5, 6, 7, & 8	*N41/N81 ¹	*N56/N54	
2006 on	Wrangler JK - All Models	*N196/N211	*N198/N212	
1997 to 2006	Wrangler TJ	*N66/N66C	N67 ⁶	OMESD40 ¹²
1986 to 1996	Wrangler YJ	N33	N34	OMESD40 ¹²
DAIHATSU				
1992 to 1997	Feroza II F310	*N18/N57G	*N49/N96	
1988 to 1992	Feroza I F300	*N18/N57G	N43	
1993 on	Rocky F78 Wide Track	N26F	N33	OMESD31 '86 on
1984 to 8/93	Rocky F70, F75, F80 & F85 Hard Top with Leaf Springs	OME027	N43	OMESD31 '86 on
1984 to 1993	Rocky F77 & 78 Tray Top with Leaf Springs	OME027	*N48/N97	
All	Scat Hard Top	N41/N81	*N48/N97	
FORD				
2006 on	Ranger PJ All Models	N187 ⁹	N189	
1985 to 2005	Courier/Ranger 1 Tonne	N51 ⁹	N53	
To 2001	Explorer 4x4 Only	N16	N17	
2005 to 2008	Ford F250 & F350	N195	N179	
1999 to 2004	Ford F250 & F350	N178	N179+N180 ¹¹	
1987 to 1993	Raider Wagon	N51	N53	
All	Maverick Wagon & Hard Top	*N21/N23F	*N29/N22F	To 8/89 OMESD34 9/89 on OMESD36
All	Maverick Ute & Cab Chassis	N28	N25	OMESD22
1981 to 1989	Bronco (Single I Beam Front End)	N52F	N42 ³	
1981 to 1989	Bronco (Dual I Beam Front End)	*N52F & N43 ⁴	N42 ³	
1981 to 1989	F100 4x4 & 4x2 (Single I Beam)	N52F	N42 ³	
1970 to 1980	F100 4x4 & 4x2 (Twin I Beam)	N52F	N55	
1970 to 1979	F250 4x4 & 4x2 (Twin I Beam)	N52F	N55	

NITROCHARGERS & STEERING STABILISERS

OME NITROCHARGERS,
STRUTS & CARTRIDGES

STEERING
STABILISERS

YEAR	VEHICLE DESCRIPTION	FRONT	REAR	
HOLDEN/ISUZU/CHEVY				
2003 on	Rodeo/Isuzu Pick up -RA & RA7 Models/Colorado Diesel	N65	*N42/N89	
2003 on	Rodeo/Isuzu Pick up - RA Models/Colorado V6	N150	*N42/N89	
7/81 to 2003	Rodeo/Isuzu Pick Up KB4, KBD4 & TFS	*N65/N26F	*N42/N89	
1992 to 2004	Jackaroo/Trooper & Monterey (Isuzu Wagon)	N65	N15	
11/86 to 3/92	Jackaroo/Trooper	*N65/N26F	N88 ¹⁴	
1982 to 10/86	Jackaroo/Trooper	*N65/N26F	*N42/N89	
99 to 6/2003	Frontera Wagon	*N65/N26F	N102	
1995 to 1998	Frontera 2 & 4 Door UT	N26F	N15	
1985 to 1987	Drover QB (OE Springs)	OME025	OME023	OMESD30
1985 to 1987	Drover QB (OME Springs Fitted)	OME015	OME013	OMESD30
HYUNDAI				
2001 on	Terracan V6	N170	*N172/N171	
2001 on	Terracan Diesel	N162	*N172/N171	
KIA				
2006 to 2009	Sorento All BL Models	N147S + N148S ¹⁹	N205	
02 to Late 06	Sorento All Models	N147S + N148S ¹⁹	N149	
LAND ROVER				
1999 to 2004	Discovery Series II (Not Suitable for Air Bag Models)	*N107/N107C	*N108/N108C	OMESD02
1991 to 1999	Discovery Series I	*N115/N45F	*N44/N46	OMESD11
1994 to 2001	Range Rover MK II P38A Models	N176 ¹⁷	N177 ¹⁷	
To 5/1995	Range Rover (Not Suitable for Air Bag Models)	*N115/N45F	*N44/N46	OMESD11
1984 on	Defender & County 90, 110 & 130	*N115/N45F	*N44/N46	OMESD32
To 1984	Land Rover Series I, II & III (80" & 109")	N78	N69	OMESD11
To 1984	Land Rover Series II & III (88" SWB)	N78	N90	OMESD11
MAHINDRA				
1990 to 1993	Bushranger & Stockman CJ340	*N41/N81 ¹	*N41/N81 ¹	
MAZDA				
2006 on	Mazda BT50 All Models	N187 ⁹	N189	
1987 to 2006	B2600 Pick Up All Models	N51 ⁹	N53	
MITSUBISHI				
4/2000 on	Pajero/Montero NS, NM, NP & NT (3.2 Diesel)	*N203S/N129S ¹⁹	*N204/N152	
4/2000 on	Pajero/Montero NS, NM, NP & NT Wagon & Hard Top (V6)	*N203S/N129S/ N109S ¹⁹	*N204/N152	
1991 to 3/00	Pajero/Montero (Coil Springs) NH, NJ, NK & NL	N18	N64	
1991 to 3/00	Pajero/Montero (Leaf Springs) NH, NJ, NK & NL	N18	*N56/N54	
1989 to 5/91	Pajero/Montero (Coil Springs) NF & NG	N60G	See Sport Selection	
To 4/1991	Pajero/Montero (Leaf Springs) NA, NB, NC, ND, NE, NF & NG	N60G	*N56/N54	
2009 on	Challenger/Montero Sport KH	N186S ¹⁹	N116	
2000 to 2008	Challenger/Montero Sport (Coil Springs)	N57G	N116	
1998 to 2000	Challenger/Montero Sport (Leaf Springs)	N57G	*N56/N54	
7/2006 on	Triton/L200 ML & MN All Models	N186S ¹⁹	*N59/N54	
10/96 to 6/06	Triton/L200 MK All Models	*N18/N57G	N30E	
1991 to 8/96	Triton/L200 V6 (OE Springs)	N60G	N30E	
1991 to 8/96	Triton/L200 (V6) MH & MJ	N60G	N30	
1986 to 8/96	Triton/L200 (4 Cylinder) ME, MF, MG, MH & MJ	N60G	N30	
To 1986	L200 MA, MB, MC & MD	N60G	N30	
To 9/1986	L300 Vans SA, SB, SC & SD	N60G	N89	
NISSAN				
2/2000 on	Patrol Y61 (GU) SWB & Wagon	*N19/N19C	*N29/N29C ⁷	OMESD01
1997 to 1/00	Patrol Y61 (GU) Wagon & SWB	*N19/N19C	*N29/N29C ⁷	OMESD11
1997 on	Patrol Y61 (GU) Cab Chassis (Leaf Spring Rear)	*N19/N19C	N25	
1997 on	Patrol Y61 (GU) Cab Chassis (All Coil Springs)	*N19/N19C	*N29/N29C ⁷	OMESD11
To 8/1989	Patrol Y60 (GQ) Wagon & SWB	*N21/N23F	*N29/N22F	OMESD34
9/1989 on	Patrol Y60 (GQ) Wagon, SWB & Cab Chassis	*N21/N23F	*N29/N22F	OMESD36
1988 to 7/97	Patrol Y60 (GQ) Ute & Cab Chassis (Leaf Springs)	N28	N25	OMESD22
8/83 to 1988	Patrol MQ Wagon, SWB, Ute & Cab Chassis	N49	*N48/N97	OMESD22
1980 to 7/83	Patrol MQ Wagon, SWB, Ute & Cab Chassis	*N47/N96	*N48/N97	OMESD22
1967 to 1979	Patrol 60 & G60 Series	N49	N49	OMESD22

NITROCHARGERS & STEERING STABILISERS

OME NITROCHARGERS,
STRUTS & CARTRIDGES

STEERING
STABILISERS

YEAR	VEHICLE DESCRIPTION	FRONT	REAR	
NISSAN (continued)				
2005 on	Pathfinder R51	N183S ¹⁹	N184	
2/99 to 2005	Pathfinder R50	Product Under Review	N104	
1996 to 1/99	Pathfinder R50	Product Under Review	N61	
1986 to 8/95	Pathfinder/Terrano WD21	N26F	*N42/N89	OMESD35
2005 on	Navara D40	N183S ¹⁹	N185	
10/2002 on	Navara D22	N151 ⁵	*N59/N56	
1/86 to 8/02	Navara D21 & D22 Pick Up	N58 ⁵	*N59/N56	OMESD35 ¹⁵
1/1986 on	Navara D21 & D22 Pick Up 4x2	*N18/N57G ⁵	*N41/N81	
1996 to 2005	Terrano II 4x4 (European Models) (OE Springs)	N26F	N30	
1980 to 1985	720 Ute & Cab Chassis	*N18/N57G ⁵	*N42/N89	
SUZUKI				
2009 on	Equator (US Market Only)	N183S ¹⁹	N185	
2001 to 2005	XL7 Wagon V6	N103S ²⁰	N105	
8/05 to 2008	Grand Vitara Wagon Models	N217S + N218S ²¹	OME036 ²¹	
1995 to 2005	Grand Vitara 4 & 6 Cylinder	N103S	N105	
7/88 to 2005	Vitara TA01 & TD01 & Wagon	N103S	N105	
7/88 to 2005	Vitara TA012 TD01 SWB	N103S	N32	
All	Jimny SN413 (OE Springs)	OME028	OME030¹⁸	
All	Jimny SN413 (OME Springs)	OME028	OME029	
To 2004	Santana Samurai All Models	OME034	OME035	OMESD30 ¹⁶
1982 to 1995	Sierra SJ410 & SJ413 Ute MG410 / WT1000cc (OME Springs)	OME015	OME013	OMESD30 ¹⁶
1988 to 1996	Sierra SJ70, SJ71, SJ413, MG410 / WT1300cc (OME Springs)	OME025	OME013	OMESD30 ¹⁶
1978 to 12/81	LJ80 & LJ80V SWB (OME Springs)	OME015	N43	OMESD30 ¹⁶
1978 to 12/81	LJ80 & LJ80V SWB (OE Springs)	OME025	N/A	OMESD30¹⁶
1978 to 12/81	LJ80 Ute (OME Springs)	OME015	OME013	OMESD30
1974 to 12/81	540, LJ10, LJ20 & LJ50 (OME Springs)	OME015	OME013	
SSANGYONG				
To 2005	Musso, Sport Utility & Korando Models	N65	N118	
TOYOTA				
2007 on	LandCruiser 200 Series V8	N208S ¹⁰	*N210/N209	
3/1998 on	LandCruiser 100 Series (IFS)	*N199/N133/N100	*N200/N101/N101C ²	
3/1998 on	LandCruiser 100 & 105 Series (Front Live Axle)	*N73/N70	*N74E/N71E ²	OMESD24
4/90 to 1998	LandCruiser 80 Series	*N73/N70	*N74E/N71E ²	OMESD24
4/2003 to 09	Prado 120 Series (Except TEMS/Grande Models)	*N201S/N140S/ N139S ¹⁹	*N202/N142/N141	
7/96 to 10/02	Prado 95 & KZJ90 Series	*N91S/N91SC	*N86/N86C	
2007 on	LandCruiser 78 & 79 Series V8 Diesel Model	*N181/N106	*N197/N75E	OMESD47
2007 on	LandCruiser 76 Series Wagon - V8	*N181/N106	*N197/N75E	OMESD47
1999 to 2006	LandCruiser 78 & 79 Series - 6 cylinder models	N106	*N75F/N75E ²	OMESD24
1985 to 1999	LandCruiser 75 Series	*N50/N88	*N75F/N75E ²	OMESD24
All	LandCruiser II LJ/RJ70, LJ/KZJ71 & LJ/KZJ78 Models	N77	N79	OMESD24
1984 to 1990	LandCruiser Bundera, SWB, LJ70 & RJ70 Series	N114	N112&N113	
1985 on	LandCruiser 70,73 & 74 Series	*N50/N88/N92	*N85/N94	OMESD24
All	LandCruiser HZJ71 & HJZ74 Series	N106	N68	OMESD24
1986 to 3/90	LandCruiser 60,61 & 62 Series (Rear Lower Pin 19mm)	*N50/N88/N92	*N90/N85/N94	OMESD24
1980 to 1986	LandCruiser 60 Series (Rear Lower Pin 16mm)	*N50/N88/N92	*N42/N89/N95	OMESD24
1980 to 1986	LandCruiser 60 Series (OE Springs)	N50	N42	OMESD24
1986 to 3/90	LandCruiser 60 Series (OE Springs)	N50	N90	OMESD24
To 11/1980	LandCruiser FJ55	N43	N42	
To 12/1984	LandCruiser 45 & 47 Series	*N41/N81	*N42/N89	OMESD23
To 12/1984	LandCruiser BJ, FJ & HJ 40 & 42 Series All Models	*N41/N81	*N89/N95	OMESD23
To 12/1984	LandCruiser BJ, FJ & HJ 40 & 42 Series All Models (OE Springs)	N41	N42	OMESD23
2005 on	Fortuner	*N167S/N166S ¹⁹	N191	
2006 to 2010	FJ Cruiser	N140S ¹⁹	N141	
2005 on	HiLux Vigo KUN26R, GGN25R	*N167S/N166S ¹⁹	*N169/N168	
9/97 to 2004	HiLux Tiger LN172, LN167, KZN 165, RZN174 & RZN169 (IFS)	*N87/N80	*N75&N75E/ N68&N68E ⁸	OMESD33
9/83 to 8/97	HiLux LN65, YN65, LN106 & RN105 (All Leaf Suspension)	*N93/N84	*N85/N94	OMESD21
9/83 to 8/97	HiLux LN65, YN65, LN106 & RN105 (OE Springs)	N84	*N90/N85	OMESD21

NITROCHARGERS & STEERING STABILISERS

OME NITROCHARGERS,
STRUTS & CARTRIDGES

STEERING
STABILISERS

YEAR	VEHICLE DESCRIPTION	FRONT	REAR	
TOYOTA (continued)				
1988 to 8/97	HiLux/4 Runner LN107, RN105, RN110 & LN111 (IFS)	N98	*N85/N94	
1988 to 8/97	HiLux/4 Runner LN107, RN105, RN110 & LN111(IFS)(OE Springs)	N98	*N90/N85	OMESD33
To 8/1983	HiLux LN46 & RN46 (All Leaf) (Rear Lower Pin 16mm)	*N93/N84	*N89/N95 ²	OMESD21
To 8/1983	HiLux LN46 & RN46 (All Leaf) (Rear Lower Pin 16mm)(OE Springs)	N84	*N42/N89	OMESD21
2003 on	4 Runner (USA)	N140S ¹⁹	N142	
1996 to 2002	4 Runner Front & Rear Coil Springs (USA)	*N91S/N91SC	N86/N86C	
1990 to 1996	4 Runner (IFS) Front Torsion Bar/Rear Coil Springs	N98	N72F	OMESD33
1986 to 1990	4 Runner (IFS) Rear Leaf Springs (OE Springs)	N98	N85/N94	OMESD33
1986 to 1990	4 Runner (IFS) Rear Leaf Springs	N98	N85/N94	OMESD33
1984 to 1986	4 Runner (Front Live Axle) (OE Springs)	N84	N90/N85	OMESD21
1984 to 1986	4 Runner (Front Live Axle)	N93/N84	N85/N94	OMESD21
1982 to 1983	Blizzard	*N41/N81	N48	
1997 to 2003	Kijang (4th Gen.)	N128	N56	
2005 to 2010	Tacoma V6	N140S ¹⁹	N182	
To 2004	Tacoma V6	*N91S/N91SC	N85	
2007 on	Tundra	N192S ¹⁹	N193	
VOLKSWAGEN				
1985 to 1990	Syncro 4x4	N38S	N37	

NOTES: *first part number has firmer valving.

- 1983 and on wide track CJ Jeeps require bush kit OMEB27 for the front lower mount and all Cherokee wagons and Mahindra lower front and rear mounts.
- Shock lower body stone guards are recommended fitment to rear shocks to protect against severe stone peppering encountered on loose road surfaces. OME661 (suit LandCruiser 80 & 100 Series only) OME660 (all other models).
- 1981 on F100 and Bronco require bush kit OMEB27 on bottom rear mount.
- Ford dual shocks. N43 fitted in front of N52F.
- It may be necessary to slightly increase the clearance in the front wishbone to allow the shock absorber to fit. Do not modify the shock absorber.
- FK16 20mm bump stop spacer kit **mandatory** fitment.
- FK18 rear sway bar extension bracket for LWB models and FK24 for SWB models are **mandatory** fitment with Nitrochargers to prevent damage to sway bar due to increased wheel droop.
- N75E and N68E are 20mm longer and must only be installed to right hand side.
- FK22 support brackets must be installed to upper shock mounting brackets on late 1996 on models manufactured in Thailand.
- N208S can only be installed with OME Coil Springs. No top mounting bushes supplied, re-use OE bushes.
- N179 suits models with single rear shock set up. Models with twin rear shocks require N179 fitment rear of axle, N180 front of axle, also fitment of OME660 stone shields are recommended on the N180.
- OMESD40 will only fit left hand drive models.
- To obtain maximum ride quality improvement it is recommended that an OME replacement stabiliser bar (OMESTAB1) be fitted.
- OMEB11 bush kit is required to convert lower 19mm bush to 16mm ID.
- OMESD35 will suit D21 models only.
- Only suitable for models equipped with original steering damper.
- Shocks are the same length as OE.
- OME030 is shorter than OME029 and must be used with OE coils to ensure coils remain entrapped.
- No top mounting bushes supplied, re-use OE bushes.
- FK28 Bump Stop Spacer Kit is a mandatory fitment with N103S Struts.
- N217S, N218S and OME036 available July 2011.

Note: Replacement dust boot part numbers: Nitrocharger OME412422

COMPACT AWD - OME SPRING & SHOCK ABSORBER

YEAR	VEHICLE DESCRIPTION	LIFT F/R (mm)	FRONT	UNIT PRICE	REAR	UNIT PRICE
DAIHATSU						
97 to 2006	Terios J100 J102	20/20	2531		2532	
FORD						
To 06/2006	Escape BA ZA AB	30/30	2904		2905	
2004 to 10/07	Territory SX SY AWD (4WD)	20/30	2533		2534	
GM / OPEL						
2006 on	Captiva, Antara - V6 (3.2) & Diesel	20/30	2529		2530	
HONDA						
01/2007 on	CRV	20/20	2535		2536	
12/01 to 01/07	CRV MY 2002 MY 2005	-/20	CANNOT LIFT		2538	
10/97 to 11/01	CRV RD	30/30	2797		2798	
HYUNDAI						
05/06 to 8/08	Santa Fe CM V6 (2.7) & Diesel	20/30	2527		2528	
2000 to 2005	Santa Fe	10/20	2907		2908	
	OME Front - Cartridge, Rear - OME Gas		NC160 ¹		OME033	
KIA						
2005 on	Sportage V6 & Diesel KM Models	20/20	2525		2526	
1997 to 2003	Sportage JA MY02 MY03 - V6	20/30	2523		2524	
LAND ROVER						
11/00 to 1/04	Freelander V6 & 2Ltr Diesel DOHC - Wagon	10/20	2502		2503	
To 10/2000	Freelander 4 Cylinder Petrol Wagon	10/20	2504		2505	
	OME Cartridge to Suit OME Springs		NC137 ¹		NC138 ¹	
To 10/2000	Freelander V6 & 2Ltr Diesel DOHC	10/20	2500		2501	
	OME Cartridge to Suit OME Springs		NC137 ¹		NC138 ¹	
LEXUS						
2003 on	RX-330 4WD MCU38R MY05 - V6	20/30	2509		2510	
MAZDA						
To 06/2006	Tribute YU MY03 MY04	30/30	2904		2905	
NISSAN						
2007 on	X-Trail Petrol	25/25	2511		2512	
	X-Trail Diesel	25/25	2513		2512	
2001 to 10/06	X-Trail: Front - Petrol - OME506, Diesel - OME507	20/30	2506 / 2507		2508	
	OME Strut to Suit OME Springs		N213S+N214S		N215S+N216S	
SUBARU						
7/02 to 2005	Forester MY03 MY04 MY05	20/20	2519		2520	
9/03 to 2006	Outback 4th Gen MY04 MY05 MY06 4Cyl	20/20	2516		2518	
9/03 to 2006	Outback 4th Gen MY04 MY05 MY06 6Cyl	20/20	2517		2518	
TOYOTA						
2003 to 04/07	Kluger / Highlander MCU20R - V6	20/20	2509		2510	
01/2006 on	Rav 4 LWB ACA33R - 4 Cylinder	30/30	2539		2540	
07/00 to 08/05	Rav 4 SWB & LWB ACA20R ACA21R - Diesel	40/40	2799		2795	
07/00 to 08/05	Rav 4 SWB & LWB ACA20R ACA21R - Petrol	40/40	2793		2795	
	OME Struts / Gas Shocks to Suit OME Springs		No longer Available		OME031	
To 2000	Rav 4 LWB SXA11R MY98 MY99 - Petrol	25/25	2793		2794	
	OME Struts / Gas Shocks to Suit OME Springs		No longer Available		OME031	
To 2000	Rav 4 SWB SXA11R MY98 MY99 - Petrol	25/25	2793		2796	
	OME Struts / Gas Shocks to Suit OME Springs		No longer Available		OME031	

NOTES:

1. Refer to pages 122 - 123 for fitting instructions.

LTR REMOTE CANISTERS

LTR SHOCKS

YEAR	VEHICLE DESCRIPTION	FRONT	REAR
LAND ROVER			
91 to 99	Discovery Series I	LTR04F R&L	LTR04R
84 on	Defender & County 90, 110 & 130	LTR05F	LTR05R R&L ⁴
NISSAN			
2/00 on	Patrol Y61 (GU) Series II SWB & Wagon	LTR07F	LTR07R ¹
97 to 1/00	Patrol Y61 (GU) Series I Wagon & SWB	LTR07F	LTR07R ¹
97 on	Patrol Y61 (GU) Cab Chassis (All Coil Springs)	LTR07F	LTR07R ¹
To 8/89	Patrol Y60 (GQ) Wagon & SWB	LTR02F	LTR02R
9/89 on	Patrol Y60 (GQ) Wagon, SWB & Cab Chassis	LTR02F	LTR02R
TOYOTA			
3/98 on	LandCruiser 100 Series (IFS)	LTR06F	LTR06R R&L ²
3/98 on	LandCruiser 105 Series (Front Live Axle)	LTR01F	LTR03R R&L ²
4/90 to 98	LandCruiser 80 Series	LTR01F	LTR01R R&L ²
99 to 2006	LandCruiser 78 & 79 Series (6 cylinder models only)	LTR09F	LTR09R R&L
9/97 to 04	HiLux LN172, LN167, KZN165, RZN174 & RZN169 (IFS)	LTR08FL/FR	LTR08RL/RR ³

NOTES:

- FK18 rear sway bar extension bracket for all models without detachable sway bar and FK24 for all models with detachable sway bar are mandatory fitment with Nitrochargers to prevent damage to sway bar due to increased wheel droop.
- Fitment of a rear stone flap kit is mandatory to the control arms to prevent stone damage to the shock absorber. OME662 suits models with 34mm diameter. OME664 suits models with 43mm diameter.
- Fitment of OME663 stone flap kit is **mandatory** to prevent damage to piston rod from stone pepping.
- LTR05R suits early model defenders where the fuel pump is **not** mounted inside of the right rear mud guard.

Note: Replacement dust boot part numbers: LTR OME512422 - Large
Replacement dust boot part numbers: LTR OME412422 - Small

GASSING REMOTE CANISTER SHOCK ABSORBERS

The only recommended gas to use in LTR shock absorbers is Nitrogen. A Schrader valve, part number 2755, from Schrader Automotive Inc is required to guarantee correct pressure is reached. When using a Schrader valve to gas your LTR Shock absorber first set the pressure gauge to the required pressure. Attach the Schrader valve to the air fitting at the end of the remote canister. Gas the canister until the shock absorber shaft is fully extended, hold gas pressure for 30 seconds, release Schrader valve and remove.

Note: This can be done for you by your Old Man Emu Stockist.

Important: Gassing of your LTR shock absorber should be carried out before fitment to the vehicle. If LTRs are already fitted the vehicle's suspension should be at full extension before gassing.

MINIMUM/MAXIMUM GAS PRESSURE

On Road/Off Road 40-80psi (2.8 - 5.5 BAR)
Competition 80-100psi (5.5 - 6.9 BAR)
An increase in gas pressure firms up ride quality but will not alter ride height

MAINTENANCE

The following checks need to be carried out as part of regular vehicle maintenance.

To ensure maximum cooling of your LTR shock absorber inspect the shock absorber body and canister for any mud and debris build up and clean if necessary

Check that the polyurethane boot is securely fastened in place and that it is not damaged. If the boot is found to be detached thoroughly clean the shock absorber shaft and inside the boot before reattaching it.

Ensure all polyurethane bushes, locating washers and nuts are in good condition and securely fastened.

To ensure maximum shock absorber performance check gas pressure every 20,000km

COMPETITION SHOCKS & SPRINGS SELECTION

WARNING

WARRANTY EXCLUSION DISCLAIMER

Due to the unusual component design requirements and the severe nature of competition usage, the normal Old Man Emu product warranty conditions do not apply to any products listed on this page.

NISSAN PATROL Y60 & Y61 MODELS						
COMPETITION SHOCKS AND COIL SPRINGS						
Lift	Location	Coil Spring Part No.	Coil Rate	Coil Length (mm)		Shock Part No.
				A	B	
75mm	FRONT	2412	250 LBS	460	445	60013L
	REAR	2415	290 LBS	510	495	60015L
100mm	FRONT	2413	250 LBS	485	470	60013L
	REAR	2416	290 LBS	535	520	60015L
125mm	FRONT	2414	250 LBS	510	495	N/A
	REAR	2417	290 LBS	560	545	N/A
TOYOTA LANDCRUISER 80 & 100 SERIES MODELS						
COMPETITION SHOCKS AND COIL SPRINGS						
Lift	Location	Coil Spring Part No.	Coil Rate	Coil Length (mm)		Shock Part No.
				A	B	
75mm	FRONT	2418	300 LBS	505	515	60070L
	REAR	2421	280 LBS	480	490	60071L
100mm	FRONT	2419	300 LBS	530	540	60070L
	REAR	2422	280 LBS	505	515	60071L
125mm	FRONT	2420	300 LBS	555	565	N/A
	REAR	2423	280 LBS	530	540	N/A

IMPORTANT:

The products listed in this selection chart are deemed by Old Man Emu to be suitable only for Off Road use and their legality for public road use should be certified by the relevant Registration Authority.

Modifications and replacement of other associated components will be required.

Lift increase is approximate and based on standard vehicle weights.

NITROCHARGER SPORT L SERIES						
Vehicle	Front	Open (mm)	Closed (mm)	Rear	Open (mm)	Closed (mm)
Jeep JK	60066L	693	404	60067L	706	422
Jeep XJ	60052L	678	392	60053L	622	366
Jeep TJ	60047L	678	392	60049L	622	366
Patrol Y60, Y61	60013L	555	322	60015L	716	426
LandCruiser 80, 100	60070L	667	381	60071L	673	387
Discovery I to 99	60037L	593	349	60039L	600	366
Discovery II to 04	60024L	627	388	60025L	627	388
Defender 90, 110, 130	60037L	593	349	60039L	600	366
Range Rover to 5/95 Non Airbag Models	60037L	593	349	660039L	600	366

Remarks

Refer to page 101 of the OME International Application Catalogue for open and closed lengths of equivalent standard Nitrocharger Sport models.

Warranty Implications

The fitter selling these shocks **must** inform the customer there is **no warranty** due to the severe nature of competition racing. The fitter must also note on the customer's receipt "racing application no warranty applies". This will prevent any future misunderstanding.

JEEP GRAND CHEROKEE WH / WK TO 2010

FRONT <i>Estimated Lift: 50mm</i>	V8 PETROL & DIESEL		
	PART NUMBER	QTY	UNIT PRICE \$
SPRING: TO 40 KGS	2990	1	
STRUT	N188S 1	2	
SPRING: 41 TO 100 KGS	2991	1	
STRUT	N188S 1	2	

REAR <i>Estimated Lift: 55mm</i>	ALL MODELS		
	PART NUMBER	QTY	UNIT PRICE \$
SPRING: MEDIUM LOAD	2992	1	
NITROCHARGER	N190	2	
SPRING: HEAVY LOAD	2993	1	
NITROCHARGER	N190	2	

REMARKS:

- 1 No top mounting bushes supplied, re-use OE bushes.

JEEP GRAND CHEROKEE WJ & WG

FRONT <i>Estimated Lift: 40mm</i>	V6 & V8 PETROL ENGINES			DIESEL ENGINES		
	PART NUMBER	QTY	UNIT PRICE \$	PART NUMBER	QTY	UNIT PRICE \$
SPRING: TO 40 KGS	2935	1		2936	1	
NITROCHARGER	N111	2		N111	2	
SPRING: 41 TO 90 KGS	2936	1		2936 2	1	
NITROCHARGER	N111	2		N111	2	
TRIM PACKER	OMEWJPF10			OMEWJPF10 2		
STABILISER BAR	OMESTAB1 1	1		- 1	-	

REAR <i>Estimated Lift: 40mm</i>	ALL MODELS		
	PART NUMBER	QTY	UNIT PRICE \$
SPRING: MEDIUM LOAD	2944	1	
NITROCHARGER	N117	2	
SPRING: HEAVY LOAD	2945	1	
NITROCHARGER	N117	2	
TRIM PACKER	OMEWTJPR10		

REMARKS:

- 1 OMESTAB1 is a lighter rate OME replacement stabiliser bar which is a recommended fitment so maximum ride quality improvement can be obtained. (OMESTAB1 does not suit Diesel Models).
- 2 Add 1 only OMEWJPF10 Trim Packer to increase ride height for vehicles with Bull Bar and Winch.

JEEP GRAND CHEROKEE ZJ

FRONT <i>Estimated Lift: 20 - 25mm</i>	6 CYLINDER & V8 ENGINES		
	PART NUMBER	QTY	UNIT PRICE \$
SPRING: TO 40 KGS	2931	1	
	2934	1	
NITROCHARGER	*N39 / N39C	2	
SPRING: 41 TO 90 KGS	2930	1	
	2934	1	
NITROCHARGER	N39	2	
STEERING DAMPER	OMESD40	1	
COIL PACKER	OMEJGF10		

REMARKS:

- 1** 2931 and 2930 suit 6 cylinder models. 2934 suits V8 models.
- 2** OMESD40 will only fit left hand drive models.

REAR <i>Estimated Lift: 20 - 25mm</i>	ALL MODELS		
	PART NUMBER	QTY	UNIT PRICE \$
SPRING: MEDIUM LOAD	2940	1	
NITROCHARGER	N40	2	
SPRING: CONSTANT 100 KGS	2943	1	
NITROCHARGER	N40	2	
COIL PACKER	OMEJGR10		

JEEP CHEROKEE XJ WAGON 1984 ON

FRONT <i>Estimated Lift: 35 - 45mm</i>	PETROL & DIESEL ENGINES		
	PART NUMBER	QTY	UNIT PRICE \$
SPRING:	2930	1	
NITROCHARGER SPORT	60052	2	
NITROCHARGER	N35		
TRIM PACKER	OMEJGF10	1	
STEERING DAMPER	OMESD40	1	

Warning:

XJ Models fitted with a 3 bolt engine exhaust pipe flange, can experience a clearance problem with the tail shaft, when suspension is under full deflection. Fitment of an adjustable front panhard rod or a change to the smaller 2 bolt flange will provide the required clearance.

REAR <i>Estimated Lift: 50mm</i>	ALL MODELS		
	PART NUMBER	QTY	UNIT PRICE \$
SPRING: LIGHT LOAD	CS034RA / B	1 + 1	
NITROCHARGER SPORT	60053	2	
NITROCHARGER	N36		
SPRING: MEDIUM LOAD	CS035RA / B	1 + 1	
NITROCHARGER SPORT	60053	2	
NITROCHARGER	N36		
SPRING BUSH KIT	OE		
U BOLTS	OMEU60	4	
	OMEU57		
GEARBOX PACKER KIT	XJGK01	1	

REMARKS:

- 1** OMEU60 suits Dana 35 type differential - Australian models. OMEU57 suits AMC 8¹/₄ type differential.
- 2** Trimming requirement greater than 10mm use A/A fitment. Where near level rake is desired B/B fitment should be used. D22XL extra leaf can be fitted to CS034RA/B and CS035RA/B for heavier constant load carrying ability.
NB: Models fitted with OE Up Country Suspension pack will only be raised by 20mm.
- 3** OMEJGF10 front coil packer can be used for trimming or extra lift purposes, using no more than 1 packer.
- 4** Fit XJGK01 gearbox packer kit should a driveline vibration occur.
- 5** OMESD40 will only fit left hand drive models.

JEEP CHEROKEE/LIBERTY KK

FRONT <i>Estimated Lift: 30 - 40mm</i> 1	V6 3.7L PETROL ENGINES			2.8 CRD DIESEL ENGINES		
	PART NUMBER	QTY	UNIT PRICE \$	PART NUMBER	QTY	UNIT PRICE \$
SPRING: TO 50 KGS	2926	1		2927	1	
STRUT - SPORT	90009	2		90009	2	
STRUT	NS131 2			NS131 2		
SPRING: 51 TO 100 KGS	2927	1		2790	1	
STRUT - SPORT	90009	2		90009	2	
STRUT	NS131			NS131 2		

REAR <i>Estimated Lift: 40mm</i>	ALL MODELS		
	PART NUMBER	QTY	UNIT PRICE \$
SPRING: MEDIUM LOAD	2730	1	
NITROCHARGER SPORT	60069	2	
NITROCHARGER	N132		
SPRING: CONSTANT 100 KGS	2731	1	
NITROCHARGER SPORT	60069	2	
NITROCHARGER	N132		

REMARKS:

- 1 Due to varying OE ride heights, some KK models may only achieve a 20mm lift.
- 2 No top mounting bushes supplied, re-use OE bushes.

JEEP CHEROKEE/LIBERTY KJ

FRONT <i>Estimated Lift: 30 - 40mm</i> 1	PETROL ENGINES			DIESEL ENGINES		
	PART NUMBER	QTY	UNIT PRICE \$	PART NUMBER	QTY	UNIT PRICE \$
SPRING: NO ACCESSORIES	2925	1		2926	1	
STRUT - SPORT	90009	2		90009	2	
STRUT	NS130 2			NS130 2		
SPRING: TO 50 KGS	2926	1		2927	1	
STRUT - SPORT	90009	2		90009	2	
STRUT	NS131 2			NS131 2		
SPRING: 51 TO 100 KGS	2927	1		2790	1	
STRUT - SPORT	90009	2		90009	2	
STRUT	NS131 2			NS131 2		

REAR <i>Estimated Lift: 40mm</i>	ALL MODELS		
	PART NUMBER	QTY	UNIT PRICE \$
SPRING: LIGHT LOAD	2947	1	
NITROCHARGER SPORT	60069	2	
NITROCHARGER	N132		
SPRING: MEDIUM LOAD	2948	1	
NITROCHARGER SPORT	60069	2	
NITROCHARGER	N132		

REMARKS:

- 1 Due to varying OE ride heights, some KJ models may only achieve a 20mm lift.
- 2 No top mounting bushes supplied, re-use OE bushes.

CHRYSLER JEEP

JEEP WRANGLER JK 2 DOOR 2006 ON

FRONT <i>Estimated Lift: 50 mm</i>	V6 PETROL ENGINE			2.8 DIESEL ENGINE		
	PART NUMBER	QTY	UNIT PRICE \$	PART NUMBER	QTY	UNIT PRICE \$
SPRING: NO BAR	2626	1		2627	1	
SPRING: BAR	2615	1		2616	1	
SPRING: BAR AND WINCH	2627	1		2628	1	
NITROCHARGER SPORT	60066	2		60066	2	
NITROCHARGER	*N196 / N211			*N196 / N211		
TRIM PACKER	OMEJKPF10			OMEJKPF10		

REAR <i>Estimated Lift: 50mm</i>	ALL MODELS		
	PART NUMBER	QTY	UNIT PRICE \$
SPRING: MEDIUM LOAD	2630	1	
SPRING: CONSTANT 150 KGS	2617	1	
NITROCHARGER SPORT	60067	2	
NITROCHARGER	*N198 / N212		
PANHARD ROD EXTENSION BKT KIT - LEFT HAND DRIVE	FK37	1	
PANHARD ROD EXTENSION BKT KIT - RIGHT HAND DRIVE	FK39	1	
TRIM PACKER	OMEJKPR10		

REMARKS:

- 1** For trim adjustment use - Front: OMEJKPF10 Rear: OMEJKPR10
- 2** Fitment of Panhard rod extension bracket kit is not mandatory, but fitment will improve the ride feel by locating the panhard rod to its original position

JEEP WRANGLER JK UNLIMITED 2006 ON

FRONT <i>Estimated Lift: 50 mm</i>	V6 PETROL ENGINE			2.8 DIESEL ENGINE		
	PART NUMBER	QTY	UNIT PRICE \$	PART NUMBER	QTY	UNIT PRICE \$
SPRING: NO BAR	2627	1		2628	1	
SPRING: BAR	2616	1		2619	1	
SPRING: BAR AND WINCH	2628	1		2629	1	
NITROCHARGER SPORT	60066	2		60066	2	
NITROCHARGER	*N196 / N211			*N196 / N211		
TRIM PACKER	OMEJKPF10			OMEJKPF10		

REAR <i>Estimated Lift: 50mm</i>	ALL MODELS		
	PART NUMBER	QTY	UNIT PRICE \$
SPRING: MEDIUM LOAD	2617	1	
SPRING: CONSTANT 150KGS	2618	1	
SPRING: CONSTANT 300KGS	2620	1	
NITROCHARGER SPORT	60067	2	
NITROCHARGER	*N198 / N212		
PANHARD ROD EXTENSION BKT KIT - LEFT HAND DRIVE	FK37	1	
PANHARD ROD EXTENSION BKT KIT - RIGHT HAND DRIVE	FK39	1	
TRIM PACKER	OMEJKPR10		

REMARKS:

- 1** For trim adjustment use - Front: OMEJKPF10 Rear: OMEJKPR10
Do not fit more than 1 packer per coil spring.
- 2** Fitment of Panhard rod extension bracket kit is not mandatory, but fitment will improve the ride feel by locating the panhard rod to its original position.

JEEP WRANGLER TJ & TJ UNLIMITED

FRONT <i>Estimated Lift: 50mm</i>	6 CYLINDER ENGINE		
	PART NUMBER	QTY	UNIT PRICE \$
SPRING: TO 40 KGS	2932 1	1	
NITROCHARGER SPORT	*60047 / 60046 6	2	
NITROCHARGER	*N66 / N66C		
SPRING: 41 TO 80 KGS	2933 1	1	
NITROCHARGER SPORT	*60047 / 60046 6	2	
NITROCHARGER	N66		
TRIM PACKER	OMEJGF10		
STEERING DAMPER	OMESD40 5	1	

REAR <i>Estimated Lift: 50mm</i>	2 DOOR			UNLIMITED		
	PART NUMBER	QTY	UNIT PRICE \$	PART NUMBER	QTY	UNIT PRICE \$
SPRING: SOFT TOP	2941 1	1		2949	1	
NITROCHARGER SPORT	60048	2		60049	2	
NITROCHARGER	N67		N67			
SPRING: HARD TOP	2941 1	1		2949	1	
NITROCHARGER SPORT	60048	2		60049	2	
NITROCHARGER	N67		N67			
SPRING: CONSTANT 100 KGS	2942 1	1		-		
NITROCHARGER SPORT	60048	2		-		
NITROCHARGER	N67		-			
SPRING: CONSTANT 200 KGS	2949 6	1		2996	1	
NITROCHARGER SPORT	60049	2		60049	2	
NITROCHARGER	N67		N67			
PANHARD ROD BRACKET KIT	FKWTJ01 2	1		FKWTJ01 2	1	
	FKWTJ02		FKWTJ02			
TRIM PACKER	OMEWTJPR10			OMEWTJPR10		
GEARBOX PACKER KIT		3	1		3	1
BUMPER STOP SPACER KIT	FK16 4	1		FK16 4	1	

REMARKS:

- 1** For ride height and trim adjustment use - Front: OMEJGF10 Rear: OMEWTJPR10
- 2** FKWTJ01 panhard rod extension bracket kit fitment to right hand drive or FKWTJ02 to left hand drive models is mandatory to ensure correct rear axle tracking.
- 3** A Gear box packer kit is mandatory fitment to prevent driveline vibration.
JWGK01 suits all models to 2003.
JWGK02 suits manual models from 2003.
JWGK03 suits auto models from 2003.
- 4** FK16: Mandatory fitment 20mm bump stop spacer kit to prevent coil springs becoming solid on full compression.
- 5** OMESD40 only suitable for fitment to left hand drive models.
- 6** To achieve optimal vehicle balance front to rear when Rear Spring 2949 is fitted, it is recommended that only 60047 is fitted to the front.

JEEP WRANGLER YJ 1986 - 1996

FRONT <i>Estimated Lift: 40 - 50mm</i>	PETROL ENGINES		
	PART NUMBER	QTY	UNIT PRICE \$
SPRING: TO 35 KGS: 50mm	CS014F	2	
NITROCHARGER	N33	2	
SPRING: TO 95 KGS: 40mm	CS014F	2	
NITROCHARGER	N33	2	
SPRING BUSH KIT	OMESB57	2	
	OMESB87		
GEAR BOX PACKER KIT	JWVK01	1	
GREASABLE SHACKLE KIT	OMEKS11	1	
STEERING DAMPER	OMESD40	1	

REAR <i>Estimated Lift: 50mm</i>	ALL MODELS		
	PART NUMBER	QTY	UNIT PRICE \$
SPRING: HARD TOP MEDIUM LOAD TO 200 KGS	CS036R	2	
NITROCHARGER	N34	2	
SPRING: SOFT TOP LIGHT LOAD	CS037R	2	
NITROCHARGER	N34	2	
SPRING BUSH KIT	OMESB57	2	
	OMESB87		
GREASABLE SHACKLE KIT	OMEKS11	1	

REMARKS:

- 1** JWVK01 fitment reduces driveline vibration.
- 2** Use OMESB57 with original shackles. OMESB87 with OMEKS11 greasable shackles.
- 3** OMESD40 will only fit left hand drive models.

RANGER PJ/PK 12/2006 ON ALL MODELS (NOT USA MANUFACTURED MODEL)

FRONT	PETROL & DIESEL ENGINES		
	PART NUMBER	QTY	UNIT PRICE \$
TORSION BARS: OVER 60 KGS	303013	1	
NITROCHARGER SPORT	60022	2	
NITROCHARGER	*N194 / N187 ¹		
FITTING KIT	FK22 ¹	1	

REAR <i>Estimated Lift: 20mm</i>	ALL MODELS		
	PART NUMBER	QTY	UNIT PRICE \$
SPRING: MEDIUM LOAD	CS056R ²	2	
NITROCHARGER SPORT	60023	2	
NITROCHARGER	N189		
SPRING: CONSTANT 200 KGS	CS049R ²	2	
NITROCHARGER SPORT	60023	2	
NITROCHARGER	N189		
SPRING: CONSTANT 400 KGS	CS060R ²	2	
NITROCHARGER SPORT	60023	2	
NITROCHARGER	N189		
GREASABLE SHACKLE KIT	OMEGS18	1	
U BOLTS	OMEU66	4	
	OMEU66A ³		
SPRING BUSH KIT	OMESB97	2	

REMARKS:

Note: Some South American models, built in Argentina, use torsion bars with hexagonal ends. Above OME Suspension is not suitable for these Models.

- 1** FK22 Front Shock absorber upper mount support bracket kit is a mandatory fitment.
- 2** Include Tray Weight in Constant Load Calculation.
- 3** Use OMEU66 when fitting CS056R and CS049R. Use OMEU66A when fitting CS060R.

COURIER/RANGER 1 TONNE 1985 - 2005 ALL MODELS (NOT USA MANUFACTURED MODEL)

FRONT	PETROL & DIESEL ENGINES		
	PART NUMBER	QTY	UNIT PRICE \$
TORSION BARS: OVER 60 KGS	303005	1	
NITROCHARGER SPORT	60022	2	
NITROCHARGER	N51 ¹		
FITTING KIT	FK22	1	

REAR <i>Estimated Lift: 20mm</i>	ALL MODELS		
	PART NUMBER	QTY	UNIT PRICE \$
SPRING: MEDIUM LOAD	CS026R ²	2	
NITROCHARGER SPORT	60023	2	
NITROCHARGER	N53		
SPRING: CONSTANT 200 KGS	CS027R ²	2	
NITROCHARGER SPORT	60023	2	
NITROCHARGER	N53		
U BOLTS	OMEU65	4	
GREASABLE SHACKLE KIT	OMEGS18	1	
SPRING BUSH KIT	OMESB82	2	

REMARKS:

- 1** FK22 support brackets must be installed to upper front shock mounting brackets on late 1996 on models manufactured in Thailand.
- 2** Include Tray Weight in Constant Load Calculation.

FORD EXPLORER 1996 - 2001 REAR

FRONT	V6 PETROL ENGINE		
	PART NUMBER	QTY	UNIT PRICE \$
TORSION BARS	-	1	
NITROCHARGER	N16	2	

REAR <i>Estimated Lift: 40 mm</i>			
	PART NUMBER	QTY	UNIT PRICE \$
SPRING: MEDIUM LOAD	CS042R	2	
NITROCHARGER	N17	2	

REMARKS:

- 1** Raise or lower front end clearance and trim vehicle by adjusting front torsion bars. Important: A minimum of 60mm of droop must be maintained.
- 2** OE spring bushes are required to fit CS042R springs. D10XL extra leaf should be fitted when a constant 200kg plus load is carried.

FORD F250 & F350 2005 - 2008 ALL MODELS

FRONT <i>Estimated Lift: 45mm</i>	V8 DIESEL: COIL SPRING		
	PART NUMBER	QTY	UNIT PRICE \$
SPRING: TO 100 KGS	2768	1	
NITROCHARGER	N195	2	
CASTER CORRECTION KIT	FK36	1	

REAR <i>Estimated Lift: 60+mm</i>	ALL MODELS LEAF SPRING		
	PART NUMBER	QTY	UNIT PRICE \$
SPRING: MEDIUM LOAD	CS048R	2	
THIRD STAGE	TSXL01	2	
SPRING: CONSTANT 600+KGS	CS048R	2	
XL LEAF	D27XL	2	
CENTRE BOLT	UCB10	2	
NITROCHARGER	N179	2	
U BOLTS - NO OVERLOAD LEAF	OMEU68	4	
U BOLTS - WITH OVERLOAD LEAF	OMEU67	4	
FITTING KIT	FK31	1	
	FK35		
SPACER KIT	OMESK1	1	

REMARKS:

- 1** Springs are supplied with bushes fitted. Where the OE spring has an overload leaf fitted, it must be replaced with a TSXL01 and the CS048R original centre bolt replaced by a UCB10, the original spacing block must also be re-fitted using U Bolts OMEU67.
- 2** To maintain 60mm lift for loads over constant 600 KGS and add D27XL Extra Leaf.
- 3** Fitment of Driveline Spacer Kit FK31 for Crew Cab or FK35 for Xtra Cab is recommended to reduce possible driveline vibration. If required, additional spacing down of the centre bearing can be achieved by using an OMESK1 Spacer kit.
- 4** Fitment of a FK36 Caster Correction Kit will provide approximately 3.5 to 4.0 degrees of extra caster. It is advisable to have a Front End Alignment carried out to determine if a FK36 kit is required

FORD F250 & F350 1999 - 2004 ALL MODELS

FRONT <i>Estimated Lift: 60mm</i>	F250 PETROL & DIESEL			F350 PETROL & DIESEL		
	PART NUMBER	QTY	UNIT PRICE \$	PART NUMBER	QTY	UNIT PRICE \$
SPRING: TO 150 KGS	CS018F 6	2		CS018F 6	2	
NITROCHARGER	N178	2		N178	2	
ADJUSTABLE PANHARD ROD	APRF250 1	1		APRF250 1	1	
U BOLTS - USA MODELS	OMEU69	2		OMEU69	4	
	OMEU69A	2				
U BOLTS - BRAZIL MODELS	OMEU70	2		-		
	OMEU70A	2		-		

REAR <i>Estimated Lift: 60mm</i>	F250 ALL MODELS			F350 ALL MODELS		
	PART NUMBER	QTY	UNIT PRICE \$	PART NUMBER	QTY	UNIT PRICE \$
SPRING: TO 600 KGS	CS048R	2		CS048R 5	2	
THIRD STAGE	-			TSXL01 5	2	
NITROCHARGER - SINGLE FITMENT	N179	2		N179	2	
NITROCHARGER - DUAL FITMENT	N179 + N180 2	2 + 2		-		
SPRING: CONSTANT 600 KGS	CS048R 3	2		CS048R 3	2	
XL LEAF	D27XL 3	2		D27XL 3	2	
THIRD STAGE	-			TSXL01 5	2	
NITROCHARGER - SINGLE FITMENT	N179	2		N179	2	
NITROCHARGER - DUAL FITMENT	N179 + N180 2	2 + 2		-		
U BOLTS	OMEU68	4		OMEU67	4	
FITTING KIT	FK31 4	1		FK31 4	1	
	FK35			FK35		
FITTING KIT	OME660 2	1		OME660 2	1	

REMARKS:

- 1 AFRF250 Adjustable Panhard Rod must be fitted to allow original axle location to be restored, bushes are supplied in Rod.
- 2 For models with dual shock fitment N179 must be fitted rear of the axle, as it is longer than the N180. OME660 stone shields are also a recommended fitment to the rear shocks.
- 3 To help maintain 60mm lift, add one D27XL Extra Leaf for every 400 KGS carried over 600 KGS.
- 4 Fitment of FK31 to Crew Cab or FK35 to Xtra Cab models is recommended to reduce possible driveline vibration.
- 5 As the CS048R has a different spring camber, compared to the original spring, the overload leaf must be replaced with a TSXL01. The Original spacing block must be refitted. Springs are supplied with bushing.
- 6 Springs are supplied with bushing.

JACKAROO/TROOPER & MONTEREY 3/2001 - 2004 SWB & LWB

FRONT			
	PART NUMBER	QTY	UNIT PRICE \$
TORSION BARS	-	1	
NITROCHARGER SPORT	60031	2	
NITROCHARGER	*N65 / N26F		

REAR <i>Estimated Lift: 20mm</i>			
	PART NUMBER	QTY	UNIT PRICE \$
SPRING: MEDIUM LOAD	2919	2	1
NITROCHARGER SPORT	60074	2	
NITROCHARGER	N15		
SPRING: CONSTANT 100 KGS	2929	1	
NITROCHARGER SPORT	60074	2	
NITROCHARGER	N15		

REMARKS:

- 1** Raise or lower front end clearance and trim vehicle by adjusting front torsion bars.
Important: A minimum of 60mm of droop must be maintained.
- 2** Coil must be installed with progressive rate to the top.

JACKAROO/TROOPER & MONTEREY 1992 - 2/2001 SWB & LWB

FRONT			
	PART NUMBER	QTY	UNIT PRICE \$
TORSION BARS	-	1	
NITROCHARGER SPORT	60031	2	
NITROCHARGER	*N65 / N26F		

REAR <i>Estimated Lift: 25mm</i>			
	PART NUMBER	QTY	UNIT PRICE \$
SPRING: MEDIUM LOAD	2912	2	1
NITROCHARGER SPORT	60074	2	
NITROCHARGER	N15		
SPRING: CONSTANT 100 KGS	2919	1	
NITROCHARGER SPORT	60074	2	
NITROCHARGER	N15		

REMARKS:

- 1** Raise or lower front end clearance and trim vehicle by adjusting front torsion bars.
Important: A minimum of 60mm of droop must be maintained.
- 2** Coil must be installed with progressive rate to the top.

JACKAROO/ISUZU TROOPER 1982 - 3/1992 ALL MODELS

FRONT			
	PART NUMBER	QTY	UNIT PRICE \$
TORSION BARS: OVER 50 KGS	303004 ¹	1	
NITROCHARGER SPORT	60031	2	
NITROCHARGER	*N65 / N26F		

REAR <i>Estimated Lift: 20mm</i>	ALL MODELS		
	PART NUMBER	QTY	UNIT PRICE \$
SPRING: MEDIUM LOAD	CS028R	2	
NITROCHARGER SPORT	60009	2	
	60032 ²		
NITROCHARGER	N88		
	*N42 / N89 ²		
SPRING: CONSTANT 200 KGS	CS029R	2	
NITROCHARGER SPORT	*60063 / 60009	2	
	*60064 / 60032 ²		
NITROCHARGER	N88		
	N42 ²		
SPRING BUSH KIT	OMESB80	2	
U BOLTS	OMEU59A ³	4	
ANTI INVERSION KIT	FK14 ⁴	1	
GREASABLE SHACKLE KIT	OMEGS13	1	

REMARKS:

- 1** Raise or lower front end clearance and trim vehicle by adjusting front torsion bars.
Torsion Bar 303004 suit models from 8/88 to 3/92 only.
Important: A minimum of 60mm of droop must be maintained.
- 2** 60009 / 60063 / N88: Suits 11/86 to 3/92 models and requires OMEB11 bush kit to convert lower bush from 19mm to 16mm ID.
60064 / 60032 / N42 / N89: Suits models '82 to 10/86 (no bush kit required).
- 3** Where the OE spring has 4 leaves OMEU59A U Bolts are required.
- 4** FK14 Anti Inversion kit must be fitted if greasable shackles are not fitted.

GM FRONTERA 5 DOOR 1999 - 6/2003 (USA - ISUZU RODEO WAGON)

FRONT			
	PART NUMBER	QTY	UNIT PRICE \$
TORSION BARS	-		
NITROCHARGER SPORT	60031	2	
NITROCHARGER	*N65 / N26F		

REAR <i>Estimated Lift: 20mm</i>	ALL MODELS		
	PART NUMBER	QTY	UNIT PRICE \$
SPRING: MEDIUM LOAD	2913	1	
NITROCHARGER	N102	2	

GM FRONTERA 1995 - 1998 (USA - ISUZU RODEO WAGON)

2 & 4 DOOR UT MODELS

FRONT	ALL MODELS		
	PART NUMBER	QTY	UNIT PRICE \$
TORSION BARS	-		
NITROCHARGER SPORT	60031	2	
NITROCHARGER	*N65 / N26F		

REAR	ALL MODELS		
	PART NUMBER	QTY	UNIT PRICE \$
<i>Estimated Lift: 40mm</i>			
SPRING: MEDIUM LOAD	2912	1	
NITROCHARGER	N15	2	

COLORADO RC 2008 ON ALL MODELS

RODEO/D-MAX RA 2003 ON ALL MODELS (NOT USA MANUFACTURED MODEL)

FRONT	PETROL ENGINE			DIESEL ENGINE		
	PART NUMBER	QTY	UNIT PRICE \$	PART NUMBER	QTY	UNIT PRICE \$
TORSION BARS - NO LOAD	303012 ¹	1		303012 ¹	1	
NITROCHARGER SPORT	60031	2		60031	2	
NITROCHARGER	N65			N65		
	N150 ²					

REAR	ALL MODELS		
	PART NUMBER	QTY	UNIT PRICE \$
<i>Estimated Lift: 30 - 50mm</i>			
SPRING: MEDIUM LOAD	CS062R ³	2	
NITROCHARGER SPORT	60032	2	
NITROCHARGER	*N42 / N89		
SPRING: CONSTANT 300 KGS	CS063R ³	2	
NITROCHARGER SPORT	*60064 / 60032	2	
NITROCHARGER	N42		
SPRING BUSH KIT	OMESB80	2	
U BOLTS	OMEU66	4	
ANTI INVERSION KIT	FK26	1	
GREASABLE SHACKLE KIT	OMEGS13	1	

REMARKS:

- 1** Raise or lower front end clearance and trim vehicle by adjusting front torsion bars.
Important: A minimum of 60mm of droop must be maintained.
It has been found, due to vehicle manufacturing tolerances, that in some cases front shock absorbers may contact the steering arm when on full lock. Fitter should check for this and where required a small indentation should be made to the body of the shock absorber.
303012 Torsion Bars have a lighter rate than OE and improve ride comfort for vehicles with no front accessory weight.
Due to their heavy rate, the OE Torsion Bars are suitable for Vehicles with front accessory weight.
- 2** Fit N65 when installing 303012 Torsion Bar to Petrol Models and N150 for OE Torsion Bars.
- 3** Include Tray Weight in Constant Load Calculation.
CS062R and CS063R can be installed to 4x2 Models.

RODEO/D-MAX TO 2003 ALL MODELS (NOT USA MANUFACTURED MODEL)

FRONT	PETROL & DIESEL ENGINES		
	PART NUMBER	QTY	UNIT PRICE \$
TORSION BARS: OVER 50 KGS	303004 1	1	
NITROCHARGER SPORT	60031	2	
NITROCHARGER	*N65 / N26F		

REAR <i>Estimated Lift: 20mm</i>	ALL MODELS		
	PART NUMBER	QTY	UNIT PRICE \$
SPRING: MEDIUM LOAD	CS028R 2	2	
NITROCHARGER SPORT	60032	2	
NITROCHARGER	*N42 / N89		
SPRING: CONSTANT 400 KGS	CS029R 2	2	
NITROCHARGER SPORT	60064	2	
NITROCHARGER	N42		
SPRING BUSH KIT	OMESB80	2	
ANTI INVERSION KIT	FK14 3	1	
GREASABLE SHACKLE KIT	OMEGS13	1	
U BOLTS	OMEU59A 4	4	

REMARKS:

- 1 Raise or lower front end clearance and trim vehicle by adjusting front torsion bars. Important: A minimum of 60mm of droop must be maintained.
- 2 Include Tray Weight in Constant Load Calculation.
- 3 FK14 must be fitted if OMEGS13 greasable shackles are not fitted.
- 4 Vehicles with 4 Leaf OE Spring Stack require U bolts OMEU59A.

DROVER ALL MODELS (NOT USA MANUFACTURED MODEL)

FRONT <i>Estimated Lift: 40mm</i>	PART NUMBER	QTY	UNIT PRICE \$
	SPRING: TO 35 KGS	CS012FA / B	1 + 1
NITROCHARGER	OME015	2	
SPRING: 35 TO 75 KGS	CS013FA / B	1 + 1	
NITROCHARGER	OME015	2	
SPRING BUSH KIT	OMESB19	2	
U BOLTS	OMEU61	4	
	OMEU62 1	1	
FITTING KIT	FK06	1	
TRIM PACKER	TP05		
STEERING DAMPER	OMESD30	1	

REMARKS:

- 1 1 only OMEU62 may be required on the right hand side inner, on some models.

REAR <i>Estimated Lift: 40mm</i>	ALL MODELS		
	PART NUMBER	QTY	UNIT PRICE \$
SPRING: MEDIUM LOAD	CS038R	2	
NITROCHARGER	OME013	2	
SPRING: CONSTANT 100 KGS	CS039R	2	
NITROCHARGER	OME013	2	
SPRING BUSH KIT	OMESB19	2	
U BOLTS	OMEU61	4	
TRIM PACKER	TP05		

HUMMER

H3

FRONT <i>Estimated Lift: 20mm</i>	ALL MODELS		
	PART NUMBER	QTY	UNIT PRICE \$
TORSION BARS	303014 ¹	1	
NITROCHARGER SPORT	90001	2	

REAR <i>Estimated Lift: 20mm</i>	ALL MODELS		
	PART NUMBER	QTY	UNIT PRICE \$
SPRING: MEDIUM LOAD	CS059R ²	2	
NITROCHARGER SPORT	60045	2	

REMARKS:

- 1** Raise or lower front end clearance and trim vehicle by adjusting front torsion bars.
It is important that a minimum of 60mm droop is maintained to prevent topping out of the front shock absorbers.
- 2** Springs supplied with bushings.

TERRACAN 2001 ON

FRONT <i>Estimated Lift: 10mm</i>	PETROL ENGINES			DIESEL ENGINES		
	PART NUMBER	QTY	UNIT PRICE \$	PART NUMBER	QTY	UNIT PRICE \$
TORSION BARS	-			-		
NITROCHARGER SPORT	UNDER DEVELOPMENT	2		60040	2	
NITROCHARGER	N170			N162		

REAR <i>Estimated Lift: 20mm</i>	ALL MODELS		
	PART NUMBER	QTY	UNIT PRICE \$
SPRING: MEDIUM LOAD	2603	1	
NITROCHARGER	N171	2	
SPRING: CONSTANT 200 KGS	2604	1	
NITROCHARGER	N172	2	

KIA

SORENTO BL TO 2009

FRONT <i>Estimated Lift: 20mm</i>	ALL MODELS		
	PART NUMBER	QTY	UNIT PRICE \$
SPRING:	2902	1	
SPRING: 20 TO 60 KGS	2601	1	
STRUT	N148S	1 + 1	
	LHS		

REAR <i>Estimated Lift: 30mm</i>	LATE 2006 ON MODELS			MODELS 2003 TO LATE 2006		
	PART NUMBER	QTY	UNIT PRICE \$	PART NUMBER	QTY	UNIT PRICE \$
SPRING: LIGHT LOAD	-			2602	1	
NITROCHARGER	-			N149	¹ 2	
SPRING: MEDIUM LOAD	2622	1		2903	1	
NITROCHARGER	N205	2		N149	¹ 2	

REMARKS:

- 1** OME661 Stone Guards are recommended fitment to vehicles driven on dirt roads to prevent stone damage to the shock absorbers.
- 2** N147S fits RHS, N148S fits LHS. No top mounting bushes supplied, re-use OE bushes.

LADA NIVA

FRONT <i>Estimated Lift: 30mm</i>			
	PART NUMBER	QTY	UNIT PRICE \$
SPRING:	2791 ¹	1	
NITROCHARGER	NOT AVAILABLE		
TRIM PACKER	OMELNF10		

REAR <i>Estimated Lift: 30mm</i>	ALL MODELS		
	PART NUMBER	QTY	UNIT PRICE \$
SPRING: MEDIUM LOAD	2792	1	
NITROCHARGER	NOT AVAILABLE		

REMARKS:

1 2010 on models front lift less than 30mm.

DISCOVERY 3 2005 ON ALL COIL MODELS

FRONT <i>Estimated Lift: 50mm</i>	PETROL & DIESEL ENGINES		
	PART NUMBER	QTY	UNIT PRICE \$
SPRING:	2744	1	
SPRING: 100 KGS +	2745	1	
STRUT	USE OE	1	

REAR <i>Estimated Lift: 50mm</i>	ALL MODELS		
	PART NUMBER	QTY	UNIT PRICE \$
SPRING: MEDIUM LOAD	2746	1	
SPRING: CONSTANT 200 KGS	2743	1	
STRUT	USE OE	1	

REMARKS:

- 1** Coils are suitable to be used with original OE struts, OME will not be developing replacement struts.

DISCOVERY 1999 - 2004 ALL COIL SUSPENSION MODELS

FRONT <i>Estimated Lift: 40mm</i>	PETROL & DIESEL ENGINES		
	PART NUMBER	QTY	UNIT PRICE \$
SPRING: TO 20 KGS	2776	1	
NITROCHARGER SPORT	60024	2	
NITROCHARGER	*N107 / N107C		
SPRING: 21 TO 50 KGS	2777	1	
NITROCHARGER SPORT	60024	2	
NITROCHARGER	*N107 / N107C		
SPRING: 51 TO 110 KGS	2779	1	
NITROCHARGER SPORT	60024	2	
NITROCHARGER	N107		
STEERING DAMPER	OMESD02	1	
COIL PACKER	OMELRCP2	2	

REAR <i>Estimated Lift: 40mm</i>	ALL MODELS		
	PART NUMBER	QTY	UNIT PRICE \$
SPRING: MEDIUM LOAD	2781	1	
NITROCHARGER SPORT	60026	2	
NITROCHARGER	*N108 / N108C		
SPRING: CONSTANT 100 KGS	2762	1	
NITROCHARGER SPORT	60025	2	
NITROCHARGER	N108		
SPRING: CONSTANT 200 KGS	2763	1	
NITROCHARGER SPORT	60025	2	
NITROCHARGER	N108		
COIL PACKER	OMELRCP1	2	

REMARKS:

- 1** On 2003 models lift will be between 25 to 35mm.
- 2** 8mm Steel Coil Seat Packer, refer to fitting instructions supplied with packer.
Important: To prevent possible over stressing of the spring, only one packer can be fitted under each coil seat

LAND ROVER

DISCOVERY TO 1998 & RANGE ROVER TO 5/1995³

FRONT <i>Estimated Lift: To 40mm</i>	PETROL ENGINES			DIESEL ENGINES		
	PART NUMBER	QTY	UNIT PRICE \$	PART NUMBER	QTY	UNIT PRICE \$
SPRING: TO 20 KGS: 20mm	2760	1		-		
NITROCHARGER SPORT	60037	2		-		
NITROCHARGER	*N115 / N45F			-		
SPRING: TO 50 KGS: 30mm	2761	1		2751	1	
NITROCHARGER SPORT	60037	2		60037	2	
NITROCHARGER	*N115 / N45F			*N115 / N45F		
SPRING: 51 TO 110 KGS	2767	1		2767	1	
NITROCHARGER SPORT	60037	2		60037	2	
NITROCHARGER	N115			N115		
STEERING DAMPER	OMESD11	1		OMESD11	1	
CASTER KIT	CALR1	1		CALR1	1	
	CALR2 ¹			CALR2 ¹		
COIL PACKER	OMELRCP1 ²			OMELRCP1 ²		

REAR <i>Estimated Lift: 40mm</i>	ALL MODELS		
	PART NUMBER	QTY	UNIT PRICE \$
SPRING: MEDIUM LOAD	2764	1	
NITROCHARGER SPORT	60038	2	
NITROCHARGER	*N46 / N27		
SPRING: CONSTANT 100 KGS	2762	1	
NITROCHARGER SPORT	60039	2	
NITROCHARGER	*N44 / N46		
SPRING: CONSTANT 200 KGS	2763	1	
NITROCHARGER SPORT	60039	2	
NITROCHARGER	N44		
COIL PACKER	OMELRCP1 ²		

REMARKS:

- 1** CALR1 : Fits pre '86 Range Rover.
CALR2 : Fits post '86 Range Rover, all Discovery & Defender 130 Dual Cab Utility.
NB: Do not fit to automatic Range Rovers or Discovery due to possible vibration problems.
- 2** 8mm Steel Coil Seat Packer, refer to fitting instructions supplied with packer.
Important: To prevent possible over stressing of the spring, only one packer can be fitted under each coil seat.
- 3** Not suitable for models with air suspension.

DEFENDER & COUNTY 110

FRONT <i>Estimated Lift: To 40mm</i>	V8 PETROL			3.9 ISUZU DIESEL ENGINE		
	PART NUMBER	QTY	UNIT PRICE \$	PART NUMBER	QTY	UNIT PRICE \$
SPRING: TO 50 KGS: 30mm	2761	1		2766	1	
NITROCHARGER SPORT	60037 1	2		60037 1	2	
NITROCHARGER	N45F			*N115 / N45F		
SPRING: 51 TO 110 KGS	2751	1		2766	1	
NITROCHARGER SPORT	60037 1	2		60037 1	2	
NITROCHARGER	N115			N115		
STEERING DAMPER	OMESD32	1		OMESD32	1	
CASTER KIT	CALR1	1		CALR1	1	
	CALR2 1					
COIL PACKER	OMELRCP1 4			OMELRCP1 4		

FRONT <i>Estimated Lift: To 40mm</i>	2.5 DIESEL		
	PART NUMBER	QTY	UNIT PRICE \$
SPRING: TO 50 KGS: 30mm	2751	1	
NITROCHARGER SPORT	60037	2	
NITROCHARGER	N45F		
SPRING: 51 TO 110 KGS	2767	1	
NITROCHARGER SPORT	60037	2	
NITROCHARGER	N115		
STEERING DAMPER	OMESD32	1	
CASTER KIT	CALR1	1	
	CALR2 1		
COIL PACKER	OMELRCP1 4		

REAR <i>Estimated Lift: To 55 mm</i>	ALL MODELS		
	PART NUMBER	QTY	UNIT PRICE \$
SPRING: LIGHT LOAD: 25mm	2752 2	1	
NITROCHARGER SPORT	60038	2	
NITROCHARGER	*N46 / N27		
SPRING: CONSTANT 300 KGS	2755	1	
NITROCHARGER SPORT	60039	2	
NITROCHARGER	N44		
SPRING: CONSTANT 500 KGS	2754 3	1	
NITROCHARGER SPORT	60039	2	
NITROCHARGER	N44		
COIL PACKER	OMELRCP3 4		

REMARKS:

- 1** **Caution:** Due to altered gearbox mounts on models after 1998 any lift above OE ride height may cause front driveline vibration that can only be rectified by fitment of front Double Cardan joints.
Caster Kit will increase caster angle by 2°. Check manufacturer's specifications to determine if caster kit is required.
CALR1 suits 38mm wide control arms. CALR2 suits 44mm wide control arms.
- 2** 2752 coil has a softer spring than OE coil. This is to provide improved ride quality with light loads only
OE springs are designated as medium load springs.
- 3** Original inner helper coil, where fitted, must be re-installed with OME Coils.
- 4** 8mm Steel Coil Seat Packer, refer to selection chart supplied with packer.
Important: To prevent possible over stressing of the spring, only one packer can be fitted under each coil seat

DEFENDER 130 MODELS

FRONT <i>Estimated Lift: 20mm</i>	2.5 DIESEL ENGINE		
	PART NUMBER	QTY	UNIT PRICE \$
SPRING: TO 50 KGS	2751	1	
NITROCHARGER SPORT	60037	2	
NITROCHARGER	*N115 / N45F		
SPRING: 51 TO 110 KGS	2767	1	
NITROCHARGER SPORT	60037	2	
NITROCHARGER	N115		
STEERING DAMPER	OMESD32	1	
CASTER KIT	CALR2	1	¹
COIL PACKER	OMELRCP1		³

REMARKS:

1 Caution: Due to altered gearbox mounts on models after 1998 any lift above OE ride height will cause front driveline vibration that can only be rectified by fitment of front Double Cardan joints.

Caster Kit will increase caster angle by 2°. Check manufacturer's specifications to determine if caster kit is required. CALR1 suits 38mm wide control arms. CALR2 suits 44mm wide control arms.

2 Important: 2755 has reduced spring rate from OE to provide improved ride quality for light loads. Original inner helper coil, where fitted, must be re-installed with OME Coils.

3 8mm Steel Coil Seat Packer, refer to selection chart supplied with packer. Important: To prevent possible overstressing of the spring, only one packer can be fitted under each coil seat.

4 Original inner helper coil, where fitted, must be re-installed with OME Coils.

REAR <i>Estimated Lift: To 40mm</i>	DIESEL ENGINES		
	PART NUMBER	QTY	UNIT PRICE \$
SPRING: LIGHT LOAD: 25mm	2755	1	²
NITROCHARGER SPORT	60039	2	
NITROCHARGER	*N44 / N46		
SPRING: CONSTANT 400 KGS	2754	1	⁴
NITROCHARGER SPORT	60039	2	
NITROCHARGER	N44		
COIL PACKER	OMELRCP3		³

90 SERIES

FRONT <i>Estimated Lift: 30mm</i>	PETROL ENGINES			DIESEL ENGINES		
	PART NUMBER	QTY	UNIT PRICE \$	PART NUMBER	QTY	UNIT PRICE \$
SPRING: TO 50 KGS	2761	1		2751	1	
NITROCHARGER SPORT	60037	2		60037	2	
NITROCHARGER	N45F			N115		
SPRING: 51 TO 110 KGS	2751	1		2767	1	
NITROCHARGER SPORT	60037	2		60037	2	
NITROCHARGER	N115			N115		
STEERING DAMPER	OMESD32	1		OMESD32	1	
CASTER KIT	CALR1	1	¹	CALR1	1	¹

REAR <i>Estimated Lift: 45 - 55mm</i>	ALL MODELS		
	PART NUMBER	QTY	UNIT PRICE \$
SPRING: MEDIUM LOAD	2764	1	
NITROCHARGER SPORT	60038	2	
NITROCHARGER	*N46 / N27		
SPRING: CONSTANT 200 KGS	2762	1	
NITROCHARGER SPORT	60039	2	
NITROCHARGER	*N44 / N46		

REMARKS:

1 Caution: Due to altered gearbox mounts on models after 1998 any lift above OE ride height may cause front driveline vibration that can only be rectified by fitment of front Double Cardan joints.

Caster Kit will increase caster angle by 2°. Check manufacturer's specifications to determine if caster kit is required. CALR1 suits 38mm wide control arms. CALR2 suits 44mm wide control arms.

BT50 1 TONNE 12/2006 ON ALL MODELS

FRONT	PETROL & DIESEL ENGINES		
	PART NUMBER	QTY	UNIT PRICE \$
TORSION BARS: OVER 60 KGS	303013 1	1	
NITROCHARGER SPORT	60022	2	
NITROCHARGER	*N194 / N187 2		
FITTING KIT	FK22 2	1	

REMARKS:

1 Some Latin American 12/2006on models use 303005 torsion bars, measuring 925mm in length. The 303013 torsion bars measure 1024mm. Check OE torsion bar length before ordering.

2 FK22 Front shock absorber upper mount supporting bracket kit is a mandatory fitment.

3 Use OMEU66 when fitting CS056R and CS049R. Use OMEU66A when fitting CS060R. Include Tray Weight in Constant Load Calculation.

REAR <i>Estimated Lift: 20mm</i>	ALL MODELS		
	PART NUMBER	QTY	UNIT PRICE \$
SPRING: MEDIUM LOAD	CS056R 3	2	
NITROCHARGER SPORT	60023	2	
NITROCHARGER	N189		
SPRING: CONSTANT 200 KGS	CS049R 3	2	
NITROCHARGER SPORT	60023	2	
NITROCHARGER	N189		
SPRING: CONSTANT 400 KGS	CS060R 3	2	
NITROCHARGER SPORT	60023	2	
NITROCHARGER	N189		
GREASABLE SHACKLE KIT	OMEGS18	1	
U BOLTS	OMEU66	3	4
	OMEU66A		
SPRING BUSH KIT	OMESB97	2	

B SERIES 1 TONNE 1987 - 2006 ALL MODELS

FRONT	PETROL & DIESEL ENGINES		
	PART NUMBER	QTY	UNIT PRICE \$
TORSION BARS: OVER 60 KGS	303005	1	
NITROCHARGER SPORT	60022	2	
NITROCHARGER	N51 1		
FITTING KIT	FK22 1	1	

REMARKS:

1 FK22 Front shock absorber upper mount supporting bracket kit is a mandatory fitment.

2 Include Tray Weight in Constant Load Calculation.

REAR <i>Estimated Lift: 20mm</i>	ALL MODELS		
	PART NUMBER	QTY	UNIT PRICE \$
SPRING: MEDIUM LOAD	CS026R 2	2	
NITROCHARGER SPORT	60023	2	
NITROCHARGER	N53		
SPRING: CONSTANT 200 KGS	CS027R 2	2	
NITROCHARGER SPORT	60023	2	
NITROCHARGER	N53		
U BOLTS	OMEU65	4	
GREASABLE SHACKLE KIT	OMEGS18	1	
SPRING BUSH KIT	OMESB82	2	

PAJERO / MONTERO 2000 ON ALL LWB MODELS

FRONT <i>Estimated Lift: 35mm</i>	V6 PETROL ENGINE			2.8 & 3.2 DIESEL ENGINES		
	PART NUMBER	QTY	UNIT PRICE \$	PART NUMBER	QTY	UNIT PRICE \$
SPRING: TO 50 KGS	2914	1		2915	1	
STRUT - SPORT	90006	2		90006	2	
STRUT	N129S ²			N129S ²		
SPRING: 51 TO 100 KGS	2915	1		2924	1	
STRUT - SPORT	90007	2		90007	2	
STRUT	N203S ²			N203S ²		

REAR <i>Estimated Lift: 40mm</i>	ALL MODELS		
	PART NUMBER	QTY	UNIT PRICE \$
SPRING: MEDIUM LOAD	2917 ¹	1	
NITROCHARGER SPORT	60019	2	
NITROCHARGER	N152		
SPRING: CONSTANT 200 KGS	2918 ¹	1	
NITROCHARGER SPORT	60033	2	
NITROCHARGER	*N204/N152		
SPRING: CONSTANT 300 KGS	2995	1	
NITROCHARGER SPORT	60033	2	
NITROCHARGER	N204		

REMARKS:

- 1** It is recommended that a 4 wheel alignment is carried out.
- 2** No top mounting bushes supplied, re-use OE bushes.

PAJERO / MONTERO 2000 ON ALL SWB MODELS

FRONT <i>Estimated Lift: 35mm</i>	V6 PETROL ENGINE			3.2 DIESEL ENGINES		
	PART NUMBER	QTY	UNIT PRICE \$	PART NUMBER	QTY	UNIT PRICE \$
SPRING: TO 50 KGS	2914	1		2915	1	
STRUT - SPORT	90006	2		90006	2	
STRUT	*N129S/N109S ²			N129S ²		
SPRING: 51 TO 100 KGS	2915	1		2924	1	
STRUT - SPORT	90007	2		90007	2	
STRUT	*N203S/N129S ²			N203S ²		

REAR <i>Estimated Lift: 40mm</i>	ALL MODELS		
	PART NUMBER	QTY	UNIT PRICE \$
SPRING: MEDIUM LOAD	2994 ¹	1	
NITROCHARGER SPORT	60019	2	
NITROCHARGER	N152		
SPRING: CONSTANT 200 KGS	2917 ¹	1	
NITROCHARGER SPORT	60033	2	
NITROCHARGER	*N204/N152		

REMARKS:

- 1** It is recommended that a 4 wheel alignment is carried out
- 2** No top mounting bushes supplied, re-use OE bushes.

PAJERO / MONTERO 1991 - 1999 SWB & LWB REAR LEAF SPRING MODELS

FRONT			
	PART NUMBER	QTY	UNIT PRICE \$
TORSION BARS: OVER 50 KGS	303010	1	
	303011	1	
NITROCHARGER SPORT	60040	2	
NITROCHARGER	N18		

REAR <i>Estimated Lift: 45 - 50mm</i>	ALL MODELS		
	PART NUMBER	QTY	UNIT PRICE \$
SPRING: MEDIUM LOAD	CS022R	2	
NITROCHARGER SPORT	60057		
NITROCHARGER	*N56 / N54	2	
SPRING: CONSTANT 250 KGS	CS023R	2	
NITROCHARGER SPORT	*60036 / 60057		
NITROCHARGER	N56	2	
SPRING BUSH KIT	OMESB38	2	
GREASABLE SHACKLE KIT	OMEGS16	1	

REMARKS:

- 1** Raise or lower front end clearance and trim vehicle by adjusting front torsion bars.
Important: A minimum of 60mm of droop must be maintained.
303010 suits 88 to 90 V6 models and all models 91 to 94 - length 1278mm.
303011 suits all models 95 to 00 - length 1308mm.
- 2** OMESB38 must be used to fit OME springs.

PAJERO / MONTERO 1991 - 1999 ALL LWB REAR COIL SPRING MODELS

FRONT			
	PART NUMBER	QTY	UNIT PRICE \$
TORSION BARS: OVER 50 KGS	303010	1	
	303011	1	
NITROCHARGER SPORT	60040	2	
NITROCHARGER	N18		

REAR <i>Estimated Lift: To 20mm</i>	ALL MODELS		
	PART NUMBER	QTY	UNIT PRICE \$
SPRING: MEDIUM LOAD	2910	1	
NITROCHARGER SPORT	60041	2	
NITROCHARGER	N64		
SPRING: CONSTANT 200 KGS	2938	1	
NITROCHARGER SPORT	60041	2	
NITROCHARGER	N64		

REMARKS:

- 1** Raise or lower front end clearance and trim vehicle by adjusting front torsion bars.
Important: A minimum of 60mm of droop must be maintained.
303010 suits all models 91 to 94 with 1278mm length.
303011 suits all models 95 to 00 with 1308mm length.

PAJERO / MONTERO 1991 - 1999 ALL SWB REAR COIL SPRING MODELS

FRONT			
	PART NUMBER	QTY	UNIT PRICE \$
TORSION BARS	-	1	
NITROCHARGER SPORT	60040	2	
NITROCHARGER	N18		

REAR <i>Estimated Lift: 20mm</i>	ALL MODELS		
	PART NUMBER	QTY	UNIT PRICE \$
SPRING: MEDIUM LOAD	2911	1	
NITROCHARGER SPORT	60041	2	
NITROCHARGER	N64		

REMARKS:

- 1** Raise or lower front end clearance and trim vehicle by adjusting front torsion bars.
Important: A minimum of 60mm of droop must be maintained.

PAJERO / MONTERO TO 1991 REAR LEAF SPRING MODELS (Hyundai Galloper)

FRONT	4 CYLINDER ENGINE		
	PART NUMBER	QTY	UNIT PRICE \$
TORSION BARS: OVER 50 KGS	303009	1	
NITROCHARGER SPORT	60051	2	
NITROCHARGER	N60G		

REAR <i>Estimated Lift: 45 - 50mm</i>	ALL MODELS		
	PART NUMBER	QTY	UNIT PRICE \$
SPRING: MEDIUM LOAD	CS022R	2	
NITROCHARGER SPORT	60057	2	
NITROCHARGER	*N56 / N54		
SPRING: CONSTANT 250 KGS	CS023R	2	
NITROCHARGER SPORT	*60036 / 60057	2	
NITROCHARGER	N56		
SPRING BUSH KIT	OMESB8	2	
U BOLTS	OMEU54	4	
GREASABLE SHACKLE KIT	OMEGS16	1	

REMARKS:

- 1** Raise or lower front end clearance and trim vehicle by adjusting front torsion bars.
Important: A minimum of 60mm of droop must be maintained.
303009 suits 82 to 90 4 cylinder models - length 1278mm.
- 2** OMESB8 must be used with CS022R and CS023R springs.
- 3** OMEU54 only required on SWB models.

PAJERO CHALLENGER 1989 - 1991 REAR COIL SPRING MODELS (Hyundai Galloper) (USA - MONTERO SPORT)

FRONT			
	PART NUMBER	QTY	UNIT PRICE \$
TORSION BARS: OVER 50 KGS	303010 ¹	1	
NITROCHARGER SPORT	60051	2	
NITROCHARGER	N60G		

REAR <i>Estimated Lift: 15mm</i>	ALL MODELS		
	PART NUMBER	QTY	UNIT PRICE \$
SPRING: MEDIUM LOAD	2910	1	
NITROCHARGER SPORT	60056	2	

REMARKS:

- 1** Raise or lower front end clearance and trim vehicle by adjusting front torsion bars.
Important: A minimum of 60mm of droop must be maintained.
303010 suits 88 to 90 V6 models.

TRITON / L200 ML & MN 2006 ON ALL MODELS

FRONT <i>Estimated Lift: 10mm</i>	DIESEL ENGINE			V6 PETROL ENGINE		
	PART NUMBER	QTY	UNIT PRICE \$	PART NUMBER	QTY	UNIT PRICE \$
SPRING: TO 50 KGS	2605	1		2611	1	
STRUT - SPORT	90008 ⁴	2		90008 ⁴	2	
STRUT	N186S			N186S		
SPRING: 51 TO 100 KGS	2606	1		2605	1	
STRUT - SPORT	90008 ⁴	2		90008 ⁴	2	
STRUT	N186S			N186S		

REAR <i>Estimated Lift: 20mm</i>	ALL MODELS		
	PART NUMBER	QTY	UNIT PRICE \$
SPRING: MEDIUM LOAD	CS053R ²	2	
NITROCHARGER SPORT	60036	2	
NITROCHARGER	*N59 / N54		
SPRING: CONSTANT 300 KGS	CS054R ²	2	
NITROCHARGER SPORT	60036	2	
NITROCHARGER	N59		
SPRING: CONSTANT 500 KGS	CS022R ³	2	
NITROCHARGER SPORT	60036	2	
NITROCHARGER	N59		
U BOLT	OMEU71	4	
SPRING BUSH KIT	OMESB38	2	
GREASABLE SHACKLE KIT	OMEGS16 ¹	1	

REMARKS:

- 1** OMEGS16 is a **mandatory** fitment to prevent springs from inverting.
- 2** Include Tray Weight in Constant Load Calculation. Springs can be only installed with OME Bush Kit.
- 2** Reverse Centre Bolt on CS022R to allow fitment.
- 4** No top mounting bushes supplied, re-use OE bushes.

TRITON / L200 MK 10/1996 - 2006 ALL MODELS

FRONT	PETROL & DIESEL ENGINES		
	PART NUMBER	QTY	UNIT PRICE \$
TORSION BARS: OVER 50 KGS	303006 1	1	
NITROCHARGER SPORT	60040	2	
NITROCHARGER	*N18 / N57G		

REMARKS:

1 Raise or lower front end clearance and trim vehicle by adjusting front torsion bars. Important: A minimum of 60mm of droop must be maintained.

2 OME springs can only be installed with OME bush kits.

3 FK30 Anti-Inversion kit is a mandatory fitment, with or without Greasable Shackle Kit.

REAR <i>Estimated Lift: To 40mm</i>	ALL MODELS		
	PART NUMBER	QTY	UNIT PRICE \$
SPRING: MEDIUM LOAD	CS022R 2	2	
NITROCHARGER SPORT	60050	2	
NITROCHARGER	N30E		
SPRING: CONSTANT 200 KGS	CS023R 2	2	
NITROCHARGER SPORT	60050	2	
NITROCHARGER	N30E		
U BOLTS	OMEU57	4	
SPRING BUSH KIT	OMESB38 2	2	
ANTI-INVERSION KIT	FK30 3	1	
GREASABLE SHACKLE KIT	OMEGS16 3	1	

TRITON / L200 TO 1996 ALL MODELS

FRONT	PETROL & DIESEL ENGINES		
	PART NUMBER	QTY	UNIT PRICE \$
TORSION BARS: OVER 50 KGS	303006 1	1	
NITROCHARGER SPORT	60051	2	
NITROCHARGER	N60G		

REAR <i>Estimated Lift: To 40mm</i>	ALL MODELS		
	PART NUMBER	QTY	UNIT PRICE \$
SPRING: MEDIUM LOAD	CS022R 2	2	
NITROCHARGER SPORT	60058	2	
NITROCHARGER	N30E		
SPRING: CONSTANT 200 KGS	CS023R 2	2	
NITROCHARGER SPORT	60058	2	
NITROCHARGER	N30		
U BOLTS	OMEU57	4	
SPRING BUSH KIT	OMESB38 2	2	
ANTI-INVERSION KIT	FK30 3	1	
GREASABLE SHACKLE KIT	OMEGS16 3	1	

REMARKS:

1 Raise or lower front end clearance and trim vehicle by adjusting front torsion bars. Important: A minimum of 60mm of droop must be maintained. Torsion Bar 303006 suits 1993 MJ on models with 39 splines.

2 Include Tray Weight in Constant Load Calculation. OME springs can only be installed with OME bush kits.

3 FK30 Anti-Inversion kit is a mandatory fitment, with or without Greasable Shackle Kit.

CHALLENGER / MONTERO SPORT KH 2009 ON MODELS

FRONT <i>Estimated Lift: 35mm</i>	V6 PETROL ENGINES			DIESEL ENGINES		
	PART NUMBER	QTY	UNIT PRICE \$	PART NUMBER	QTY	UNIT PRICE \$
SPRING: TO 50 KGS	2611	1		2605	1	
STRUT - SPORT	90008	2		90008	2	
STRUT	N186S ¹			N186S ¹		
SPRING: 51 TO 100 KGS	2605	1		2606	1	
STRUT - SPORT	90008	2		90008	2	
STRUT	N186S ¹			N186S ¹		

REAR <i>Estimated Lift: 45mm</i>	ALL MODELS		
	PART NUMBER	QTY	UNIT PRICE \$
SPRING: MEDIUM LOAD	2910	1	
NITROCHARGER SPORT	60076	2	
NITROCHARGER	N116		
SPRING: CONSTANT 200 KGS	2938	1	
NITROCHARGER SPORT	*60075 / 60076	2	
NITROCHARGER	N116		
SPRING: CONSTANT 400 KGS	2838	1	
NITROCHARGER SPORT	60075	2	
NITROCHARGER	N116		

REMARKS:

- 1** No top mounting bushes supplied, re-use OE bushes.

CHALLENGER / MONTERO SPORT 2000 - 2008 LWB COIL REAR MODELS

FRONT	V6 PETROL ENGINE		
	PART NUMBER	QTY	UNIT PRICE \$
TORSION BARS: OVER 50 KGS	303011 ¹	1	
NITROCHARGER SPORT	60040	2	
NITROCHARGER	N57G		

REAR <i>Estimated Lift: 40mm</i>	ALL MODELS		
	PART NUMBER	QTY	UNIT PRICE \$
SPRING: MEDIUM LOAD	2911	1	
NITROCHARGER SPORT	60059	2	
NITROCHARGER	N116		
SPRING: CONSTANT 200 KGS	2910	1	
NITROCHARGER SPORT	60059	2	
NITROCHARGER	N116		

REMARKS:

- 1** Raise or lower front end clearance and trim vehicle by adjusting front torsion bars.
Important: A minimum of 60mm of droop must be maintained

CHALLENGER V6 / MONTERO SPORT WAGON PA 1998 - 2000 (REAR LEAF SPRING MODELS)

FRONT			
	PART NUMBER	QTY	UNIT PRICE \$
TORSION BARS: OVER 50 KGS	303011 1	1	
NITROCHARGER SPORT	60040	2	
NITROCHARGER	N57G		

REAR <i>Estimated Lift: 25mm</i>	ALL MODELS		
	PART NUMBER	QTY	UNIT PRICE \$
SPRING: MEDIUM LOAD	CS040R 3	2	
NITROCHARGER SPORT	60057	2	
NITROCHARGER	*N56 / N54		
SPRING: CONSTANT 200 KGS	CS041R 2	2	
NITROCHARGER SPORT	*60036 / 60057	2	
NITROCHARGER	N56		
SPRING BUSH KIT	OMESB83 3	2	
GREASABLE SHACKLE KIT	OMEGS16 2	1	

REMARKS:

- 1** Raise or lower front end clearance and trim vehicle by adjusting front torsion bars.
Important: A minimum of 60mm of droop must be maintained
303011 suits all models with bar - length 1308mm.
- 2** OMEGS16 is a **mandatory** fitment to prevent springs from inverting.
- 3** Springs can be only installed with OME Bush Kit.
The Centre Bolt on CS040R must be reversed prior to fitment.

PATROL GU Y61 ALL LWB MODELS

FRONT <i>Estimated Lift: 50mm</i>	PETROL 4.5, 4.8 & DIESEL 4.2			DIESEL 2.8 & 3.0 TURBO		
	PART NUMBER	QTY	UNIT PRICE \$	PART NUMBER	QTY	UNIT PRICE \$
SPRING: TO 50 KGS	2970	1		2973	1	
NITROCHARGER SPORT	60012	2		60012	2	
NITROCHARGER	*N19 / N19C			*N19 / N19C		
SPRING: 51 TO 110 KGS	2971	1		2970	1	
NITROCHARGER SPORT	60013	2		60013	2	
NITROCHARGER	N19			N19		
SPRING: 50 KGS: 20mm LIFT	2972	1		2974	1	
NITROCHARGER SPORT	60012	2		60012	2	
NITROCHARGER	*N19 / N19C			*N19 / N19C		
CASTER KIT	OMECA77B 2	1		OMECA77B 2	1	
STEERING DAMPER	OMESD11 5	1		OMESD11 5	1	
	OMESD01 5			OMESD01 5		
TRIM PACKER	OMEGQPF05 1	1		OMEGQPF05 1	1	
	OMEGQPF10 1			OMEGQPF10 1		
OIL PAN PACKER KIT	FK25 2	1		FK25 2	1	

REAR <i>Estimated Lift: 50mm</i>	ALL MODELS		
	PART NUMBER	QTY	UNIT PRICE \$
SPRING: MEDIUM LOAD	2980 4	1	
NITROCHARGER SPORT	60014	2	
NITROCHARGER	*N29 / N29C		
SPRING: CONSTANT 200 KGS	2981 4	1	
NITROCHARGER SPORT	60015	2	
NITROCHARGER	N29		
SPRING: MEDIUM 30mm LIFT	2982 4	1	
NITROCHARGER SPORT	60014	2	
NITROCHARGER	*N29 / N29C		
TRIM PACKER	Do not use Packers		
SWAY BAR EXT KIT	FK18	1	
	FK24 3		

REMARKS:

- 1** Coil trim packers may be required to trim vehicles.
Packers must be installed to the bottom of front coils.
- 2** OMECA77B caster kit will increase caster angle by 3°. Check manufacturer's specifications to determine if OMECA77B kit is required. FK25 may be required for some European models when caster kit is fitted.
- 3** FK18: Rear sway bar extension bracket is mandatory fitment to models with fixed sway bar to prevent damage to sway bar when suspension is at full extension. FK24 suits models with detachable sway bar.
- 4** Special Note: Due to limited clearance between tailshaft and chassis cross member, OME does not recommend fitment of gear box packers.
- 5** OMESD11 steering damper fits all models up to 1/2000. OMESD01 fits 2/2000 models on.
To verify correct fitment for individual vehicles compare OE Mounts with Steering Stabilisers Specifications on Page 119.

PATROL GU Y61 SWB

FRONT <i>Estimated Lift: 40mm</i>	2.8 & 3.0 TURBO DIESEL		
	PART NUMBER	QTY	UNIT PRICE \$
SPRING: TO 50 KGS	2974E	1	
NITROCHARGER SPORT	60012	2	
NITROCHARGER	*N19 / N19C		
SPRING: 51 TO 110 KGS	2972E	1	
NITROCHARGER SPORT	60013	2	
NITROCHARGER	N19		
TRIM PACKER	OMEGQPF05		
	OMEGQPF10		
STEERING DAMPER	OMESD01	1	
	OMESD11		
CASTER KIT	OMECA77B	1	
OIL PAN PACKER KIT	FK25		

REAR <i>Estimated Lift: 40mm</i>	ALL MODELS		
	PART NUMBER	QTY	UNIT PRICE \$
SPRING: LIGHT LOAD	2GQ02A	1	
NITROCHARGER SPORT	60014	2	
NITROCHARGER	*N29 / N29C		
SPRING: MEDIUM LOAD	2GQ02B	1	
NITROCHARGER SPORT	60014	2	
NITROCHARGER	*N29 / N29C		
SPRING: CONSTANT 200 KGS	2GQ02D	1	
NITROCHARGER SPORT	60015	2	
NITROCHARGER	N29		
SWAY BAR EXT KIT	FK18	1	
	FK24		
GEAR BOX PACKER KIT	GQGK02		
TRIM PACKER	OMEGQPR05		
	OMEGQPR10		

REMARKS:

- 1** OMESD01 fits 2/2000 on models.
OMESD11 fits all models to 1/2000.
- 2** OMECA77B caster kit will increase caster angle by 3°. Check manufacturer's specifications to determine if OMECA77B kit is required.
- 3** FK25 Oil Pan Kits must be installed when fitting GQGK02 Gear Box Packer Kit.
When installing caster kit OMECA77B an additional FK25 oil pan kit is required.
- 4** FK18: Rear sway bar extension bracket is mandatory fitment to models with fixed sway bar to prevent damage to sway bar when suspension is at full extension. FK24 suits models with detachable sway bar.
- 5** GQGK02 Gear Box Packer Kit is designed to space down the gear box cross member from the chassis to reduce tail shaft flange angle thereby reducing driveline vibration. In some cases 2 kits may be required.

PATROL GU Y61 ALL COIL CAB CHASSIS MODELS

FRONT <i>Estimated Lift: 50mm</i>	ALL 4.2 DIESEL ENGINES			3.0 TURBO DIESEL ENGINES		
	PART NUMBER	QTY	UNIT PRICE \$	PART NUMBER	QTY	UNIT PRICE \$
SPRING: TO 50 KGS	2970	1		2973	1	
NITROCHARGER SPORT	60012	2		60012	2	
NITROCHARGER	*N19 / N19C			*N19 / N19C		
SPRING: 51 TO 110 KGS	2971	1		2970	1	
NITROCHARGER SPORT	60013	2		60013	2	
NITROCHARGER	N19			N19		
STEERING DAMPER	OMESD11	1		OMESD11	1	
CASTER KIT	OMECA77B 1	1		OMECA77B 1	1	
TRIM PACKER	OMEGQPF05	2		OMEGQPF05	2	
	OMEGQPF10			OMEGQPF10		

REAR <i>Estimated Lift: 50mm</i>	ALL MODELS		
	PART NUMBER	QTY	UNIT PRICE \$
SPRING: MEDIUM LOAD	2983	1	
NITROCHARGER SPORT	60014	2	
NITROCHARGER	N29		
SPRING: CONSTANT 200 KGS	2984	1	
NITROCHARGER SPORT	60015	2	
NITROCHARGER	N29		
SPRING: CONSTANT 400 KGS	2985	1	
NITROCHARGER SPORT	60015	2	
NITROCHARGER	N29		
FITTING KIT	FK18 3	1	
TRIM PACKER	Do not use Packers		

REMARKS:

- 1 OMECA77B caster kit will increase caster angle by 3°. Check manufacturer's specifications to determine if OMECA77B kit is required.
- 2 Coil trim packers may be required to trim vehicle to a maximum of 15mm. Packers must be installed to the bottom on front coil.
- 3 FK18 rear sway bar extension bracket is mandatory fitment to prevent damage to sway bar when suspension is at full extension.

PATROL GU Y61 CAB CHASSIS COIL: FRONT / LEAF: REAR

FRONT <i>Estimated Lift: 50mm</i>	ALL 4.2 DIESEL ENGINES			3.0 TURBO DIESEL ENGINES		
	PART NUMBER	QTY	UNIT PRICE \$	PART NUMBER	QTY	UNIT PRICE \$
SPRING: TO 50 KGS	2970	1		2973	1	
NITROCHARGER SPORT	60055	2		60055	2	
NITROCHARGER	*N19 / N19C			*N19 / N19C		
SPRING: 51 TO 110 KGS	2971	1		2970	1	
NITROCHARGER SPORT	60055	2		60055	2	
NITROCHARGER	N19			N19		
STEERING DAMPER	OMESD11	1		OMESD11	1	
CASTER KIT	OMECA77B 2	1		OMECA77B 2	1	
TRIM PACKER	OMEGQPF05 1			OMEGQPF05 1		
	OMEGQPF10 1			OMEGQPF10 1		

REAR <i>Estimated Lift: 50mm</i>	ALL MODELS		
	PART NUMBER	QTY	UNIT PRICE \$
SPRING: MEDIUM LOAD	CS016RA / B 4	1 + 1	
NITROCHARGER SPORT	60054	2	
NITROCHARGER	N25		
SPRING: CONSTANT 400 KGS	CS016RA / B 4	1 + 1	
NITROCHARGER SPORT	60054	2	
NITROCHARGER	N25		
SPRING BUSH KIT	OMESB64	2	
ANTI INVERSION KIT	FK08 3	1	
GREASABLE SHACKLE KITS	OMEGS1	1	
	OMEGP2	1	

REMARKS:

- 1 Coil trim packers may be required to trim vehicle to a maximum of 15mm per coil. Packers must be installed to the bottom on front coils.
- 2 OMECA77B caster kit will increase caster angle by 3°. Check manufacturer's specifications to determine if OMECA77B kit is required.
- 3 FK08 anti inversion kit is mandatory fitment if greasable shackles are not fitted. Refer OME Technical & Fitting Manual.
- 4 For improved ride quality on vehicles carrying medium loads remove the 3rd leaf. Include Tray Weight in Constant Load Calculation.

PATROL GQ Y60 ALL SWB & LWB MODELS

FRONT <i>Estimated Lift: 40 - 50mm</i>	4.2 ENGINES			2.8 & 3.0 ENGINES		
	PART NUMBER	QTY	UNIT PRICE \$	PART NUMBER	QTY	UNIT PRICE \$
SPRING: TO 50 KGS	2975	1		2974	1	
NITROCHARGER SPORT	60012	2		60012	2	
NITROCHARGER	*N21 / N23F			*N21 / N23F		
SPRING: 51 TO 110 KGS	2976	1		2972	1	
NITROCHARGER SPORT	60013	2		60013	2	
NITROCHARGER	N21			N21		
SPRING: 50 KGS: 30mm LIFT	2974	1		NOT APPLICABLE		
NITROCHARGER SPORT	60012	2		-		
NITROCHARGER	*N21 / N23F			-		
TRIM PACKER	OMEGQPF05	1		OMEGQPF05	1	
	OMEGQPF10			OMEGQPF10		
STEERING DAMPER	OMESD36	1	5	OMESD36	1	5
	OMESD34			OMESD34		
CASTER KIT	OMECA77B	1	2	OMECA77B	1	2

REAR <i>Estimated Lift: 30 - 50mm</i>	LWB MODELS			SWB MODELS		
	PART NUMBER	QTY	UNIT PRICE \$	PART NUMBER	QTY	UNIT PRICE \$
SPRING: LIGHT LOAD	2GQ02C	1		2GQ02CM	1	
NITROCHARGER SPORT	60014	2		60014	2	
NITROCHARGER	N22F			N22F		
SPRING: MEDIUM LOAD	2GQ02AM	1		2GQ02C	1	
NITROCHARGER SPORT	60014	2		60014	2	
NITROCHARGER	*N29 / N22F			*N29 / N22F		
SPRING: CONSTANT 200 KGS	2GQ02J	1		2GQ02G	1	
NITROCHARGER SPORT	60015	2		60015	2	
NITROCHARGER	N29			N29		
	LPG CONVERSIONS			LPG CONVERSIONS		
SPRING: MEDIUM LOAD	2GQ02LP	1	4	2GQ02LP	1	4
NITROCHARGER SPORT	60014	2		60014	2	
NITROCHARGER	N29			N29		
TRIM PACKER	Do not use Packers			Do not use Packers		
GEAR BOX PACKER KIT	GQGK01	1	3	GQGK01	1	3

REMARKS:

- 1 Coil trim packers may be required to trim vehicle to a maximum of 15mm per coil. Packers must be installed to the top on rear coils and to the bottom on front coils.
- 2 OMECA77B caster kit will increase caster angle by 3°. Check manufacturer's specifications to determine if OMECA77B kit is required.
- 3 Gearbox packer kit is designed to space down the gearbox cross member from the chassis to reduce tail shaft flange angle thereby reducing driveline vibration.
- 4 LPG conversion equated to 100-125 litre rear mounted gas tank and a 70-75 litre mid mounted auxiliary petrol tank.
- 5 OMESD36 fits 8/89 models onwards.
OMESD34 fits pre 8/89 models.

PATROL GQ Y60 CAB CHASSIS COIL SPRING MODELS

FRONT <i>Estimated Lift: 50mm</i>	4.2 ENGINES		
	PART NUMBER	QTY	UNIT PRICE \$
SPRING: TO 50 KGS	2975	1	
NITROCHARGER SPORT	60012	2	
NITROCHARGER	N23F		
SPRING: 51 TO 110 KGS	2976	1	
NITROCHARGER SPORT	60013	2	
NITROCHARGER	N21		
TRIM PACKER	OMEGQPF05	1	
	OMEGQPF10		
STEERING DAMPER	OMESD36	1	
CASTER KIT	OMECA77B	1	

REAR <i>Estimated Lift: 40 - 50mm</i>	ALL MODELS		
	PART NUMBER	QTY	UNIT PRICE \$
SPRING: MEDIUM LOAD 40mm LIFT	2GQ02C	1	
NITROCHARGER SPORT	60014	2	
NITROCHARGER	N22F		
SPRING: CONSTANT 200 KGS	2GQ02J	1	
NITROCHARGER SPORT	60015	2	
NITROCHARGER	N29		
TRIM PACKER	OMEGQPR05	1	
	OMEGQPR10		
GEAR BOX PACKER KIT	GQGK01	1	

REMARKS:

- 1** Coil trim packers may be required to trim vehicle to a maximum of 15mm per coil. Packers must be installed to the top on rear coils and to the bottom on front coils.
- 2** OMECA77B caster kit will increase caster angle by 3°. Check manufacturer's specifications to determine if OMECA77B kit is required.
- 3** Include Tray Weight in Constant Load Calculation.
- 4** Gearbox packer kit is designed to space down the gearbox cross member from the chassis to reduce tail shaft flange angle thereby reducing driveline vibration.

PATROL GQ Y60 UTE & CAB CHASSIS LEAF SPRING MODELS

FRONT <i>Estimated Lift: 30mm</i>	4.2 ENGINES		
	PART NUMBER	QTY	UNIT PRICE \$
SPRING: TO 50 KGS	CS003F 1	2	
NITROCHARGER SPORT	60068	2	
NITROCHARGER	N28		
SPRING: 51 TO 110 KGS	CS004F 1	2	
NITROCHARGER SPORT	60068	2	
NITROCHARGER	N28		
SPRING BUSH KIT	OMESB1	2	
GREASABLE SHACKLE KITS	OMEGS2	1	
	OMEGP2	1	
STEERING DAMPER	OMESD22	1	

REMARKS:

- 1 CBS02 x 2 centre bolt spacers required for front spring fitment.
- 2 FK08 Anti Inversion Kit is mandatory fitment if greasable shackles are not fitted. Refer OME Technical & Fitting Manual.
- 3 Include Tray Weight in Constant Load Calculation.

REAR <i>Estimated Lift: 45mm</i>	ALL MODELS		
	PART NUMBER	QTY	UNIT PRICE \$
SPRING: CONSTANT 400 KGS	CS016RA / B 3	1 + 1	
NITROCHARGER SPORT	60054	2	
NITROCHARGER	N25		
SPRING: CONSTANT 600 KGS	CS016RA / B 3	1 + 1	
NITROCHARGER SPORT	60054	2	
NITROCHARGER	N25		
SPRING BUSH KIT	OMESB64	2	
GREASABLE SHACKLE KITS	OMEGS1	1	
	OMEGP2	1	
U BOLTS	OMEU58B	4	
ANTI INVERSION KIT	FK08 2	1	

PATROL MQ 260 LWB SPANISH BUILT ALL 2.8TD MODELS

FRONT <i>Estimated Lift: 30 - 40mm</i>	PETROL & DIESEL ENGINES		
	PART NUMBER	QTY	UNIT PRICE \$
SPRING: TO 50 KGS	CS016F 1	2	
NITROCHARGER	*N19/N19C	2	
SPRING: 51-100 KGS	CS016F	2	
NITROCHARGER	N19	2	
SPRING BUSH KIT	OMESB3	2	
	OMESB29	2	
U BOLTS	OMEU56	2	
	OMEU57 2	2	

REMARKS:

- 1 To improve ride quality remove 3rd leaf from top of spring.
- 2 Front U Bolt:
OMEU56 fits to right hand side.
OMEU57 fits to left hand side.

REAR <i>Estimated Lift: 50mm</i>	ALL MODELS		
	PART NUMBER	QTY	UNIT PRICE \$
SPRING: MEDIUM LOAD	CS011R	2	
NITROCHARGER	N89	2	
SPRING: CONSTANT 200 KGS	CS012R	2	
NITROCHARGER	* N42 / N89	2	
SPRING BUSH KIT	OMESB2	2	
	OMESB29	2	
U BOLTS	OMEU58	4	

PATROL MQ M60 ALL MODELS

FRONT <i>Estimated Lift: 30 - 40mm</i>	PETROL & DIESEL ENGINES		
	PART NUMBER	QTY	UNIT PRICE \$
SPRING: TO 50 KGS	CS010FA / B ¹	1 + 1	
NITROCHARGER	EARLY *N47/N96	2	
	LATE N49		
SPRING: 51 TO 110 KGS	CS011FA / B ¹	1 + 1	
NITROCHARGER	EARLY *N47/N96	2	
	LATE N49		
SPRING BUSH KIT	OMESB28 ²	2	
	OMESB29		
SPRING BUSH KIT	OMESB31 ²	2	
	OMESB29		
U BOLTS	OMEU56 ⁴	2	
	OMEU57	2	
STEERING DAMPER	OMESD22	1	

REAR <i>Estimated Lift: 50mm</i>	ALL MODELS		
	PART NUMBER	QTY	UNIT PRICE \$
SPRING: MEDIUM LOAD	CS011R	2	
NITROCHARGER	N97	2	
SPRING: CONSTANT 200 KGS	CS012R	2	
NITROCHARGER	N48	2	
SPRING BUSH KIT	OMESB2 ³	2	
	OMESB29		
U BOLTS	OMEU58	4	

REMARKS:

- 1** Models with P40 4 litre engine require CS011FA / B springs.
Individual vehicles fitted with A / B fitment may experience a pronounced trimming problem to right hand side.
In these cases fitment of an XL leaf to the right hand side will correct problem.
- 2** Front spring bushes:
Early model (round headlight) require
OMESB28 and OMESB29.
Late model (square headlight) require
OMESB31 and OMESB29.
- 3** OME bush kits must be used to enable springs to be fitted.
- 4** Front U bolt : OMEU56 fits to right hand side.
OMEU57 fits to left hand side.

NAVARA D40 2005 ON ALL MODELS (USA - NISSAN FRONTIER)

FRONT <i>Estimated Lift: 20 - 30mm</i>	DIESEL & V6 PETROL		
	PART NUMBER	QTY	UNIT PRICE \$
SPRINGS: TO 40 KGS	2607	1	
STRUT - SPORT	90003	2	
STRUT	N183S	1	
SPRINGS: 41 TO 80 KGS	2608	1	
STRUT - SPORT	90003	2	
STRUT	N183S	1	

REAR <i>Estimated Lift: 40mm</i>	ALL MODELS		
	PART NUMBER	QTY	UNIT PRICE \$
SPRING: MEDIUM LOAD	CS150R	2	
NITROCHARGER SPORT	60017	2	
NITROCHARGER	N185	2	
SPRING BUSH KIT	OMESB99	2	
	OMESB100	2	
SPRING: CONSTANT 400 KGS	CS151R	2	
NITROCHARGER SPORT	60017	2	
NITROCHARGER	N185	2	
SPRING BUSH KIT	OMESB99	2	
	OMESB100	2	
GREASABLE SHACKLE KIT	OMEGS15	1	
U BOLTS	OMEU53A	4	

REMARKS:

- 1** OE plastic stone shield must be refitted. No top mounting bushes supplied, re-use OE bushes.
- 2** Use: OMESB99 with OE Shackles. OMESB100 when installing OMEGS15.
- 3** Include Tray Weight in Constant Load Calculation.
- 4** OE U Bolt plate bolt holes may need to be enlarged when fitting OME U Bolts.

NAVARA D22 10/2002 ON ALL MODELS

NP300 2008 ON ALL MODELS

FRONT	PART NUMBER	QTY	UNIT PRICE \$
TORSION BARS: OVER 50 KGS	303007	1	
NITROCHARGER SPORT	60034	2	
NITROCHARGER	N151	2	

REMARKS:

- 1** Raise or lower front end clearance and trim vehicle by adjusting front torsion bars. Important: A minimum of 60mm of droop must be maintained.

REAR <i>Estimated Lift: 30mm</i>	ALL MODELS		
	PART NUMBER	QTY	UNIT PRICE \$
SPRING: MEDIUM LOAD	CS032R	2	
NITROCHARGER SPORT	60035	2	
NITROCHARGER	N56	2	
SPRING: CONSTANT 200 KGS	CS031R	2	
NITROCHARGER SPORT	60035	2	
NITROCHARGER	N59	2	
SPRING BUSH KIT	OMESB91	2	
U BOLTS	OMEU63	4	

- 2** It may be necessary to slightly increase the clearance in the front wishbone to allow shock absorber to fit. Do not modify shock absorber.
- 3** Include Tray Weight in Constant Load calculation. For constant 400kg loads, add D18XL to CS031R.
- 4** CS032R has a 25mm lower cambered 2nd stage for improved ride quality, however under heavy load this will cause the ride height to be 25mm lower.

NAVARA D21 & D22 TO 8/2002 ALL MODELS

FRONT	PART NUMBER	QTY	UNIT PRICE \$
TORSION BARS: OVER 50 KGS	303007	1	
	303008		
NITROCHARGER SPORT	60021	2	
NITROCHARGER	N58		
STEERING DAMPER	OMESD35	1	

REAR <i>Estimated Lift: 30mm</i>	ALL MODELS		
	PART NUMBER	QTY	UNIT PRICE \$
SPRING: MEDIUM LOAD	CS030R	2	
NITROCHARGER SPORT	60035	2	
NITROCHARGER	N56		
SPRING: CONSTANT 200 KGS	CS031R	2	
NITROCHARGER SPORT	60035	2	
NITROCHARGER	N59		
SPRING BUSH KIT	OMESB81	2	
U BOLTS	OMEU63	4	

REMARKS:

- 1** Raise or lower front end clearance and trim vehicle by adjusting front torsion bars.
303007 suits D22 & 303008 suits D21 models.
Important: A minimum of 60mm of droop must be maintained.
- 2** It may be necessary to slightly increase the clearance in the front wishbone to allow shock absorber to fit.
Do not modify shock absorber.
- 3** On later models steering damper was not fitted. Check vehicle to confirm it does have an original steering damper fitted.
- 4** For constant 400kg loads, add D18XL to CS031R.
Include Tray Weight in Constant Load Calculation.

PATHFINDER R51 2005 ON (NOT USA MANUFACTURED MODEL)

FRONT <i>Estimated Lift: 30mm</i>	DIESEL & V6 PETROL		
	PART NUMBER	QTY	UNIT PRICE \$
SPRING: TO 40 KGS	2607	1	
STRUT - SPORT	90003	2	
STRUT	N183S		
SPRING: 41 TO 100 KGS	2608	1	
STRUT - SPORT	90003	2	
STRUT	N183S		

REMARKS:

- 1** OE plastic stone shield must be refitted and a 4 Wheel alignment must be carried out after fitment of OME suspension. No top mounting bushes supplied, re-use OE bushes

REAR <i>Estimated Lift: 30mm</i>	ALL MODELS		
	PART NUMBER	QTY	UNIT PRICE \$
SPRING: MEDIUM LOAD	2609	1	
NITROCHARGER SPORT	60016	2	
NITROCHARGER	N184		
SPRING: CONSTANT 200 KGS	2610	1	
NITROCHARGER SPORT	60016	2	
NITROCHARGER	N184		

PATHFINDER R50 1996 - 2005 V6 MODELS

FRONT <i>Estimated Lift: 15mm</i>	V6 MODELS		
	PART NUMBER	QTY	UNIT PRICE \$
SPRING: NO ACCESSORIES	2921	1	
SPRING: TO 50 KGS	2923	1	
SPRING: 51 TO 100 KGS	2928	1	
STRUT	PRODUCT UNDER REVIEW		
FITTING KIT	SMP638	1	

REAR <i>Estimated Lift: 20mm</i>	ALL MODELS		
	PART NUMBER	QTY	UNIT PRICE \$
SPRING: MEDIUM LOAD	2922	1	
NITROCHARGER	N61	2	
	N104		

REMARKS:

- 1** N61: Suit models to 1/99. N104: Suit models from 2/99 on.

PATHFINDER TO LATE 1995 ALL MODELS

FRONT	PART NUMBER	QTY	UNIT PRICE \$
	TORSION BARS	-	1
NITROCHARGER SPORT	60031	2	
NITROCHARGER	N26F		
STEERING DAMPER	OMESD35	1	

REAR <i>Estimated Lift: 20mm</i>	ALL MODELS		
	PART NUMBER	QTY	UNIT PRICE \$
SPRING: MEDIUM LOAD	2920	1	
NITROCHARGER SPORT	* 60064 / 60032	2	
NITROCHARGER	*N42 / N89		

REMARKS:

- 1** Raise or lower front end clearance and trim vehicle by adjusting front torsion bars. Important: A minimum of 60mm of droop must be maintained.
- 2** It may be necessary to slightly increase the clearance in the front wishbone to allow shock absorber to fit. Do not modify shock absorber.

TERRANO II R20 1996 - 2005

FRONT	PETROL & DIESEL ENGINES		
	PART NUMBER	QTY	UNIT PRICE \$
TORSION BARS	-	1	
NITROCHARGER SPORT	60031	2	
NITROCHARGER	*N65 / N26F		

REAR <i>Estimated Lift: 20mm</i>	ALL MODELS		
	PART NUMBER	QTY	UNIT PRICE \$
SPRING: MEDIUM LOAD	2920	1	
NITROCHARGER SPORT	60058	2	
NITROCHARGER	N30		

REMARKS:

- 1** Raise or lower front end clearance and trim vehicle by adjusting front torsion bars.
- 2** It may be necessary to slightly increase the clearance in the front wishbone to allow shock absorber to fit.
Do not modify shock absorber.

XTERRA 2005 ON MODELS

FRONT <i>Estimated Lift: 30mm</i>	V6 PETROL ENGINE		
	PART NUMBER	QTY	UNIT PRICE \$
SPRINGS: TO 40 KGS	2607	1	
STRUT - SPORT	90003	2	
STRUT	N183S		
SPRINGS: 41 TO 80 KGS	2608	1	
STRUT - SPORT	90003	2	
STRUT	N183S		

REAR <i>Estimated Lift: 30mm</i>	ALL MODELS		
	PART NUMBER	QTY	UNIT PRICE \$
SPRING: MEDIUM LOAD	CS061R	2	
NITROCHARGER SPORT	60017	2	
NITROCHARGER	N185		
SPRING BUSH KIT	OMESB99	2	
	OMESB100		
GREASABLE SHACKLE KIT	OMEGB15	1	
U BOLTS	OMEU72	4	
FITTING KIT	FK42	1	
EXTRA LEAF	D37XL	2	

REMARKS:

- 1** No top mounting bushes supplied, re-use OE bushes.
- 2** OMESB99 suits factory shackles.
OMESB100 suits OMEGB15 Greasable Shackle Kit.
- 3** FK42 is a mandatory fitment to space sway bar link away from shock absorber.
- 4** CS061R with D37XL provides approximately 60mm lift over factory with no additional rear load.
CS061R with D37XL provides approximately 30mm lift over factory with constant 200KGs additional rear load

MUSSO, SPORT UTILITY & KORANDO 1995 - 2005

FRONT	PETROL & DIESEL ENGINES		
	PART NUMBER	QTY	UNIT PRICE \$
TORSION BARS	-		
NITROCHARGER SPORT	60031	2	
NITROCHARGER	N65		

REAR <i>Estimated Lift: 40mm</i>	ALL MODELS		
	PART NUMBER	QTY	UNIT PRICE \$
SPRING: MEDIUM LOAD	2937	1	
NITROCHARGER SPORT	UNDER DEVELOPMENT		
NITROCHARGER	N118	2	

SUZUKI

GRAND VITARA 4 DOOR 08/2005 - 2008 MODELS

FRONT <i>Estimated Lift: 20mm</i>	PETROL V6 (2.7) DIESEL (1.9)			PETROL 4 CYLINDER (2.0)		
	PART NUMBER	QTY	UNIT PRICE \$	PART NUMBER	QTY	UNIT PRICE \$
SPRING: TO 35 KGS	2623	1		2624	1	
STRUT	N217S + N218S <input type="checkbox"/>	1 + 1		N217S + N218S <input type="checkbox"/>	1 + 1	

REAR <i>Estimated Lift: 20mm</i>	ALL MODELS		
	PART NUMBER	QTY	UNIT PRICE \$
SPRING: MEDIUM LOAD	2625	1	
NITROCHARGER	OME036 <input type="checkbox"/>	2	

REMARKS:
 N217S, N218S and OME036 available July 2011

GRAND VITARA TO 2005

FRONT <i>Estimated Lift: 30mm</i>	PETROL 4 & 6 CYLINDER ENGINE			DIESEL ENGINE		
	PART NUMBER	QTY	UNIT PRICE \$	PART NUMBER	QTY	UNIT PRICE \$
SPRING: TO 35 KGS	2959	1		2962	1	
STRUT	N103S	2		N103S	2	
SPRING: 36 TO 75 KGS	2962	1		2962 <input type="checkbox"/>	1	
STRUT	N103S	2		N103S	2	

REAR <i>Estimated Lift: 30mm</i>	ALL MODELS		
	PART NUMBER	QTY	UNIT PRICE \$
SPRING: MEDIUM LOAD	2961	1	
NITROCHARGER	N105	2	

REMARKS:
 Coil Packer OMESJR10 can be used to increase ride height.

VITARA WAGON 1988 - 2005

FRONT <i>Estimated Lift: 25 - 30mm</i>	V6 PETROL ENGINE		
	PART NUMBER	QTY	UNIT PRICE \$
SPRING: TO 35 KGS	2950	1	
STRUT	N103S	2	
SPRING: 36 TO 75 KGS	2959	1	
STRUT	N103S	2	

REAR <i>Estimated Lift: 30mm</i>	ALL MODELS		
	PART NUMBER	QTY	UNIT PRICE \$
SPRING: LIGHT LOAD	2954	1	
NITROCHARGER	N105	2	
SPRING: MEDIUM LOAD	2955	1	
NITROCHARGER	N105	2	

VITARA WAGON 1988 - 2005

FRONT <i>Estimated Lift: 30mm</i>	4 CYLINDER PETROL ENGINE		
	PART NUMBER	QTY	UNIT PRICE \$
SPRING: TO 35 KGS	2960	1	
STRUT	N103S	2	
SPRING: 36 TO 75 KGS	2953	1	
STRUT	N103S	2	

REAR <i>Estimated Lift: 30mm</i>	ALL MODELS		
	PART NUMBER	QTY	UNIT PRICE \$
SPRING: LIGHT LOAD	2954	1	
NITROCHARGER	N105	2	
SPRING: MEDIUM LOAD	2955	1	
NITROCHARGER	N105	2	

VITARA SWB TO 2005

FRONT <i>Estimated Lift: 30mm</i>	4 CYLINDER PETROL ENGINE		
	PART NUMBER	QTY	UNIT PRICE \$
SPRING: TO 35 KGS	2951	1	
STRUT	N103S	1 2	

REAR <i>Estimated Lift: 30mm</i>	ALL MODELS		
	PART NUMBER	QTY	UNIT PRICE \$
SPRING: MEDIUM LOAD	2952	1	
NITROCHARGER	N32	2 2	

REMARKS:

- 1 Front strut has 40mm longer travel than original equipment.
- 2 Rear shock has 50mm longer travel than original equipment.

XL7 WAGON 2001 - 2005

FRONT <i>Estimated Lift: 25mm</i>	PETROL ENGINE			DIESEL ENGINE		
	PART NUMBER	QTY	UNIT PRICE \$	PART NUMBER	QTY	UNIT PRICE \$
SPRING: NO ACCESSORIES	2956	1		2962	1	
STRUT	N103S ¹	2		N103S ¹	2	
BUMP STOP SPACER KIT	FK28 ¹	1		FK28 ¹	1	

REAR <i>Estimated Lift: 35mm</i>	ALL MODELS		
	PART NUMBER	QTY	UNIT PRICE \$
SPRING: MEDIUM LOAD	2968	1	
NITROCHARGER	N105	2	

REMARKS:

- 1** FK28 Bump Stop Spacer Kit is a mandatory fitment with N103S Struts.

EQUATOR (US MARKET ONLY)

FRONT <i>Estimated Lift: 30mm</i>	DIESEL & V6 PETROL		
	PART NUMBER	QTY	UNIT PRICE \$
SPRINGS: TO 40 KGS	2607	1	
STRUT - SPORT	90003 ¹	2	
STRUT	N183S		
SPRINGS: 41 TO 80 KGS	2608	1	
STRUT - SPORT	90003 ¹	2	
STRUT	N183S		

REAR <i>Estimated Lift: 40mm</i>	ALL MODELS		
	PART NUMBER	QTY	UNIT PRICE \$
SPRING: MEDIUM LOAD	CS150R	2	
NITROCHARGER SPORT	60017	2	
NITROCHARGER	N185		
SPRING BUSH KIT	OMESB99 ²	2	
	OMESB100		
SPRING: CONSTANT 400 KGS	CS151R	2	
NITROCHARGER SPORT	60017	2	
NITROCHARGER	N185		
SPRING BUSH KIT	OMESB95 ²	2	
	OMESB96		
GREASABLE SHACKLE KIT	OMECS15 ²	1	
U BOLTS	OMEU53A ³	4	

REMARKS:

- 1** OE plastic stone shield must be refitted. No top mounting bushes supplied, re-use OE bushes.
- 2** CS150R: Use: OMESB99 with OE Shackles. OMESB100 when installing OMECS15.
CS051R: Use: OMESB95 with OE Shackles. OMESB96 when installing OMECS15.
- 3** OE U Bolt plate bolt holes may need to be enlarged when fitting OME U Bolts.

SIERRA / SAMURAI ALL LEAF SPRING MODELS (SJ413)

STD TRACK : 1984 - 1988

SJ50 - SWB

SJ51 - LWB

WIDE TRACK : 1988 - 1996

SJ70 - SWB (also fits MG410)

SJ71 - LWB (also fits MG410WT)

Note: MG410 & MG10WT are Indian built LWB models.

FRONT <i>Estimated Lift: 40mm</i>	1.0 LITRE			1.3 LITRE		
	PART NUMBER	QTY	UNIT PRICE \$	PART NUMBER	QTY	UNIT PRICE \$
SPRING: TO 25 KGS	CS012FA / B ⁵	1 + 1		CS012FA / B ⁵	1 + 1	
NITROCHARGER	OME015	2		OME025	2	
SPRING: 26 TO 75 KGS	CS013FA / B ⁵	1 + 1		CS013FA / B ⁵	1 + 1	
NITROCHARGER	OME025	2		OME025	2	
SPRING BUSH	OMESB19 ¹	2		OMESB19 ¹	2	
	OMESB25			OMESB25		
U BOLTS	Required ³	4		Required ³	4	
FITTING KIT	FK06 ⁴	1		FK06 ⁴	1	
TRIM PACKER	TP05			TP05		
STEERING DAMPER	OMESD30	1		OMESD30	1	

REAR <i>Estimated Lift: 40mm</i>	ALL MODELS		
	PART NUMBER	QTY	UNIT PRICE \$
SPRING: MEDIUM LOAD	CS038R	2	
NITROCHARGER	OME013 ²	2	
	N43		
SPRING: CONSTANT 100 KGS	CS039R	2	
NITROCHARGER	OME013 ²	2	
	N43		
SPRING BUSH KIT	OMESB19 ¹	2	
	OMESB25		
U BOLTS	Required ³	4	
TRIM PACKER	TP05		

REMARKS:

1 OMESB19 bush kit fits all models except LJ50. OMESB25 bush kit only fits model LJ50.

2 OME013 fits all models except LJ80 and LJ80 II. N43 fits all LJ80 and LJ80 II models.

3 88 to '96 1300cc Wide Track Models:

Front: D/S OMEU61 x 1, OMEU61B x 1 P/S OMEU60 x 2

Rear: OMEU60 x 4

84 to '88 1300cc STD Track Models:

Front: D/S OMEU61 x 1, OMEU61B x 1 P/S OMEU62 x 2

Rear: OMEU62 x 4

81 to '87 1000cc Models:

Front: D/S OMEU61 x 1, OMEU61B x 1 P/S OMEU60 x 2

Rear: OMEU60 x 4

4 FK06 kit required for model with OE stabiliser bar. Refer OME Technical & Fitting Manual.

5 IMPORTANT: Sierras used in extreme heavy off road use eg. Station mustering must have CS013FA + B installed.

SANTANA SAMURAI TO 2004 SWB & LWB MODELS

FRONT <i>Estimated Lift: 30 - 40mm</i>	1.3 LITRE PETROL			1.9 LITRE DIESEL		
	PART NUMBER	QTY	UNIT PRICE \$	PART NUMBER	QTY	UNIT PRICE \$
SPRING: TO 25 KGS - 40mm	CS012FA / B	1 + 1		CS013FA / B	1 + 1	
NITROCHARGER	OME034	2		OME034	2	
SPRING: 26 TO 75 KGS	CS013FA / B ¹	1 + 1		CS013FA / B ¹	1 + 1	
NITROCHARGER	OME034	2		OME034	2	
SPRING BUSH	OMESB19	2		OMESB19	2	
U BOLTS	OE ²			OE ²	4	
STEERING DAMPER	OMESD30 ³	1		OMESD30 ³	1	
TRIM PACKER	TP05			TP05		

REAR <i>Estimated Lift: 40mm</i>	SWB MODELS			LWB MODELS		
	PART NUMBER	QTY	UNIT PRICE \$	PART NUMBER	QTY	UNIT PRICE \$
SPRING: MEDIUM LOAD	CS038R	2		CS039R	2	
NITROCHARGER	OME035	2		OME035	2	
SPRING: CONSTANT 100KGS	CS039R	2		CS039R ⁴	2	
NITROCHARGER	OME035	2		OME035	2	
SPRING BUSH KIT	OMESB19	2		OMESB19	2	
U BOLTS	OE ²			OE ²		
TRIM PACKER	TP05			TP05		

REMARKS:

- 1** Fitment of XL Leaf D20XL is recommended for weight in excess of 26kg on diesel model & 75 kg on petrol model.
- 2** Front: LHS: OMEU60 x 2, RHS: OMEU61B x 2 Required when fitting CS013FA/B
Rear: OMEU60 x 4 Required when fitting CS039R.
- 3** OMESD30 can be fitted to models which have an OE Steering Damper.
- 4** Fitment of XL Leaf D21XL is recommended for LWB models with constant 100kg rear weight or OE hard top.

JIMNY SN413

FRONT <i>Estimated Lift: 40mm</i>	4 CYLINDER PETROL ENGINE			DIESEL ENGINE		
	PART NUMBER	QTY	UNIT PRICE \$	PART NUMBER	QTY	UNIT PRICE \$
SPRING: TO 35 KGS	2963	1		2965	1	
NITROCHARGER	OME028	2		OME028	2	
SPRING: 36 TO 85 KGS	2965	1		2969	1	
NITROCHARGER	OME028	2		OME028	2	

REAR <i>Estimated Lift: 40mm</i>	ALL MODELS		
	PART NUMBER	QTY	UNIT PRICE \$
SPRING:	2966 ¹	1	
	2967		
NITROCHARGER	OME029	2	
TRIM PACKER	OMESJR10		

REMARKS:

- 1** 2966 suits right hand drive models with a 20mm higher right hand side coil.
2967 suits left hand drive models with equal height coils.
If uncertain, compare original coil heights.

LANDCRUISER 200 SERIES WAGON*

FRONT <i>Estimated Lift: As Below</i>	ALL V8 DIESEL ENGINES		
	PART NUMBER	QTY	UNIT PRICE \$
SPRING: NO WEIGHT: 25mm LIFT	2700 1	1	
SPRING: 100 KGS: 25mm LIFT	2701 1	1	
SPRING: NO WEIGHT: 50mm LIFT	2702 1	1	
SPRING: 100 KGS: 50mm LIFT	2703 1	1	
STRUT - SPORT	90005	2	
STRUT	N208S 2		
COIL PACKER	OME95PF5 3		

FRONT <i>Estimated Lift: As Below</i>	V8 PETROL ENGINE		
	PART NUMBER	QTY	UNIT PRICE \$
SPRING: NO WEIGHT: 25mm LIFT	2704 1	1	
SPRING: 100 KGS: 25mm LIFT	2705 1	1	
SPRING: NO WEIGHT: 50mm LIFT	2700 1	1	
SPRING: 100 KGS: 50mm LIFT	2701 1	1	
STRUT - SPORT	90005	2	
STRUT	N208S 2		
COIL PACKER	OME95PF5 3		

REAR <i>Estimated Lift: As Below</i>	ALL MODELS		
	PART NUMBER	QTY	UNIT PRICE \$
SPRING: MEDIUM LOAD: LESS 20mm	2720	1	
NITROCHARGER SPORT	60029	2	
NITROCHARGER	N209		
SPRING: MEDIUM LOAD: NO LIFT	2721	1	
NITROCHARGER SPORT	60029	2	
NITROCHARGER	N209		
SPRING: MEDIUM LOAD: 20mm LIFT	2722	1	
NITROCHARGER SPORT	60029	2	
NITROCHARGER	N209		
SPRING: CONSTANT 200 KGS: 20mm	2723	1	
NITROCHARGER SPORT	60030	2	
NITROCHARGER	N210		
SPRING: CONSTANT 400 KGS: 20mm	2724	1	
NITROCHARGER SPORT	60030	2	
NITROCHARGER	N210		
SPRING: CONSTANT 600 KGS: 20mm	2725	1	
NITROCHARGER SPORT	60030	2	
NITROCHARGER	N210		
TRIM PACKER	OME80PR05		
	OME80PR10		
STONE GUARD KIT	OME661 4	1	

SELECTION HINTS

The OME spring range has been developed to give owners the ability to reduce the very pronounced 75mm of rear to front rake of the original Toyota suspension. By carefully matching the OME front and rear springs the rake can be reduced to be between 20mm and 50mm. **NB: Where 20mm lift rear coils are selected they must be matched to 50mm lift front springs.**

*For Fitment to Models with Toyota's KDSS (Kinetic Dynamic Suspension System) fitted, please refer to OME's Fitting Hints & Tips (OME Bulletin 70 LC200 KDSS Fitting Hints).

REMARKS:

- 1** OME Coils and strut can only be installed together due to different winding of the lower coil end to suit the OME coil seat. They are not compatible with the OE Coil Seat. Due to the nature of the KDSS, models fitted with KDSS may experience a characteristic 10mm to 15mm lean to the front right hand side.
- 2** No top mounting bushes supplied, re-use OE bushes.
- 3** To maintain ride height when front accessory weight exceed 100 KGS, OME95PF5 coil packer should be installed, each OME95PF5 will increase ride height by 10mm.
- 4** OME661 lower shock stone guards are recommended fitment for protection against stone damage.

LANDCRUISER 100 SERIES INDEPENDENT FRONT SUSPENSION

FRONT	PETROL & DIESEL ENGINES		
	PART NUMBER	QTY	UNIT PRICE \$
TORSION BARS: OVER 75 KGS	303001	1	
	303002		
NITROCHARGER SPORT	*60001 / 60000	2	
NITROCHARGER	*N199 / N133 / N100		
FITTING KIT	FK27	1	

REAR <i>Estimated Lift: 10mm</i>	ALL MODELS 10/2000 ON			10/98 TO 2000 V8 MODELS		
	PART NUMBER	QTY	UNIT PRICE \$	PART NUMBER	QTY	UNIT PRICE \$
SPRING: MEDIUM LOAD	2860	1		2865	1	
NITROCHARGER SPORT	60002	2		60002	2	
NITROCHARGER	*N200 / N101			*N200 / N101		
SPRING: CONSTANT 200 KGS	2863	1		2866	1	
NITROCHARGER SPORT	*60003 / 60002	2		*60003 / 60002	2	
NITROCHARGER	*N200 / N101			*N200 / N101		
SPRING: CONSTANT 400 KGS	2864	1		-	-	
NITROCHARGER SPORT	60003	2		-	-	
NITROCHARGER	N200			-		
SPRING: MEDIUM LOAD	2866	1		-	-	
	2862			-		
NITROCHARGER SPORT	60002	2		-	-	
NITROCHARGER	*N200 / N101			-		
TRIM PACKER	OME80PR05	2		OME80PR05	2	
	OME80PR10			OME80PR10		
STONE GUARD KIT	OME661	1		OME661	1	

REMARKS:

- 1** Raise or lower front end clearance and trim vehicle by adjusting front torsion bars.
It is important that a minimum of 60mm of droop is maintained to prevent topping out of the front shock absorbers. 303001 suits V8 models. 303002 suits Turbo Diesel models.
NB: In some Middle Eastern Countries, 6 Cylinder Petrol LandCruiser 100 Series (IFS) use the longer turbo diesel torsion bars.
- 2** Packers must be installed on top of coils.
- 3** OME661 or OME662 (suits 40mm diameter control arms) lower shock mount stone guard is recommended fitment to rear shocks to protect against severe stone pepping encountered on loose road surfaces.
- 4** Original rear rake is 60mm approximately with OE coil rates of 145lbs/in or 25.5N/mm.
Customers wishing to lower the rear height but increase the load carrying ability can select from:
2866 - Reduces OE height by 10mm (rates 240 - 300lbs/in, 42 - 52.5N/mm).
2862 - Reduces OE height by 30mm (rates 240lbs/in, 42N/mm).
- 5** Due to the common problem of the lower control arm cracking when driven under hard conditions, the fitment of a FK27 lower control arm reinforcing bracket kit is strongly recommended.

LANDCRUISER 105 SERIES & 80 SERIES WAGONS LIVE AXLE FRONT SUSPENSION MODELS

FRONT <i>Estimated Lift: 10 - 50mm</i>	PETROL & DIESEL ENGINES		
	PART NUMBER	QTY	UNIT PRICE \$
SPRING: TO 50 KGS - 50mm	2851 1	1	
NITROCHARGER SPORT	60018	2	
NITROCHARGER	*N73 / N70		
SPRING: 51 TO 110 KG-50mm	2850 1	1	
NITROCHARGER SPORT	*60070 / 60018	2	
NITROCHARGER	N73		
SPRING: TO 110KG-10mm LIFT	2861 1	1	
NITROCHARGER SPORT	60070	2	
NITROCHARGER	N73		
TRIM PACKER	OME80PF05	3	
	OME80PF10		
STEERING DAMPER	OMESD24	1	
CASTER KIT	OMECA77B 2	1	

REAR <i>Estimated Lift: 20 - 50mm</i>	ALL MODELS		
	PART NUMBER	QTY	UNIT PRICE \$
SPRING: MEDIUM LOAD	2860 1	1	
NITROCHARGER SPORT	60020	2	
NITROCHARGER	*N74E / N71E		
SPRING: CONSTANT 200 KGS	2863 1	1	
NITROCHARGER SPORT	60020	2	
NITROCHARGER	N74E		
SPRING: CONSTANT 400 KGS	2864 1	1	
NITROCHARGER SPORT	60071	2	
NITROCHARGER	N74E		
SPRING: CONSTANT 600 KGS	2868 1	1	
NITROCHARGER SPORT	60071	2	
NITROCHARGER	N74E		
SPRING: MEDIUM 20mm LIFT	2862 1	1	
NITROCHARGER SPORT	60020	2	
NITROCHARGER	*N74E / N71E		
TRIM PACKER	OME80PR05	3	
	OME80PR10		
STONE GUARD KIT	OME661 4	1	

REAR <i>Estimated Lift: 50mm</i>	LPG CONVERSION		
	PART NUMBER	QTY	UNIT PRICE \$
SPRING: MEDIUM LOAD	2860 1	1	
NITROCHARGER SPORT	60020	2	
NITROCHARGER	*N74E / N71E		
SPRING: CONSTANT 200 KGS	2863 1	1	
NITROCHARGER SPORT	60020	2	
NITROCHARGER	N74E		
TRIM PACKER	OME80PR05	3	
	OME80PR10		
STONE GUARD KIT	OME661 4	1	

REMARKS:

- 1 For models built from 8/1991 add 20mm to lift height shown which is based on average for petrol and diesel engines.
- 2 OMECA77B caster kit will increase caster angle by 3°. Check manufacturer's specifications to determine if OMECA77B kit is required.
- 3 Packers must be installed on the top of Coil Springs.
- 4 OME662 or OME661 Lower shock mount stone guard is recommended fitment to protect against severe stone peppering encountered on loose road surfaces. OME662 will only fit models with 40mm diameter control arms.

PRADO 150 SERIES 2009 ON LWB* COIL SPRUNG MODELS ONLY

FRONT <i>Estimated Lift: 50mm</i>	V6 4.0L PETROL ENGINE			3.0L DIESEL ENGINE		
	PART NUMBER	QTY	UNIT PRICE \$	PART NUMBER	QTY	UNIT PRICE \$
SPRING: NO BAR	2884	1	1	2885	1	1
STRUT - SPORT	90010	2	2	90010	2	2
SPRING: BAR ONLY	2885	1	1	2887	1	1
STRUT - SPORT	90010	2	2	90010	2	2
SPRING: BAR AND WINCH	2887	1	1	2888	1	1
STRUT - SPORT	90010	2	2	90010	2	2
TRIM PACKER	OME95PF5	1		OME95PF5	1	

REAR <i>Estimated Lift: 50mm</i>	LWB MODELS		
	PART NUMBER	QTY	UNIT PRICE \$
SPRING:	2889	1	
NITROCHARGER SPORT	60080	2	
SPRING: CONSTANT 200 KGS	2898	1	
NITROCHARGER SPORT	*60081 / 60080	2	
SPRING: CONSTANT 400 KGS	2899	1	
NITROCHARGER SPORT	60081	2	
TRIM PACKER	OME150PR10		
STONE GUARD KIT	OME661	1	

*For Fitment to Models with Toyota's KDSS (Kinetic Dynamic Suspension System) fitted, please refer to OME's Fitting Hints & Tips (OME Bulletin 70 LC200 KDSS Fitting Hints).

REMARKS:

- 1** Vehicles with KDSS, must have 1 x OME95PF5 packer installed on the front right hand side to maintain correct trim.
- 2** No top mounting bushes supplied, re-use OE bushes.
- 3** OME661 lower shock mount stone guard is recommended fitment to rear shocks to protect against severe stone pepping encountered on loose road surfaces.

PRADO 120 SERIES 4/2003 - 2009 LWB & SWB EXCEPT TEMS MODELS (ELECTRONICALLY MODULATED SUSPENSION)

FRONT <i>Estimated Lift: 25mm</i>	PETROL & DIESEL ENGINES		
	PART NUMBER	QTY	UNIT PRICE \$
SPRING: TO 50 KGS	2883 1	1	
STRUT - SPORT	90000	2	
STRUT	*N140S / N139S 4		
SPRING: 51 TO 100 KGS	2884 1	1	
STRUT - SPORT	90000	2	
STRUT	*N201S / N140S 4		
SPRING: 101 TO 150 KGS	2885 1	1	
STRUT - SPORT	90000	2	
STRUT	N201S 4		
TRIM PACKER	OME95PF5		

REAR <i>Estimated Lift: 40mm</i>	LWB MODELS		
	PART NUMBER	QTY	UNIT PRICE \$
SPRING: MEDIUM LOAD	2895E 3	1	
	2895		
NITROCHARGER SPORT	60004	2	
NITROCHARGER	*N142 / N141 2		
SPRING: 150KGS - 400KGS	2896	1	
NITROCHARGER SPORT	*60005 / 60004	2	
NITROCHARGER	*N202 / N142 2		
SPRING: CONSTANT 400 KGS	2897	1	
NITROCHARGER SPORT	60005	2	
NITROCHARGER	N202 2		
STONE GUARD KIT	OME661	1	

REAR <i>Estimated Lift: 40mm</i>	SWB MODELS		
	PART NUMBER	QTY	UNIT PRICE \$
SPRING: MEDIUM LOAD	2895E	1	
NITROCHARGER SPORT	60004	2	
NITROCHARGER	*N142 / N141 2		
SPRING: 150KGS - 250KGS	2895	1	
NITROCHARGER SPORT	*60005 / 60004	2	
NITROCHARGER	*N202 / N142 2		
SPRING: CONSTANT 400 KGS	2896	1	
NITROCHARGER SPORT	60005	2	
NITROCHARGER	N202 2		
STONE GUARD KIT	OME661	1	

REMARKS:

- 1** To maintain front strut droop it is important front coils are selected as shown.
- 2** OME661 lower shock mount stone guard is recommended fitment to rear shocks to protect against severe stone pepping encountered on loose road surfaces.
- 3** 2895E suits LWB models without OE 2nd fuel tank. 2895 suits LWB models with OE 2nd fuel tank.
- 4** No top mounting bushes supplied, re-use OE bushes.

PRADO 90 SERIES TO 10/2002 LWB

FRONT <i>Estimated Lift: 40mm</i>	V6 PETROL ENGINES			DIESEL ENGINES		
	PART NUMBER	QTY	UNIT PRICE \$	PART NUMBER	QTY	UNIT PRICE \$
SPRING: TO 50 KGS	2880 1	1		2881 1	1	
STRUT - SPORT	90004	2		90004	2	
STRUT	N91S/N91SC					
SPRING: 51 TO 110 KGS	2881 1	1		2882 1	1	
STRUT - SPORT	90004	2		90004	2	
STRUT	*N91SB / N91S					
TRIM PACKER	OME95PF5			OME95PF5		

REAR <i>Estimated Lift: 40mm</i>	ALL MODELS		
	PART NUMBER	QTY	UNIT PRICE \$
SPRING: MEDIUM LOAD	2890	1	
NITROCHARGER SPORT	60028	2	
NITROCHARGER	N86 / N86C 2		
SPRING: CONSTANT 150 KGS	2891	1	
NITROCHARGER SPORT	*60027 / 60028	2	
NITROCHARGER	*N86B / N86 2		
SPRING: CONSTANT 300 KGS	2892	1	
NITROCHARGER SPORT	60027	2	
NITROCHARGER	*N86B / N86 2		
TRIM PACKER	OME80PF05		
	OME80PF10		
STONE GUARD KIT	OME661	1	

REMARKS:

- 1 To maintain front strut droop it is important front coils are selected as shown.
- 2 OME661 lower shock mount stone guard is recommended fitment to rear shocks to protect against severe stone pepping encountered on loose road surfaces.

TUNDRA 2007 ON

FRONT <i>Estimated Lift: 60mm</i>	PART NUMBER	QTY	UNIT PRICE \$
	SPRING: NO BAR	2612	1
STRUT	N192S 1	2	
SPRING: BAR ONLY	2614	1	
STRUT	N192S 1	2	
SPRING: BAR & WINCH	2613	1	
STRUT	N192S 1	2	

REMARKS:

- 1 No top mounting bushes supplied, re-use OE bushes.
- 2 Models with rear sway bar will require end link modifications to retain sway bar in operation.
- 3 FK32: Brake Line and ABS Wire Bracket Relocation Kit is a mandatory fitment.

REAR <i>Estimated Lift: 60mm</i>	PART NUMBER	QTY	UNIT PRICE \$
	SPRING: MEDIUM LOAD	CS055R 2	2
NITROCHARGER	N193	2	
XL LEAF	D28XL	2	
SPRING BUSH - BONDED RUBBER	SUPPLIED WITH SPRINGS		
U BOLTS	OMEU53B	4	
FITTING KIT	FK32 3	1	
GREASABLE SHACKLE KIT	OE		

FJ CRUISER 2010 ON

FRONT <i>Estimated Lift: 50mm</i>			
	PART NUMBER	QTY	UNIT PRICE \$
SPRING: NO ACCESSORIES	2883	1	
NITROCHARGER SPORT	90010 ¹	2	
SPRING: TO 60 KGS	2884	1	
NITROCHARGER SPORT	90010 ¹	2	
SPRING: 60 TO 120 KGS	2885	1	
NITROCHARGER SPORT	90010 ¹	2	
TRIM PACKER	OME95PF5		

REAR <i>Estimated Lift: 50mm</i>	ALL MODELS		
	PART NUMBER	QTY	UNIT PRICE \$
SPRING: LIGHT LOAD	2895E	1	
NITROCHARGER SPORT	60080	2	
SPRING: MEDIUM LOAD	2895	1	
NITROCHARGER SPORT	*60081 / 60080	2	
SPRING: CONSTANT 200 KGS	2896	1	
NITROCHARGER SPORT	60081	2	

FJ CRUISER 2006 TO 2010

FRONT <i>Estimated Lift: 50mm</i>			
	PART NUMBER	QTY	UNIT PRICE \$
SPRING: NO ACCESSORIES	2883	1	
STRUT - SPORT	90000 ¹	2	
STRUT	N140S		
SPRING: TO 60 KGS	2884	1	
STRUT - SPORT	90000 ¹	2	
STRUT	N140S		
SPRING: 60 TO 120 KGS	2885	1	
STRUT - SPORT	90000 ¹	2	
STRUT	N140S		
TRIM PACKER	OME95PF5		

REAR <i>Estimated Lift: 50mm</i>	ALL MODELS		
	PART NUMBER	QTY	UNIT PRICE \$
SPRING: LIGHT LOAD	2895E	1	
NITROCHARGER SPORT	60004	2	
NITROCHARGER	N141		
SPRING: MEDIUM LOAD	2895	1	
NITROCHARGER SPORT	60004	2	
NITROCHARGER	N141		

REMARKS:

1 No top mounting bushes supplied, re-use OE bushes.

FORTUNER 2004 ON

FRONT <i>Estimated Lift: 40mm</i>			
	PART NUMBER	QTY	UNIT PRICE \$
SPRING: TO 75 KGS	2883	1	
STRUT - SPORT	90002	2	
STRUT	*N167S / N166S ¹		
SPRING: 76 TO 120 KGS	2884	1	
STRUT - SPORT	90002	2	
STRUT	N167S ¹		
TRIM PACKER	OME95PF5		

REAR <i>Estimated Lift: 40mm</i>	ALL MODELS		
	PART NUMBER	QTY	UNIT PRICE \$
SPRING: MEDIUM LOAD	2802	1	
NITROCHARGER SPORT	60078	2	
NITROCHARGER	N191		
SPRING: CONSTANT 200 KGS	2803	1	
NITROCHARGER SPORT	60077	2	
NITROCHARGER	N191		

REMARKS:

1 No top mounting bushes supplied, re-use OE bushes.

LANDCRUISER 76 SERIES WAGON

FRONT <i>Estimated Lift: 50mm</i>	V8 DIESEL ENGINES		
	PART NUMBER	QTY	UNIT PRICE \$
SPRING: TO 60 KGS	2856	1	
NITROCHARGER SPORT	60008	2	
NITROCHARGER	N106		
SPRING: 61 TO 120 KGS	2859	1	
NITROCHARGER SPORT	60008	2	
NITROCHARGER	N181		
STEERING DAMPER	OMESD47	1	
CASTER KIT	OMECA77B	1	1
SWAY BAR SPACER KIT	FK19	4	1

REAR <i>Estimated Lift: 50mm</i>	ALL MODELS		
	PART NUMBER	QTY	UNIT PRICE \$
SPRING: MEDIUM	CS057R	2	
NITROCHARGER SPORT	60010	2	
NITROCHARGER	*N197 / N75E		
SPRING: CONSTANT 400KGS	CS058R	2	
NITROCHARGER SPORT	60011	2	
NITROCHARGER	N197		
SPRING BUSH KIT	OMESB86	2	
	OMESB85		
GREASABLE SHACKLE KIT	OMECS19	3	1
	OMEGP7		1
ANTI-INVERSION KIT	FK38	3	1
U BOLTS	OMEU59D	4	

REMARKS:

- 1 OMECA77B caster kit will increase caster angle by 3°. Check manufacturer's specifications to determine if required.
- 2 Be sure to select OME bush kits carefully:
 OMESB85: Use for all models when installing OME Greasable Shackles & Pins.
 OMESB86: Use when original shackles & pins are used.
- 3 To prevent springs from inverting it is mandatory that either OMECS19 Greasable Shackle Kit or FK38 Anti-Inversion Kit be installed.
- 4 Should the front drive shaft contact the sway bar when the suspension is at full droop, use FK19 Spacer Kit to pack the sway bar down.

LANDCRUISER 78 & 79 SERIES

FRONT <i>Estimated Lift: 40mm</i>	PETROL & DIESEL 6 CYLINDER ENGINE			V8 DIESEL ENGINES		
	PART NUMBER	QTY	UNIT PRICE \$	PART NUMBER	QTY	UNIT PRICE \$
SPRING: TO 50 KGS	2856 7	1		2859 7	1	
NITROCHARGER SPORT	60008	2		60008	2	
NITROCHARGER	*N181/N106			*N181/N106		
SPRING: 51 TO 120 KGS	2859 7	1		2853 7	1	
NITROCHARGER SPORT	60008	2		60008	2	
NITROCHARGER	N181			N181		
STEERING DAMPER	OMESD24 4	1		OMESD47	1	
	OMESD47	1				
CASTER KIT	OMECA77B 1	1		OMECA77B 1	1	
SWAY BAR SPACER KIT	FK19 5	1		FK19 5	1	
TRIM PACKER	OME79PF10			OME79PF10		

REAR <i>Estimated Lift: All Models: 45mm</i>	79 SERIES SINGLE CAB			78 SERIES TROOP CARRIER		
	PART NUMBER	QTY	UNIT PRICE \$	PART NUMBER	QTY	UNIT PRICE \$
SPRING: CONSTANT 200KGS	CS013R 6	2		CS013R 6	2	
NITROCHARGER SPORT	60010	2		60010	2	
NITROCHARGER	*N75F / N75E			*N75F / N75E		
SPRING: CONSTANT 400KGS	CS014R 6	2		CS014R 6	2	
NITROCHARGER SPORT	60011	2		60011	2	
NITROCHARGER	N197			N197		
SPRING: CONSTANT 600KGS	CS015R 6	2		CS015R 6	2	
NITROCHARGER SPORT	60011	2		60011	2	
NITROCHARGER	N197			N197		
SPRING BUSH KIT	OMESB101 2	2		OMESB86 2	2	
	OMESB84			OMESB85		
	OMESB85			-		
GREASABLE SHACKLE KIT	OMEGS10	1		OMEGS19	1	
	OMEGP7	1		OMEGP7	1	
U BOLTS	OMEU59B	4		OMEU59B	4	
SWAY BAR BRACKET KIT	NOT REQUIRED			FK34 3	1	

REMARKS:

- 1** OMECA77B caster kit will increase caster angle by 3°. Check manufacturer's specifications to determine if OMECA77B kit is required.
- 2** There is a difference between the shackles on Single Cab models and Troop Carrier models.
Be sure to select OME bush kits carefully:
OMESB101: Use on original shackles & pins for 79 Series Models from 07/2009 on.
OMESB84: Use on original shackles & pins for 79 Series Models to 06/2009.
OMESB85: Use for all models when installing OME greasable shackles & pins.
OMESB86: Use for Troop Carrier models when original shackles & pins are used.
- 3** FK34 Sway Bar Extension Bracket Kit must be installed to prevent damage to Sway Bar mounts, due to increased suspension travel
- 4** OMESD24 suits pre 2007 models (open length 651mm).
OMESD47 suits 2007on models (open length 750mm).
- 5** Should the front drive shaft contact the sway bar when the suspension is at full droop, use FK19 Spacer Kit to pack the sway bar down.
- 6** Include Tray Weight in Constant Load Calculation.
- 7** To maintain correct rear to front ride height rake, no more than 40mm of front lift should be accepted.

LANDCRUISER 75 SERIES

FRONT <i>Estimated Lift: 50mm</i>	PETROL ENGINES			DIESEL ENGINES		
	PART NUMBER	QTY	UNIT PRICE \$	PART NUMBER	QTY	UNIT PRICE \$
SPRING: TO 50 KGS	CS006F 1	2		CS006F	2	
NITROCHARGER SPORT	60009	2		60009	2	
NITROCHARGER	*N88 / N92			*N88 / N92		
SPRING: 51 TO 110 KGS	CS006F	2		CS007F	2	
NITROCHARGER SPORT	60063	2		60063	2	
NITROCHARGER	*N50 / N88			*N50 / N88		
U BOLTS	OMEU51	4		OMEU51	4	
SPRING BUSH KIT	OMESB1	2		OMESB1	2	
GREASABLE SHACKLE KITS	OMEGS2	1		OMEGS2	1	
	OMEGP1	1		OMEGP1	1	
STEERING DAMPER	OMESD24	1		OMESD24	1	
ANTI INVERSION KIT	FK08 2	1		FK08 2	1	

REAR <i>Estimated Lift: 70mm</i>	ALL MODELS		
	PART NUMBER	QTY	UNIT PRICE \$
SPRING: MEDIUM LOAD	CS006R 4	2	
NITROCHARGER SPORT	60010	2	
NITROCHARGER	*N75F / N75E		
SPRING: CONSTANT 400 KGS	CS007R 4	2	
NITROCHARGER SPORT	60011	2	
NITROCHARGER	N75F		
SPRING: CONSTANT 600 KGS	CS008R 4	2	
NITROCHARGER SPORT	60011	2	
NITROCHARGER	N75F		
SPRING BUSH KIT	OMESB16	2	
U BOLTS	OMEU59B	4	
GREASABLE SHACKLE KITS	OMEGS1 3	1	
	OMEGP2	1	
ANTI INVERSION KIT	FK08 2	1	

REMARKS:

- 1** Vehicles with no front accessory weight will require the removal of the 4th leaf from the top of the spring stack. This is to maintain good shackle angle by not allowing the bump stop measurement to exceed 100mm.
- 2** Shackles: FK08 anti inversion kit is mandatory fitment front and rear if greasable shackles are not fitted.
Note: Spring Caster Wedge OMECW2 (2° Caster Wedges) may be required to restore positive caster angle. Front end alignment check will indicate required adjustment.
- 3** There can be 2 spigot sizes in the rear fixed end pins on 75 Series LandCruisers.
Check for correct size before ordering greasable pins. Part numbers are:
50mm spigot = OMEGP2.
51mm spigot = OMEGP4.
- 4** Include Tray Weight in Constant Load Calculation.

LANDCRUISER HZJ71 & HZJ74 SWB & MWB

FRONT <i>Estimated Lift: 50mm</i>	DIESEL 4.2 ENGINES		
	PART NUMBER	QTY	UNIT PRICE \$
SPRING: TO 50 KGS	2856	1	
NITROCHARGER SPORT	60008	2	
NITROCHARGER	*N106		
SPRING: 51 TO 110 KGS	2859	1	
NITROCHARGER SPORT	60008	2	
NITROCHARGER	N106		
STEERING DAMPER	OMESD24	1	
CASTER KIT	OMECA77B 1	1	

REAR <i>Estimated Lift: 60mm</i>	ALL MODELS		
	PART NUMBER	QTY	UNIT PRICE \$
SPRING: MEDIUM LOAD	CS017RB 2	2	
NITROCHARGER SPORT	60044	2	
NITROCHARGER	N68		
SPRING: CONSTANT 250 KGS	CS004RB 2	2	
NITROCHARGER SPORT	60044	2	
NITROCHARGER	N75		
SPRING BUSH KIT	OMESB93 3	2	
U BOLTS	OMEU59A	4	
GREASABLE SHACKLE KITS	OMECS10	1	
	OMEGP7 3	1	

REMARKS:

- 1 OMECA77B caster kit will increase caster angle by 3°. Check manufacturer's specifications to determine if OMECA77B kit is required.
- 2 If rear bump stop measurements exceed 150mm remove 3rd leaf.
- 3 OME greasable shackles OMECS10 & OMEGP7 are mandatory fitment. OE shackles cannot be used.

LANDCRUISER II WAGON

FRONT <i>Estimated Lift: 30mm</i>			
	PART NUMBER	QTY	UNIT PRICE \$
SPRING: TO 50 KGS	2872	1	
NITROCHARGER	N77	2	
SPRING: 51 TO 110 KGS	2874	1	
NITROCHARGER	*N77B / N77	2	

REAR <i>Estimated Lift: 40mm</i>	ALL MODELS		
	PART NUMBER	QTY	UNIT PRICE \$
SPRING: MEDIUM LOAD	2873	1	
NITROCHARGER	N79	2	
SPRING: CONSTANT 100 KGS	2875	1	
NITROCHARGER	*N79B / N79	2	

BUNDERA RJ70 11/1984 - 1990

FRONT <i>Estimated Lift: 40mm</i>	PETROL & DIESEL ENGINES		
	PART NUMBER	QTY	UNIT PRICE \$
SPRING: TO 50 KGS	2870	1	
NITROCHARGER	N114	2	
SPRING: 51 TO 110 KGS	2876	1	
NITROCHARGER	N114	2	

REAR <i>Estimated Lift: 50mm</i>	ALL MODELS		
	PART NUMBER	QTY	UNIT PRICE \$
SPRING: MEDIUM LOAD	2871	1	
NITROCHARGER	N112	1	
	N113	1	

REMARKS:

- 1 N112 fits left hand side.
N113 fits right hand side.

LANDCRUISER 70, 73, 74 SERIES SWB & MWB

FRONT <i>Estimated Lift: 50mm</i>	PETROL & DIESEL ENGINES		
	PART NUMBER	QTY	UNIT PRICE \$
SPRING: TO 50 KGS	CS006F	2	
NITROCHARGER SPORT	60009	2	
NITROCHARGER	*N88 / N92		
SPRING: 51 TO 110 KGS	CS006F	2	
NITROCHARGER SPORT	60009	2	
NITROCHARGER	N88		
SPRING BUSH KIT	OMESB1	2	
U BOLTS	OMEU51	4	
GREASABLE SHACKLE KITS	OMEGS2	1	
	OMEGP1	1	
STEERING DAMPER	OMESD24	1	
ANTI INVERSION KIT	FK08	1	

REAR <i>Estimated Lift: 75mm</i>	ALL MODELS		
	PART NUMBER	QTY	UNIT PRICE \$
SPRING: MEDIUM LOAD	CS017RA / B	1 + 1	
NITROCHARGER SPORT	60062	2	
NITROCHARGER	N85		
SPRING: CONSTANT 200 KGS	CS004RA / B	1 + 1	
NITROCHARGER SPORT	60062	2	
NITROCHARGER	N85		
SPRING BUSH KIT	OMESB1	2	
U BOLTS	OMEU59A	4	
GREASABLE SHACKLE KITS	OMEGS2	1	
	GSP01	1	
ANTI INVERSION KIT	FK08	1	

REMARKS:

- 1 Vehicles with no front accessory weight will require the removal of the 4th leaf from the top of the spring stack. This is to maintain good shackle angle by not allowing the bump stop measurement to exceed 100mm.
- 2 If bump stop measurement exceeds 150 - 160mm remove 3rd leaf from top of spring stack to prevent shock absorber from topping out.
- 3 Shackles: FK08 anti inversion kit is mandatory fitment front and rear if greasable shackles are not fitted. Note: Spring Caster Wedge OMECW2 (2° Caster Wedges) may be required to restore positive caster angle. Front end alignment check will indicate required adjustment.
- 4 There can be 2 spigot sizes of the rear fixed end pins. Check spigot size before ordering greasable pins. 50mm spigot = OMEGP2 51mm spigot = OMEGP4

LANDCRUISER 60, 61 & 62 SERIES

FRONT <i>Estimated Lift: 50mm</i>	PETROL ENGINES			DIESEL ENGINES		
	PART NUMBER	QTY	UNIT PRICE \$	PART NUMBER	QTY	UNIT PRICE \$
SPRING: TO 50 KGS	CS003F 1	2		CS004F 1	2	
NITROCHARGER SPORT	60009	2		60009	2	
NITROCHARGER	*N88 / N92			*N50 / N88		
SPRING: 51 TO 110 KGS	CS004F 1	2		CS005F 1	2	
NITROCHARGER SPORT	60063	2		60063	2	
NITROCHARGER	N88			N50		
SPRING BUSH KIT	OMESB1	2		OMESB1	2	
U BOLTS	OMEU51	4		OMEU51	4	
GREASABLE SHACKLE KITS	OMEGS2	1		OMEGS2	1	
	OMEGP1	1		OMEGP1	1	
STEERING DAMPER	OMESD24	1		OMESD24	1	
ANTI INVERSION KIT	FK08 2	1		FK08 2	1	

REAR <i>Estimated Lift: 75mm</i>	ALL MODELS		
	PART NUMBER	QTY	UNIT PRICE \$
SPRING: RIDE/LIGHT LOAD	CS017RA / B 5	1 + 1	
NITROCHARGER SPORT	60032	2	
	60062 3		
	N94		
NITROCHARGER	N95 3		
SPRING: MEDIUM LOAD	CS004RA / B 5	1 + 1	
NITROCHARGER SPORT	*60064 / 60032 3	2	
	*60065 / 60062		
	*N90 / N85		
NITROCHARGER	*N42 / N89 3		
FITTING KIT	FK0422 4	1	
	FK0411		
SPRING: CONSTANT 200 KGS	CS005RA / B 5	1 + 1	
NITROCHARGER SPORT	60064 3	2	
	60065		
	N90		
NITROCHARGER	N42 3		
FITTING KIT	FK0418 4	1	
SPRING BUSH KIT	OMESB1	2	
U BOLTS	OMEU59B	4	
GREASABLE SHACKLE KITS	OMEGS1	1	
	OMEGP1	1	
ANTI INVERSION KIT	FK08 2	1	

REMARKS:

- 1 Front bump stop measurement must not exceed 100mm to ensure good shackle angle. To reduce bump stop gap, remove the 4th leaf from the top of the spring. OMECW2 Caster Wedge Kit may be required to restore correct caster angle.

- 2 Shackles: FK08 anti inversion kit is mandatory fitment if greasable shackles are not fitted. Refer OME Technical & Fitting Manual.

- 3 Post 1986 vehicles have a 19mm mounting pin and suit shock part no's N94, N90, N85, 60062 & 60065.

Pre 1986 vehicles have a 16mm mounting pin and suit shock part no's N95, N42, N89, 60032 & 60064.

- 4 Fitting Kit is only required on vehicles with rubber insulators around rear springs. Refer OME Technical & Fitting Manual Section 7 GFI: LandCruiser 60 Series page 7 selection chart.

- 5 Barn door models may require A/A or B/B spring fitment. USA LHD models require A/A or B/B spring fitment.

LANDCRUISER 45, 47 SERIES ALL LWB MODELS

FRONT <i>Estimated Lift: 35mm</i>	PETROL & DIESEL ENGINES		
	PART NUMBER	QTY	UNIT PRICE \$
SPRING: TO 50 KGS	CS001F	2	
NITROCHARGER	N81	2	
SPRING: 51 TO 110 KGS	CS002F	2	
NITROCHARGER	*N41 / N81	2	
SPRING BUSH KIT	See Chart Below	2	
U BOLTS - 25mm Eye Spring	OMEU59A	3	
	OMEU59B	1	
U BOLTS - 35mm Eye Spring	OMEU59A	3	
	OMEU55	1	
GREASABLE SHACKLE KITS	See Chart Below		
STEERING DAMPER	OMESD23	1	
ANTI INVERSION KIT	FK08	1	

REMARKS:

- 1** FK08 anti inversion kit is mandatory fitment front and rear if greasable shackles are not fitted
- 2** Remove 3rd leaf from CS003R spring stack to reduce spring rate for light duty application. Include Tray Weight in Constant Load Calculation.

REAR <i>Estimated Lift: 50mm</i>	ALL MODELS		
	PART NUMBER	QTY	UNIT PRICE \$
SPRING: MEDIUM LOAD	CS003R	2	
NITROCHARGER	N42	2	
SPRING: CONSTANT 400 KGS	CS003R	2	
NITROCHARGER	N42	2	
SPRING BUSH KIT	See Chart Below	2	
U BOLTS	OMEU59B	4	
TRIM PACKER	TP02		
GREASABLE SHACKLE KITS	See Chart Below		
ANTI INVERSION KIT	FK08	1	

GREASABLE SHACKLES						
FRONT	KIT PART NO.	QTY.	UNIT PRICE \$	Compatible Bush Kit	QTY.	UNIT PRICE \$
18mm Shackle Pins & 35mm Hanger Bracket	OMEGS2	1		OMESB1	2	
	OMEGP1	1		OMESB1	2	
15mm Shackle Pins & 25mm Hanger Bracket	OMEGS8	1		OMESB30	2	
	OMEGP8	1		OMESB30	2	
REAR						
18mm Shackle Pins & 30mm Hanger Bracket	OMEGS17	1		OMESB79	2	
	*GSP02	2		OMESB79	2	
15mm Shackle Pins & 25mm Hanger Bracket	OMEGS9	1		OMESB30	2	
	OMEGP8	1		OMESB30	2	

* GSP02 is only a greasable pin replacement for Original Pin

LANDCRUISER 40, 42 SERIES SWB

FRONT <i>Estimated Lift: 35mm</i>	PETROL & DIESEL ENGINES		
	PART NUMBER	QTY	UNIT PRICE \$
SPRING: TO 50 KGS	CS001F	2	
NITROCHARGER	N81	2	
SPRING: 51 TO 110 KGS	CS002F	2	
NITROCHARGER	N41	2	
SPRING BUSH KIT	OMESB30	2	
	OMESB1		
U BOLTS - 25mm Eye Spring	OMEU59A	3	
	OMEU59B	1	
U BOLTS - 35mm Eye Spring	OMEU59A	3	
	OMEU55	1	
GREASABLE SHACKLE KITS	See Chart Below		
STEERING DAMPER	OMESD23	1	
ANTI INVERSION KIT	FK08	1	

REAR <i>Estimated Lift: 60mm</i>	ALL MODELS		
	PART NUMBER	QTY	UNIT PRICE \$
SPRING: MEDIUM LOAD	CS001R	2	
NITROCHARGER	*N89 / N95	2	
SPRING: CONSTANT 150 KGS	CS002R	2	
NITROCHARGER	N89	2	
U BOLTS	OMEU59A	4	
SPRING BUSH KIT	OMESB30	2	
	OMESB1		
GREASABLE SHACKLE KITS	See Chart Below		
ANTI INVERSION KIT	FK08	1	

REMARKS:

- 1** OMESB30 suits 35mm spring eye and 25mm hanger bracket with 15mm shackle pin hole.
OMESB1 suits 35mm spring eye and hanger bracket with 18mm shackle pin hole.
- 2** FK08 anti inversion kit is mandatory fitment front and rear if greasable shackles are not fitted.

GREASABLE SHACKLES								
	FRONT	QTY.	UNIT PRICE \$	REAR	QTY.	UNIT PRICE \$	Compatible Bush Kit 1	UNIT PRICE \$
18mm Shackle Pin	OMEGS2	1		OMEGS1	1		OMESB1	
	OMEGP1	1		OMEGP1	1			
15mm Shackle Pin	OMEGS8	1		OMEGS9	1		OMESB30	
	OMEGP8	1		OMEGP8	1			

TACOMA V6 2005 - 2010

FRONT <i>Estimated Lift: 50mm</i>			
	PART NUMBER	QTY	UNIT PRICE \$
SPRING: TO 50 KGS	2885	1	
STRUT	N140S ¹	2	
SPRING: 51 TO 100 KGS	2886	1	
STRUT	N140S ¹	2	

REAR <i>Estimated Lift: 55mm</i>	ALL MODELS		
	PART NUMBER	QTY	UNIT PRICE \$
SPRING: MEDIUM LOAD	CS047R	2	
NITROCHARGER	N182	2	
U BOLT	OMEU53A	4	
SPRING BUSH KIT	USE OE		
DRIVESHAFT SPACER KIT	FK29	1	

REMARKS:

¹ No top mounting bushes supplied, re-use OE bushes.

TACOMA V6 & 4 CYLINDER 1998 - 2004

FRONT <i>Estimated Lift: 45mm</i>			
	PART NUMBER	QTY	UNIT PRICE \$
SPRING: TO 50 KGS	2880	1	
STRUT	N91SC	2	
SPRING: 51 TO 100 KGS	2881	1	
STRUT	N91S	2	

REAR <i>Estimated Lift: 55mm</i>	ALL MODELS		
	PART NUMBER	QTY	UNIT PRICE \$
SPRING: MEDIUM LOAD	CS046RA / B	1 + 1	
NITROCHARGER	N85	2	
SPRING BUSH KIT	OMESB88 ¹	2	
	OMESB89		
GREASABLE SHACKLE KIT	OMEGS12 ¹	1	
EXHAUST BRACKET KIT	FK21 ²	1	

REMARKS:

¹ OMESB88 must be used with OMEGS12 greasable shackles.
OMESB89 must be used with original shackles.

² FK21 exhaust bracket is mandatory fitment to ensure exhaust system clears springs.

HILUX/VIGO 2005 ON ALL MODELS

FRONT <i>Estimated Lift: 30mm</i>	ALL ENGINES		
	PART NUMBER	QTY	UNIT PRICE \$
SPRING: TO 75 KGS	2883 1	1	
STRUT - SPORT	90002	2	
STRUT	*N167S / N166S 2		
SPRING: 76 TO 120 KGS	2884 1	1	
STRUT - SPORT	90002	2	
STRUT	N167S 2		
TRIM PACKER	OME95PF5		

REAR <i>Estimated Lift: 45mm</i>	ALL MODELS		
	PART NUMBER	QTY	UNIT PRICE \$
SPRING: LOW LIFT 20mm	CS043R-15 3	2	
NITROCHARGER SPORT	60006	2	
NITROCHARGER	N168		
SPRING: LIGHT LOAD	CS043R 3	2	
NITROCHARGER SPORT	60006	2	
NITROCHARGER	N168		
SPRING: MEDIUM LOAD	CS044R 3	2	
NITROCHARGER SPORT	60006	2	
NITROCHARGER	*N169 / N168		
SPRING: CONSTANT 400 KGS	CS045R 3	2	
NITROCHARGER SPORT	60007	2	
NITROCHARGER	N169		
SPRING BUSH KIT	OMESB98	2	
U BOLTS	OMEU53A	4	
GREASABLE SHACKLE KIT	OME95PF5	1	

REMARKS:

- 1 To maintain coil clearance from the Sway Bar, the coil seat must be installed with the helix facing away from the Sway Bar.
- 2 No top mounting bushes supplied, re-use OE bushes.
- 3 Include Tray Weight in Constant Load Calculation.

HILUX/TIGER 1997 - 2004 ALL MODELS

FRONT	PETROL & DIESEL ENGINES		
	PART NUMBER	QTY	UNIT PRICE \$
TORSION BARS: OVER 50 KGS	303003 1	1	
NITROCHARGER SPORT	60042	2	
NITROCHARGER	*N87 / N80		
STEERING DAMPER	OMESD33	1	

REAR <i>Estimated Lift: 50mm</i>	ALL MODELS		
	PART NUMBER	QTY	UNIT PRICE \$
SPRING: MEDIUM LOAD	CS018R 5	2	
NITROCHARGER SPORT	60043 + 60044	1 + 1	
NITROCHARGER	N68 + N68E 2		
SPRING: CONSTANT 120 KGS	CS019R 5	2	
NITROCHARGER SPORT	60043 + 60044	1 + 1	
NITROCHARGER	*N75 + N75E 2		
	N68 + N68E		
SPRING: CONSTANT 250 KGS	CS020R 5	2	
NITROCHARGER SPORT	60043 + 60044	1 + 1	
NITROCHARGER	N75 + N75E 2		
SPRING: CONSTANT 400 KGS	CS021R 5	2	
NITROCHARGER SPORT	60043 + 60044	1 + 1	
NITROCHARGER	N75 + N75E 2		
SPRING BUSH KIT	OMESB43	2	
GREASABLE SHACKLE KIT	OMEGS7 3	1	
ANTI INVERSION KIT	FK15	1	
FITTING KIT	FK01 4	1	

REMARKS:

- 1 Raise or lower front end clearance and trim vehicle by adjusting front torsion bars.
- 2 60043, N75E and N68E are longer in length and must be fitted to right hand side only. Fitment to left hand side may cause damage to shock absorber and vehicle.
- 3 Mandatory Fitment: Either OMEGS7 or FK15 anti inversion kit required to prevent possible spring inversion.
- 4 Fitment of FK01 spacer washers to U Bolts is required to ensure correct tension is obtained on U bolts.
- 5 Include Tray Weight in Constant Load Calculation.

HILUX & 4 RUNNER PRE 1997 ALL LEAF SPRING MODELS

FRONT <i>Estimated Lift: 45mm</i>	PETROL ENGINES			DIESEL ENGINES		
	PART NUMBER	QTY	UNIT PRICE \$	PART NUMBER	QTY	UNIT PRICE \$
SPRING: TO 50 KGS	CS008FA / B ¹	1 + 1		CS009FA / B ¹	1 + 1	
NITROCHARGER SPORT	60061	2		60061	2	
NITROCHARGER	N84			*N93 / N84		
SPRING: 51 TO 110 KGS	CS009FA / B ¹	1 + 1		CS009FA / B ¹	1 + 1	
NITROCHARGER SPORT	60061	2		60061	2	
NITROCHARGER	*N93 / N84			N93		
SPRING BUSH KIT	OMESB5	2		OMESB5	2	
U BOLT	OMEU52 ³	1		OMEU52 ³	1	
FITTING KIT	FK03 ²	1		FK10 ²	2	
GREASABLE SHACKLE KITS	OMEGS4	1		OMEGS4	1	
	OMEGP3	1		OMEGP3	1	
STEERING DAMPER	OMESD21	1		OMESD21	1	

REAR <i>Estimated Lift: 50mm</i>	ALL MODELS		
	PART NUMBER	QTY	UNIT PRICE \$
SPRING: MEDIUM LOAD	CS009R ⁷	2	
NITROCHARGER SPORT	* 60064 / 60032 ⁵	2	
	* 60065 / 60062 ⁵		
NITROCHARGER	*N85 / N94 ⁵		
	*N89 / N95 ⁵		
SPRING: CONSTANT 250 KGS	CS010R ⁷	2	
NITROCHARGER SPORT	60064 ⁵	2	
	60065 ⁵		
NITROCHARGER	N85 ⁵		
	N89 ⁵		
U BOLTS	OMEU53	4	
SPRING BUSH KIT	OMESB6	2	
GREASABLE SHACKLE KITS	OMEGS3	1	
	OMEGP3	1	
TRIM PACKER	TP04 ⁴		
ANTI INVERSION KIT	FK09 ⁶	1	
	FK13		

REMARKS:

- 1** A/A spring fitment may be needed on some vehicles for trimming purposes.
- 2** Petrol HiLux may require an FK03 (saddle correction plates) if the spring seats are distorted.
FK10 must be fitted to all Diesel & Petrol models used off road. Refer OME Technical & Fitting Manual.
- 3** OMEU52 is required when fitting OME springs to stop the U bolt contacting the drag link.
Refer OME Technical & Fitting Manual.
- 4** A trim packer may be required to trim vehicle. Only to be used on rear springs.
- 5** Post 1984 vehicles have a 19mm mounting pin and suit shock part numbers: N85, N94, 60062 and 60065.
Pre 1984 vehicles have a 16mm mounting pin and suit shock part numbers: N89, N95, 60032 and 60064.
- 6** If greasable shackles are not fitted anti inversion kits must be fitted.
FK09 fits all pre 1984 models.
FK13 fits all 1985 models on.
- 7** Include Tray Weight in Constant Load Calculation. To provide correct shackle angle, 1985 - 89 automatic 4 Runner models require the 3rd leaf to be removed to reduce spring rate.

HILUX PRE 1997 EXTRA CAB & DUAL CAB SR5 IFS & REAR LEAF MODELS

FRONT	PETROL & DIESEL ENGINES		
	PART NUMBER	QTY	UNIT PRICE \$
TORSION BARS: 50 KGS	303003 1	1	
NITROCHARGER SPORT	60072	2	
NITROCHARGER	N98		
STEERING DAMPER	OMESD33	1	

REAR <i>Estimated Lift: 50mm</i>	ALL MODELS		
	PART NUMBER	QTY	UNIT PRICE \$
SPRING: MEDIUM LOAD	CS019R 3	2	
NITROCHARGER SPORT	60065	2	
NITROCHARGER	*N85 / N94		
SPRING: CONSTANT 200 KGS	CS020R 3	2	
NITROCHARGER SPORT	60065	2	
NITROCHARGER	*N85 / N94		
SPRING BUSH KIT	OMESB43	2	
U BOLTS	OMEU53B 2	4	

REMARKS:

- 1 Raise or lower front end clearance and trim vehicle by adjusting front torsion bars.
- 2 Compare original spring stack height to OME spring stack to decide whether OMEU53 or OMEU53B U bolts are required.
- 3 Include Tray Weight in Constant Load Calculation.

4 RUNNER 2010 ON (USA MODEL)

FRONT <i>Estimated Lift: 50mm</i>	V6 4.0L PETROL ENGINE		
	PART NUMBER	QTY	UNIT PRICE \$
SPRING: NO BAR	2883 1	1	
STRUT - SPORT	90010 2	2	
SPRING: BAR ONLY	2884 1	1	
STRUT - SPORT	90010 2	2	
SPRING: BAR AND WINCH	2885 1	1	
STRUT - SPORT	90010 2	2	
TRIM PACKER	OME95PF5		

REAR <i>Estimated Lift: 50mm</i>	LWB MODELS		
	PART NUMBER	QTY	UNIT PRICE \$
SPRING: MEDIUM LOAD	2895	1	
NITROCHARGER SPORT	60080 3	2	
SPRING: CONSTANT 200 KGS	2896	1	
NITROCHARGER SPORT	*60081 / 60080 3	2	
SPRING: CONSTANT 400 KGS	2897	1	
NITROCHARGER SPORT	60081 3	2	
TRIM PACKER	OME150PR10		
STONE GUARD KIT	OME661	1	

REMARKS:

- 1 Vehicles with KDSS, must have 1 x OME95PF5 packer installed on the front right hand side to maintain correct trim.
- 2 No top mounting bushes supplied, re-use OE bushes.
- 3 OME661 lower shock mount stone guard is recommended fitment to rear shocks to protect against severe stone pepping encountered on loose road surfaces.

4 RUNNER 2003 TO 2010 (USA MODEL)

FRONT <i>Estimated Lift: 25-50mm</i>			
	PART NUMBER	QTY	UNIT PRICE \$
SPRING: NO BAR	2884	1	1
STRUT - SPORT	90000	2	
STRUT	N140S		
SPRING: TO 75 KGS	2885	1	1
STRUT - SPORT	90000	2	
STRUT	N140S		
TRIM PACKER	OME95PF5		

REAR <i>Estimated Lift: 50mm</i>			
	PART NUMBER	QTY	UNIT PRICE \$
SPRING: MEDIUM LOAD	2895	1	
NITROCHARGER SPORT	60004	2	
NITROCHARGER	N141		
SPRING: CONSTANT 150 KGS	2896	1	
NITROCHARGER SPORT	*60005 / 60004	2	
NITROCHARGER	N142		
SPRING: CONSTANT 300 KGS	2897	1	
NITROCHARGER SPORT	60005	2	
NITROCHARGER	N142		
STONE GUARD KIT	OME661	1	

REMARKS:

- 1** OME front coils can only be installed with OME Nitrocharger strut and coil seats.
- 2** No top mounting bushes supplied, re-use OE bushes.

4 RUNNER 1996 - 2002 (USA MODEL)

FRONT <i>Estimated Lift: 30mm</i>	PETROL & DIESEL ENGINES		
	PART NUMBER	QTY	UNIT PRICE \$
SPRING: TO 50KGS	2880	1	
SPRING: 51 TO 100KGS	2881	1	
NITROCHARGER SPORT	90004	2	
NITROCHARGER	N91S		

REAR <i>Estimated Lift: 50mm</i>	ALL MODELS		
	PART NUMBER	QTY	UNIT PRICE \$
SPRING: MEDIUM LOAD	2906	1	
SPRING: CONSTANT 250KGS	2890	1	
NITROCHARGER SPORT	60027	2	
NITROCHARGER	N86		

4 RUNNER 1990 - 1996 (TO 1995 IN USA)

IFS REAR COIL SPRING MODELS

FRONT	PETROL & DIESEL ENGINES		
	PART NUMBER	QTY	UNIT PRICE \$
TORSION BARS: OVER 50 KGS	303003 ¹	1	
NITROCHARGER SPORT	60072	2	
NITROCHARGER	N98		
STEERING DAMPER	OMESD33	1	

REAR <i>Estimated Lift: 40mm</i>	ALL MODELS		
	PART NUMBER	QTY	UNIT PRICE \$
SPRING: MEDIUM LOAD	2900	1	
NITROCHARGER SPORT	60073	2	
NITROCHARGER	N72F		
SPRING: CONSTANT 150 KGS	2901	1	
NITROCHARGER SPORT	60073	2	
NITROCHARGER	N72F		

REMARKS:

- 1 Raise or lower front end clearance and trim vehicle by adjusting front torsion bars.

4 RUNNER 1986 - 1990 (TO 1989 IN USA)

IFS REAR LEAF SPRING MODELS

FRONT	PETROL & DIESEL ENGINES		
	PART NUMBER	QTY	UNIT PRICE \$
TORSION BARS: OVER 50 KGS	303003 ¹	1	
NITROCHARGER SPORT	60072	2	
NITROCHARGER	N98		
STEERING DAMPER	OMESD33	1	

REAR <i>Estimated Lift: 50mm</i>	ALL MODELS		
	PART NUMBER	QTY	UNIT PRICE \$
SPRING: MEDIUM LOAD	CS009R ³	2	
NITROCHARGER SPORT	60065	2	
NITROCHARGER	*N85 / N94		
SPRING: CONSTANT 200 KGS	CS010R ³	2	
NITROCHARGER SPORT	60065		
NITROCHARGER	N85	2	
SPRING BUSH KIT	OMESB6	2	
U BOLTS	OMEU53B ²	4	
GREASABLE SHACKLE KITS	OMEGS3	1	
	OMEGP3	1	

REMARKS:

- 1 Raise or lower front end clearance and trim vehicle by adjusting front torsion bars.
- 2 Compare original spring stack height to OME spring stack to decide whether OMEU53 or OMEU53B U bolts are required.
- 3 Install OE caster wedges from OE spring stack onto OME springs. Ensure wedges are fitted as per original position.

AMAROK 2010 ON ALL MODELS

FRONT <i>Estimated Lift: 20mm</i>	DIESEL ENGINE		
	PART NUMBER	QTY	UNIT PRICE \$
SPRING: NO BAR	2640	1	
STRUT - SPORT	90012 1	2	
SPRING: BAR	2640	1	
STRUT - SPORT	90013 1	2	
SPRING: BAR & WINCH	2641	1	
STRUT - SPORT	90013 1	2	
TRIM PACKER	OME95PF5 2		

REAR <i>Estimated Lift: 20mm</i>	DIESEL ENGINE		
	PART NUMBER	QTY	UNIT PRICE \$
SPRING: MEDIUM LOAD	CS064R 3	2	
NITROCHARGER SPORT	60082	2	
SPRING: CONSTANT 400 KGS	CS065R 3	2	
NITROCHARGER SPORT	60083	2	
STONE GUARD KIT	OME665 4	1	
U BOLTS - MEDIUM SPRING	OMEU59A	4	
U BOLTS - CONSTANT 400KGS SPRING	OMEU59B	4	
EXTRA LEAF	D38XL 5	2	

REMARKS:

- 1** Top mount bump stop & bushes not supplied, re-use OE items.
- 2** For trimming purposes only, maximum 1 packer per strut.
- 3** Re-use OE bushes. Workshop fitting kit FK33 recommended for easier bush install (note: one FK33 kit required per workshop).
- 4** OME665 lower shock mount stone guard is mandatory fitment to rear shocks to protect against severe stone pepping encountered on loose road surfaces.
- 5** D38XL will give approximately 12mm extra lift or increase loading capacity at design height by approximately 160KGS.

Fitting Time: Due to the complexity of installation allow 5 hours for complete install.

ADDING AN EXTRA LEAF

Part No.	Required Centre Bolt	To Suit Dakar Spring No.
D1XL	UCB3	CS003F & CS004F
D2XL	UCB2	CS004RA/B & CS005RA/B
D3XL	UCB8	CS001F & CS002F
D4XL	UCB8	CS001R & CS002R
D5XL	UCB6	CS009R & CS010R
D6XL	UCB6	CS019R & CS020R & CS021R
D7XL	UCB5	CS040R
D8XL	UCB4	CS003R
D9XL	UCB17	CS026R & CS027R
D10XL	UCB5	CS042R
D11XL	UCB5	CS010FA/B
D12XL	UCB1	CS011R & CS012R
D13XL	UCB6	CS043R & CS044R
D14XL	UCB17	CS013R & CS014R
D15XL	UCB1	CS016RA/B
D16XL	UCB5	CS006F
D17XL	UCB7	CS008FA/B & CS009FA/B
D18XL	UCB14	CS030R & CS031R & *CS032R
D19XL	UCB16	CS028R & CS029R
D20XL	UCB7	CS012FA/B
D21XL	UCB7	CS038R
D22XL	UCB8	CS034RA/B & CS035RA/B
D23XL	UCB9	CS014F
D24XL	UCB9	CS036R
D25XL	UCB4	CS006R & CS007R
D26XL	UCB15	CS062R & CS063R
D27XL	UCB19	CS048R
D28XL	-	CS055R
D29XL	UCB17	CS047R
D30XL	UCB17	CS016F
D31XL	UCB19	CS150R
D32XL	UCB10	CS053R
D34XL	-	CS049R & CS056R
D35XL	-	CS057R
D36XL	-	CS059R
D38XL	-	CS064R & CS065R

* FK01 U Bolt Thread Spacer Kit required on all Cab Chassis models

REMOVING A LEAF:

In general terms, to reduce a springs rate remove the third leaf from the top of the spring.
 Except if the third leaf is fitted with a spring clip, in this case remove the fourth leaf.

SPECIFICATIONS

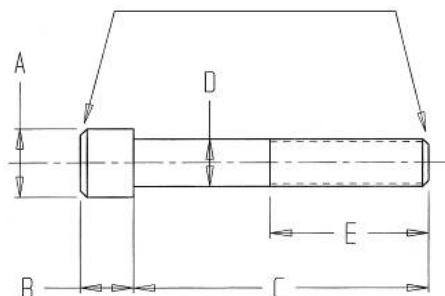
REPLACEMENT MAIN & SECOND LEAF

DAKAR PART NUMBER	OME SPRING PART NUMBER	MAIN LEAF PART NUMBER	SECOND LEAF PART NUMBER
FRONT SPRINGS			
CS001F, CS002F	40 SERIES - OME13, OME131	SL1F/1	SL1F/2
CS003F, CS004F, CS005F	60 SERIES - OME110, OME11, OME111	SL3F/1	SL3F/2
CS006F, CS007F	75 SERIES - OME67, OME671	SL6F/1	SL6F/2
CS008FA	HILUX - OME99A	SL8FA/1	SL8FA/2
CS008FB	HILUX - OME99B	SL8FB/1	SL8FB/2
CS009FA	HILUX - OME91A	SL9FA/1	SL9FA/2
CS009FB	HILUX - OME91B	SL9FB/1	SL9FB/2
CS010FA, CS011FA	PATROL M60 - OME3A, OME31A	SL10FA/1	SL10FA/2
CS010FB, CS011FB	PATROL M60 - OME3B, OME31B	SL10FB/1	SL10FB/2
CS012FA, CS013FA	SUZUKI SIERRA - OMES1A	SL12FA/1	SL12FA/2
CS012FB, CS013FB	SUZUKI SIERRA - OMES1B	SL12FB/1	SL12FB/2
CS014F	JEEP YJ - OMEJ1F	SL14F/1	SL14F/2
REAR SPRINGS			
CS001R, CS002R	40 SERIES - OME14, OME141	SL1R/1	SL1R/2
CS003R	45 SERIES - OME201	SL3R/1	SL3R/2
CS004RA, CS005RA	60 SERIES - OME113A, OME1131A	SL4RA/1	SL4RA/2
CS004RB, CS005RB	60 SERIES - OME113B, OME1131B	SL4RB/1	SL4RB/2
CS006R, CS007R, CS008R	75 SERIES - OME39, OME391, OME3911, OME39111	SL6R/1	SL6R/2
CS009R, CS010R	HILUX - OME17, OME171, OME1711	SL9R/1	SL9R/2
CS011R, CS012R	PATROL M60 - OME4, OME41	SL11R/1	SL11R/2
CS013R, CS014R, CS015R	78/79 SERIES - OME49, OME491, OME492, OME493	SL13R/1	SL13R/2
CS016RA	PATROL Y60, Y61 CAB CHASSIS - OME61A, OME611A	SL16RA/1	SL16RA/2
CS016RB	PATROL Y60, Y61 CAB CHASSIS - OME61B, OME611B	SL16RB/1	SL16RB/2
CS017RA	HJ60 - OME221A	SL17RA/1	SL17RA/2
CS017RB	HJ60 - OME221B	SL17RB/1	SL17RB/2
CS018R, CS019R, CS020R, CS021R	HILUX - OME180, OME18, OME181, OME1811	SL18R/1	SL18R/2
CS022R, CS023R	TRITON / PAJERO - OME22, OME222	SL22R/1	SL22R/2
CS024R, CS025R	ISUZU / RODEO 2003 - OMEROD4, OMEROD5	SL24R/1	SL24R/2
CS026R, CS027R	MAZDA / FORD UTE - OME26, OME261	SL26R/1	SL26R/2
CS028R, CS029R	ISUZU / RODEO - OMEROD1, OMEROD11, OMEROD111	SL28R/1	SL28R/2
CS030R, CS031R, CS032R	NAVARA D21, D22 - OMENN1, OMENN11, OMENN2	SL30R/1	SL30R/2
CS033RA	JEEP XJ - 75mm	SL33RA/1	SL33RA/2
CS033RB	JEEP XJ - 75mm	SL33RB/1	SL33RB/2
CS034RA, CS035RA	JEEP XJ - OMEJC1A, OMEJC2A	SL34RA/1	SL34RA/2
CS034RB, CS035RB	JEEP XJ - OMEJC1B, OMEJC2B	SL34RB/1	SL34RB/2
CS036R, CS037R	JEEP YJ - OMEJ1R, OMEJ2R	SL36R/1	SL36R/2
CS038R, CS039R	SUZUKI SIERRA - OMES2, OMES21	SL38R/1	SL38R/2
CS040R, CS041R	MINI CHALLENGER - OME19, OME191	SL40R/1	SL40R/2
CS042R	FORD EXPLORER - OME36	SL42R/1	SL42R/2
CS043R, CS044R, CS045R	HILUX 2005ON	SL43R/1	SL43R/2

SPECIFICATIONS

REPLACEMENT CENTRE BOLTS

Centre Bolt Part No.	Dimension Details						Spring Part No.
	Head Diameter A	Head Depth B	Shank Length C	Shank Diameter D	Thread Length E	Thread	
UCB 1	17	10	90	9.5	50	3/8 UNF	CS011R, 12R
UCB 2	15	15	90	9.5	50	3/8 UNF	CS017R
UCB 3	14	11	70	9.5	50	3/8 UNF	CS003F, 04F, 05F
UCB 4	14	8	110	9.5	50	3/8 UNF	CS03R, 04R, 05R, 06R, 07R
UCB 5	14	8	70	9.5	50	3/8 UNF	CS006,07F,10F,11F,22R,23R,40R,41R,42R,53R,54R
UCB 6	14	8	80	7.9	50	5/16 UNF	CS009R, 10R, 18R, 19R, 20R, 21R
UCB 7	14	5	55	7.9	35	5/16 UNF	CS008F, 09F, 12F, 13F, 38R, 39R
UCB 8	12	9	75	7.9	50	5/16 UNF	CS001F, 02F, 01R, 02R, 33R, 34R, 35R
UCB 9	13	10	55	7.9	40	5/16 UNF	CS014F, 36R, 37R
UCB 10	14	8	120	9.5	40	3/8 UNF	CS008R, 48R
UCB 11	17	10	115	9.5	40	3/8 UNF	CS016R
UCB 12	11	8	70	7.9	40	5/16 UNF	CS028R
UCB 13	14	6	70	9.5	40	3/8 UNF	CS030R, 31R, 32R
UCB 14	14	6	80	9.5	40	3/8 UNF	CS043R, 43R-15, 44R, 45R, 46R
UCB 15	11.5	9	72	7.9	30	5/16 UNF	CS024R, 25R
UCB 16	11	8	80	7.9	40	5/16 UNF	CS029R
UCB 17	14	8	90	9.5	50	3/8 UNF	CS013R,14R,15R,26R,27R,47R,57R,58R, 64R, 65R
UCB 18	16	8	50	10	30	M10	CS015F
UCB 19	14	8	95	10	45	M10	CS018R, 49R, 50R, 51R, 56R
UCB 20	16	8	62	10	45	M10	CS018F



DAKAR SPRING SERVICE PARTS

SPRING EYE SLEEVES			
PART NUMBER	ID (MM)	OD (MM)	LENGTH (MM)
CBH154028	15	40	28
CBH27532569	27.5	32.5	69
CBH303549	30	35	49
CBH303559	30	35	59
CBH31536559	31.5	36.5	59
CBH31536569	31.5	36.5	69
CBH32737759	32.7	37.7	59
CBH354069	35	40	69
CBH37542559	37.5	42.5	59
CBH39544559	39.5	44.5	59
CBH404549	40	45	49
CBH404559	40	45	59
CBH404569	40	45	69

SPRING CLIPS			
PART NUMBER	LEAF WIDTH (MM)	CLIP WIDTH (MM)	CLIP LENGTH (MM)
2512074	70	25	120
2516474	70	25	164

BONDED RUBBER BUSHES			
PART NUMBER	ID (MM)	OD (MM)	LENGTH (MM)
CBH14405970	14	40	59/70
CBH14406073	14	40	60/73
CBH145357889	14.5	35	78/89
CBH148517689	14.8	51	76/89
CBH16455689	16	45	56/89
CBH185396489	18.5	39	64/89
CBH18544489	18	54	44/89

LEAF LINER KITS	
PART NUMBER	DESCRIPTION
IL01YE (Round)	Inter Leaf Liners x 6 Pieces
SLK60 (60mm Wide)	Noise - Service Liners x 4 Pieces
SLK70 (70mm Wide)	Noise - Service Liners x 4 Pieces

RIVETS		
PART NUMBER	SIZE	LENGTH (MM)
3822	3/8	22
3824	3/8	24

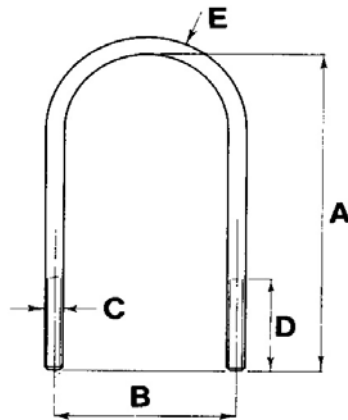
SPECIFICATIONS

U BOLTS

OE spring stack height must be compared to OME spring before final

U Bolt selection as OE spring stack heights may vary from model to model.

PART NO.	A LEG LENGTH mm	B LEG CENTRE mm	C THREAD DIA mm	D THREAD LENGTH mm	THREAD PITCH	E TOP TYPE	REC. TORQUE Lbs.ft.	REC. TORQUE Nm
OMEU51	210	85	14	70	1.5	SQUARE	93	126
OMEU52	200	76	14	75	1.5	FLAT	93	126
OMEU53	168	75	14	70	1.5	SQUARE	93	126
OMEU53A	185	75	14	65	1.5	SQUARE	93	126
OMEU53B	200	75	14	70	1.5	SQUARE	93	126
OMEU54	175	85	12	70	1.25	ROUND	58	79
OMEU55	218	97	14	70	1.5	SQUARE	93	126
OMEU56	100	75	12	50	1.25	SQUARE	58	79
OMEU57	190	88	12	70	1.25	ROUND	58	79
OMEU58	210	110	14	75	1.5	ROUND	93	126
OMEU58B	242	110	14	75	1.5	ROUND	93	126
OMEU59A	197	97	14	75	1.5	ROUND	93	126
OMEU59B	225	97	14	75	1.5	ROUND	93	126
OMEU59C	240	97	14	75	1.5	ROUND	93	126
OMEU59D	197	97	14	90	1.5	ROUND	93	126
OMEU60	150	81	11	70	1.27	ROUND	45	61
OMEU61	147	87	10	60	1.25	ROUND	34	45
OMEU61B	160	87	10	70	1.25	ROUND	34	45
OMEU62	145	73	10	70	1.25	ROUND	34	45
OMEU63	190	74	12	50	1.25	SQUARE	58	79
OMEU64	260	125	14	90	1.5	ROUND	93	126
OMEU65	215	97	14	75	1.5	ROUND	93	126
OMEU66	190	103	14	60	1.5	ROUND	93	126
OMEU66A	210	103	14	60	1.5	ROUND	93	126
OMEU67	350	107	16	75	2.0	ROUND	145	197
OMEU68	275	107	16	75	2.0	ROUND	145	197
OMEU69	235	95	14	65	2.0	ROUND	93	126
OMEU69A	260	95	14	65	2.0	ROUND	93	126
OMEU70	205	95	14	55	2.0	SQUARE	93	126
OMEU70A	230	95	14	55	2.0	SQUARE	93	126
OMEU71	150	82	12	60	1.5	SQUARE	58	79
OMEU72	200	97	14	90	1.5	ROUND	93	126



SPECIFICATIONS

SUSPENSION FITTING KITS

Part No.	Contains	Vehicle	Position	Refer to:
FK01	16 Flat Washers	60 Series	Front	Manual Sec. 4 GFI - Front suspension installation
FK03	2 Saddle Correction Plates	HiLux Petrol	Front	Manual Sec. 4 GFI - Front suspension installation
FK0411	4 x Retainer Spacers 11mm	60 Series	Rear	Manual Sec. 4 GFI
FK0418	4 x Retainer Spacers 18mm	60 Series	Rear	Manual Sec. 4 GFI
FK0422	4 x Retainer Spacers 22mm	60 Series	Rear	Manual Sec. 4 GFI - Rear suspension installation
FK0429	4 x Retainer Spacers 29mm	60 Series	Rear	Manual Sec. 4 GFI - Rear suspension installation
FK047	4 x Retainer Spacers 7mm	60 Series	Rear	Manual Sec. 4 GFI - Rear suspension installation
FK06	2 x Stabiliser Bar Packers 3mm	Suzuki	Front	Manual Sec. 4 GFI - Front suspension installation
FK08	2 x Anti-Inversion Plates	60,75 Series All 40 & 70 Series GQ, Maverick ute & c/c	Front & Rear	Manual Sec. 8 Technical - Shackle Modification
FK09	2 x Anti-Inversion Plates	All HiLux	Rear	Manual Sec. 8 Technical - Shackle Modification
FK10	2 x Short Gussett Plates 2 x Long Gussett Plates	HiLux All models	Front	Manual Sec. 8 Technical - HiLux Front Springs
FK13	2 x Anti-Inversion Side Plates	All HiLux	Rear	Manual Sec. 4 GFI
FK14	2 x Anti-Inversion Plates	Isuzu 1 Tonne P/Up	Rear	Fitting instructions supplied with kit
FK15	2 x Anti-Inversion Side Plates	1997on HiLux	Rear	Fitting instructions supplied with kit
FK16	2 x 20mm Bump Stop Spacers	Wrangler TJ	Rear	Fitting instructions supplied with kit
FK18	2 x Brackets 3 x Bolts 3 x Washers 3 x Nuts	GU Patrol	Rear Sway Bar	Fitting instructions supplied with kit
FK19	4 x Spacer Plates 4 x 35mm Bolts 4 x Spring Washers	LandCruiser 78 & 79 Models	Front Sway Bar	Fitting instructions supplied with kit
FK20	6 x Spacer Plates 8 x Bolts M8 X 1.25 X 35mm 8 x Flat Washers	Land Rover Discovery 199 on Models	Front Cross Member	Fitting instructions supplied with kit
FK21	1 x Bracket 2 x Bolts M8 2 x Flat Washers 2 x Hex Nuts	Toyota Tacoma	Rear Exhaust Bracket	
FK22	2 x Shock Tower Support 2 x Captive Nuts 4 x M10 x 1.5 x 30mm Bolt 4 x Washers Flat 4 x Washers Spring	Mazda/Ford 1 tonne Pickup	Front	Fitting instructions
FK23	1 x Strut Adaptor	Toyota / RAV 4 1998 to 2000	Front	Fitting instructions
FK24	2 x Brackets 6 x Bolts 11 X Washers Flat 6 x Nuts Nyloc	Nissan Y61 with Stabiliser Bar Release	Rear Sway Bar	Fitting instructions
FK25	2 x Spacer Blocks 4 x Bolts 4 x Washers Flat 4 x Washers Spring	Nissan Y61 Oil Pan Kit	Front	Fitting instructions
FK26	2 x Side Plates	Isuzu / Rodeo 2003 on	Rear	Fitting instructions supplied with kit
FK27	2 x Support Brackets	LandCruiser 100 Series IFS	Torsion Bar Locating Bracket	Fitting instructions supplied with kit
FK28	2 x Spacers 2 x Studs	Suzuki XL7	Front	Fitting instructions supplied with kit

SPECIFICATIONS

SUSPENSION FITTING KITS

Part No.	Contains	Vehicle	Position	Refer to:
FK29	2 x Spacers 2 x Bolts M10 X 1.25 X 35MM 2 x Washers Flat M10 X 25mm 2 x Washers Spring M10 X 1/8	Toyota Tacoma 2005 on	Rear Drive Shaft	Fitting Instructions
FK30	2 x Anti-Inversion Bkts	Mitsubishi	Rear	Fitting Instructions
FK31	1 x Bracket 6 x Bolts 4 x Nuts x M10 2 x Nuts x M10 Caged 3.3 6 x Washer Spring 10 x Washer Flat	Ford F250 & F350 1999 to 2004 Dual Cab Models	Rear	Fitting instructions
FK32	1 X 3199908 Bracket 1 x 3199909 Kit 2 x Bolt M8 x 1.25 x 20 2 x Hex Nyloc Nut 4 x Washers Flat	Tundra 2007on	Front	Fitting instructions
FK33	Spring Bush Installation Tool	VK Amarok	Front	Fitting Instructions
FK34	2 x Brackets	LandCruiser 78 Series	Rear Sway Bar Mounts	Fitting Instructions
FK35	1 x Spacer 2 x Bolts 2 x Nuts 2 x Washers	Ford F250 & F350 1999 to 2004 Xtra Cab	Rear	Fitting Instructions
FK36	4 x Brackets 8 x Bolts M8 x 1.25 x 20 8 x Nuts M8 x 1.25 16 x Washers	Ford F350 2005 on	Front	Fitting instructions supplied with kit
FK37	1 x Bracket 2 x Bump Stop Spacers 1 x Extension Plate 4 x Packers 2 x Bolt M14 x 1.5 2 x Nut M14 x 1.5 8 x Washers 2 x Bolt M12 x 1.25 2 x Nuts M12 x 1.25 4 x Bolt M8 x 1.25 x 20 4 x Nuts Flanged M8 x 1.25	Jeep JK - LHD	Rear	Fitting instructions supplied with kit
FK38	2 x Anti-Inversion Plates	LandCruiser 76 Series	Rear	Fitting instructions supplied with kit
FK39	1 x Bracket 2 x Bump Stop Spacers 1 x Extension Plate 4 x Packers 2 x Bolt M14 x 1.5 2 x Nut M14 x 1.5 8 x Washers 2 x Bolt M12 x 1.25 2 x Nuts M12 x 1.25 4 x Bolt M8 x 1.25 x 20 4 x Nuts Flanged M8 x 1.25	Jeep JK - RHD	Rear	Fitting instructions supplied with kit

SPECIFICATIONS

SUSPENSION FITTING KITS

Part No.	Contains	Vehicle	Position	Refer to:
FK40	4 x Bump Stop Spacers 2 x Bolt M10 x 1.5 x 75 4 x Bolt M8 x 1.25 x 70 4 x Washers 2 x Nut Flanged 2 x Nut Nyloc	Wrangler JK	Front & Rear	Fitting instructions supplied with kit
FK42	2 X Sway Bar Packers 4 x Bolt M10 x 1.25 x 35 4 x Flat Washers 4 x Spring Washers	Xterra 2005 on	Rear	Fitting instructions supplied with kit
FKWTJ01	1 x 45mm Panhard Rod Extended	Wrangler	Rear	Fitting instructions supplied with kit
FKWTJ02	Mounting Bracket 2 x Spacer Washers 3 x Bolts M12 X 1.25 X 30MM 6 x Flat Washers 3 x Spring Washers 3 x Nuts M12 x 1.25	TJ		
GQGK01	4 x Spacer Plates 8 x Hex. Bolts 8 x Flat Washers 8 x Spring Washers	GO Patrol Maverick	Gearbox Cross Member	Manual Sec. 4 GFI Patrol gearbox spacer kit
GQGK02	4 x Spacer Plates 9 x Spacer 12mm 8 x Bolts M12 X 1.25 X 70MM 17 x Washers Spring 17 x Washers Flat 6 x Bolts M8 X 1.25 X 40MM 3 x Bolts M8 X 1.25 X 35MM	Nissan Y61 Patrol SWB	Gearbox	Fitting instructions
JWVGK01	6 x Spacer Plates 6 x Bolt Spacers 6 x 2" Bolts	Jeep Wrangler to 2002	Gearbox	Fitting instructions supplied with kit
JWVGK02	6 x Spacer Plates 6 x Bolts 17 x Washers Flat 17 x Washers Spring	Jeep TJ 2003 Manual Models	Gearbox	Fitting instructions
JWVGK03	8 x Spacer Plates 8 x Bolts 8 x Washers Flat 8 x Washers Spring	Jeep TJ 2003 Auto Models	Gearbox	Fitting instructions

SPECIFICATIONS

LEAF SPRING TRIM PACKERS (Mild Steel 5mm Thick)

PART No.	WIDTH	LENGTH	HOLE DIA.	APPLICATIONS
TP01	70mm	140mm	10.3mm	TOYOTA 60, 75, NISSAN GQ / FORD MAVERICK CAB CHASSIS & NISSAN GQ UTE
TP02	70mm	140mm	8.7mm	TOYOTA 40, 42, 45, 47
TP03	60mm	140mm	10.3mm	NISSAN MQ, MITSUBISHI PAJERO, TRITON, L200
TP04	60mm	140mm	8.7mm	TOYOTA HILUX
TP05	50mm	120mm	8.7mm	SUZUKI SIERRA, HOLDEN DROVER

To be used to correct left to right trim problems. Maximum 2 plates (10mm). Order centre bolt separately.
Refer Manual for Instructions.

CLIP LINER KITS FOR LEAF SPRINGS

Kit Part No.	Contents: Clip Liner Size & Quantity	To Suit OME	To Suit Dakar
CLK11	20mm X 4	OME110, 11, 111, J1F	CS003F, 4F, 5F
CLK113A	30mm X 4, 90mm X 2	OME113A, 1131A	CS004RA, 5RA
CLK113B	30mm X 4, 80mm X 2	OME113B, 1131B	CS004RB, 5RB
CLK13	40mm X 4	OME13, 131	CS001F, 2F
CLK14	30mm X 4, 60mm X 2	OME14, 141	CS001R, 2R
CLK17	35mm X 4, 70mm X 2	OME17, 171	CS009R, 10R, 28R, 29R, 53R, 54R
CLK18	30mm X 4, 90mm X 2	OME18, 181, 1811	CS018R, 19R, 20R
CLK201	40mm X 4, 80mm X 2	OME201	CS003R
CLK22	35mm X 4, 40mm X 2	OME22, 222	CS022R, 23R
CLK221	20mm X 4, 40mm X 2	OME221A/B	CS017RA/B
CLK3	30mm X 4	OME3A/B, 31A/B, JC1A/B	CS010FA/B, 11FA/B, 34RA/B
CLK39	50mm X 4, 80mm X 2	OME39, 391, 3911, 39111	CS006R, 7R, 8R
CLK4	40mm X 4	OME4, 41	CS011R, 12R, 49R, 56R
CLK57	30mm X 4, 35mm X 2	OME67, 671	CS006F, 7F
CLK6	45mm X 4, 95mm X 2	OME6A/B, 61A/B, 611A/B	CS016RA/B, 42R, 46RA/B, 47R
CLK9	35mm X 2, 30mm X 2	OME91A/B, 99A/B	CS008FA/B, 9FA/B
CLKJ1	25mm X 4	OMEJ1R	CS036R
CLKJ2	30mm X 4, 80mm X 2	OMEJC2A/B	CS035RA/B
CLKNN	80mm X 2	OMENN1, NN11, NN2	CS030R, 31R, 32R
CLKROD	30mm X 4, 70mm X 2	OMEROD1, ROD11, ROD4, ROD5	CS024R, 25R
CLK13D	35mm X 4		CS013FA/B, 14F
CLK15D	55mm X 4, 150mm X 2		CS013R, 14R, 15R
CLK26D	45mm X 2, 95mm X 2	OME26, 261	CS026R, 27R
CLK33D	40mm X 4, 85mm X 2		CS033RA/B, 50R, 51R
CLK38D	20mm X 4, 65mm X 2		CS038R, 39R
CLK40D	60mm X 2		CS040R, 41R
CLK43D	35mm X 2, 45mm X 4, 85mm X 2		CS043R, 44R, 45R
CLK48D	47mm x 2		CS048R
CLK55D	40mm x 2, 50mm x 2		CS055R
CLK57D	35mm x 2, 120mm x 2		CS057R
CLK58D	45mm x 2, 115mm x 2		CS058R

INTER-LEAF LINER KIT FOR LEAF SPRINGS

IL01YE	6 LINERS PER KIT
SLK60	4 LEAF SLEEVES TO SUIT 60MM WIDTH
SLK70	4 LEAF SLEEVES TO SUIT 70MM WIDTH

LEAF SPRING CENTRE BOLT SLEEVES

Part No.	Length mm	OD mm	ID mm	Application
CBS01	15	25	15	LandCruiser 60 series rear
CBS02	10	19	16.8	GQ Patrol cab chassis front

DIAGRAM REFERENCE FOR SUSPENSION BUSH KITS

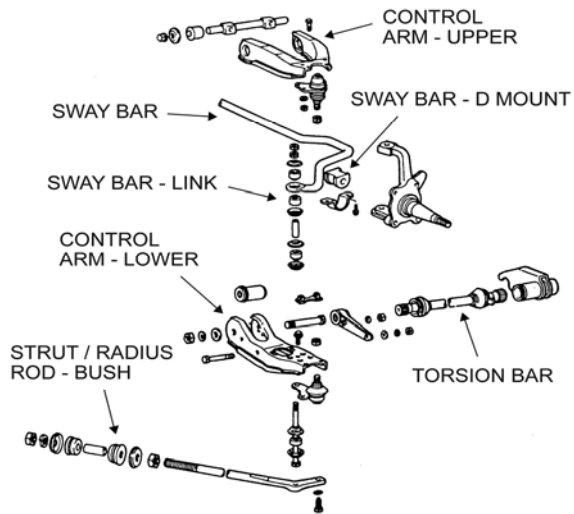


Diagram 1.

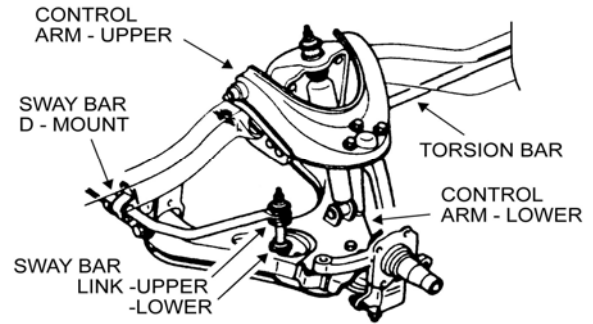


Diagram 2.

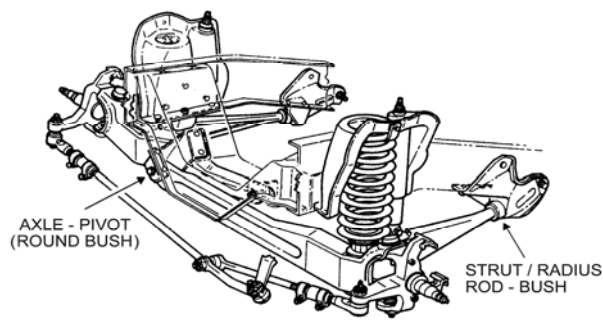


Diagram 3.

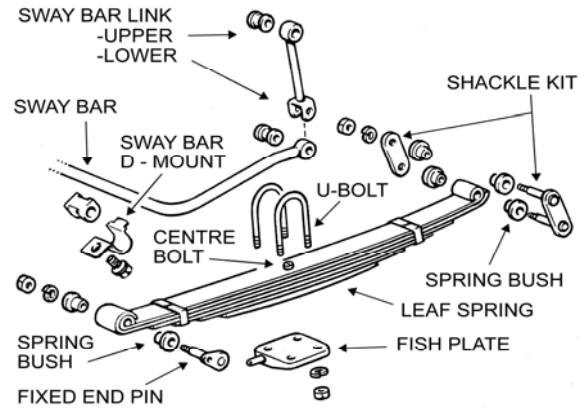


Diagram 4.

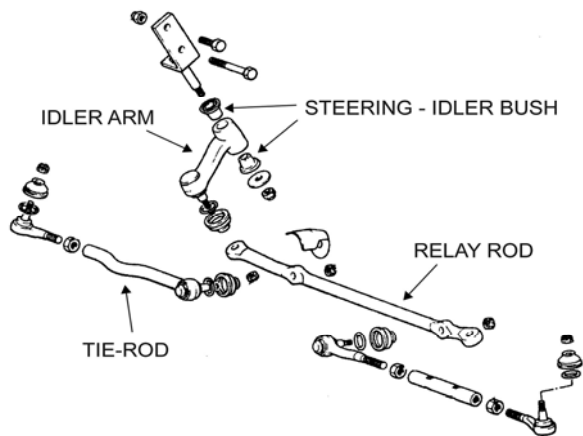


Diagram 5.

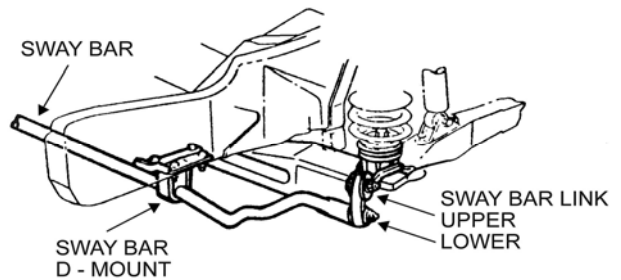


Diagram 6.

DIAGRAM REFERENCE FOR SUSPENSION BUSH KITS

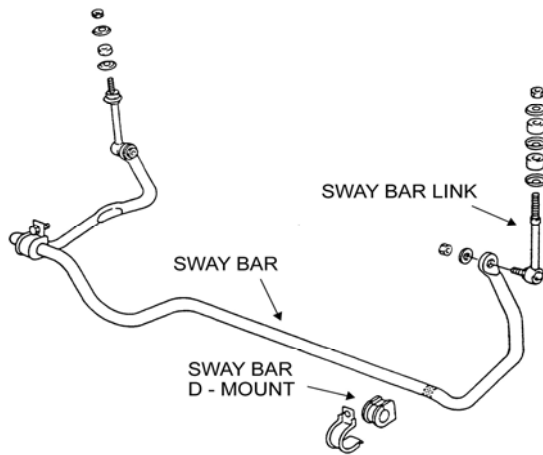


Diagram 7.

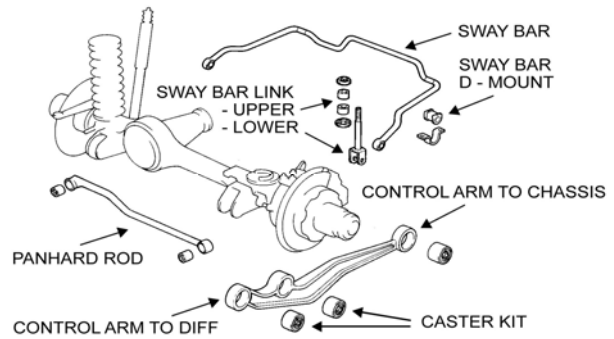


Diagram 8.

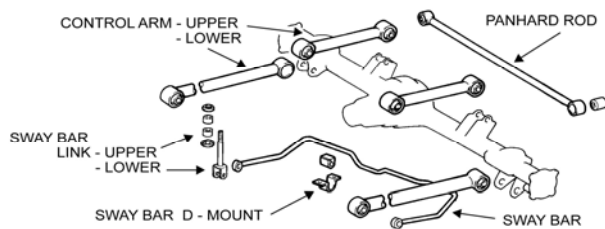


Diagram 9.

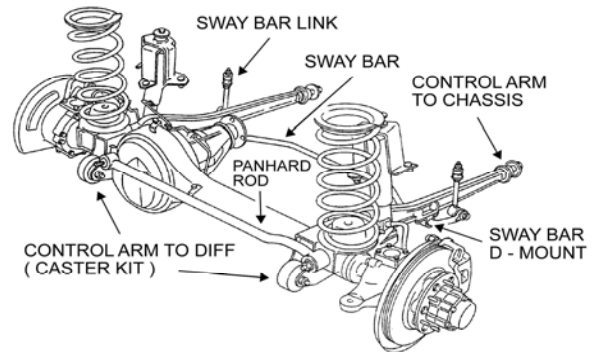


Diagram 10.

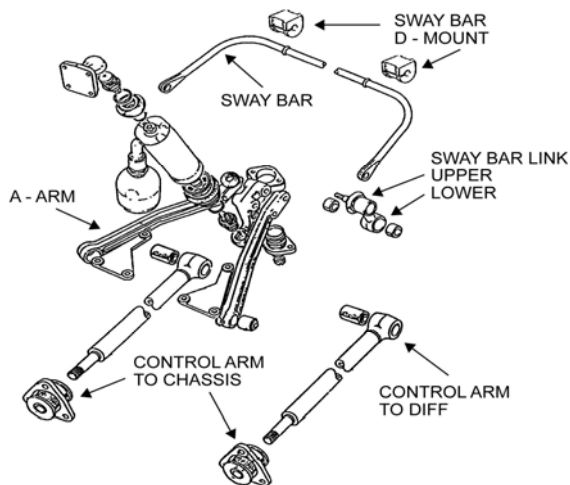


Diagram 11.

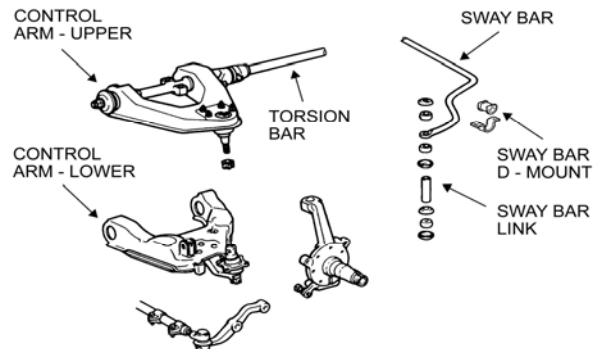


Diagram 12.

SUSPENSION BUSH KIT SELECTION

VEHICLE	YEAR	LOC'N	DESCRIPTION	OME P/NO.	QTY REQ.	NOTE
DAIHATSU						
F Series All Models	5/93 on	F	Sway bar - link lower	¹ OMESB2360	1	Refer Diagram 7
		R	Sway bar - link upper	¹ OMESB2360	1	" "
Feroza All Models	10/88 on	F	Sway bar - link inner/outer	¹ OMESB2360	2	" "
Rocky All Models	4/84 to 93	F	Sway bar - link eye	OMESB0052	1	" "
FORD						
Courier All Models	1/87 on	F	Sway bar - link	OMESB2361	1	Refer Diagram 2
		R	Spring bush	OMESB82	2	Refer Diagram 4
Maverick SWB & Wagon Models	8/87 to 9/93	F	Caster Kit	OMECA77B	1	Refer Diagram 8
			Coil Packer - 5mm	OMEGQPF05		" "
			Coil Packer - 10mm	OMEGQPF10		" "
			Control arm - to diff front/centre (std)	OMESB0055	1	" "
			Control arm - to chassis	OMESB0056	1	" "
			Panhard rod	OMESB0054	1	" "
			Sway bar - D mount (15mm)	OMESB2365	1	" "
			Sway bar - link	OMESB2379	1	" "
		R	Coil Packer - 5mm	OMEGQPR05	1	Refer Diagram 9
			Coil Packer - 10mm	OMEGQPR10		" "
			Control arm - upper	OMESB0062	1	" "
			Control arm - lower	OMESB0061	1	" "
			Panhard rod	OMESB0054	1	" "
			Sway bar - D mount (16mm)	OMESB2366	1	" "
			Sway bar - link	OMESB2379	1	" "
Maverick Single Cab Models Leaf Springs			Spring & shackle bush kit	OMESB64	2	Suits OME springs only Refer Diagram 4
GMH / ISUZU						
Drover	2/85 on	F	Spring bush	OMESB19	2	Refer Diagram 4
		R	Spring bush	OMESB19	2	Suits OE & OME springs Refer Diagram 4
Jackaroo / Trooper Models	8/85 to 91					
UBS 16 & 17		R	Spring & shackle bush kit	OMESB90	2	Suits OE & OME springs Refer Diagram 4
Rodeo - Isuzu Pick Up Models						
All Models	81 to 87	R	Spring bush	OMESB80	2	Suits OE & OME springs Refer Diagram 4
V6 Models Only	88 on	R	Spring bush	OMESB80	2	Suits OE & OME springs Refer Diagram 4
LADA NIVA						
	ALL	F	Coil Packer - 10mm	OMELNF10		
LAND ROVER						
Defender 90, 110 & 130 Models	92 on	F	Caster kit	CALR2	1	Suits 44mm wide control arms Refer Diagram 8
County 110 Model	84 to 92	F	Caster kit	CALR1	1	Suits 38mm wide control arms Refer Diagram 8
Discovery All Models	89 to 99	F	Caster kit	CALR2	1	Suits 44mm wide control arms Refer Diagram 8
Range Rover	72 to 86	F	Caster kit	CALR1	1	Suits 38mm wide control arms Refer Diagram 8
Range Rover	86 to 95	F	Caster kit	CALR2	1	Suits 44mm wide control arms Refer Diagram 8

SUSPENSION BUSH KIT SELECTION

VEHICLE	YEAR	LOC'N	DESCRIPTION	OME P/NO.	QTY REQ.	NOTE
MAZDA						
B2500 & B2600	3/87 to 98	F	Sway bar - link	OMESB2361	1	Refer Diagram 7
B2500 & B2600		R	Spring bush	OMESB82	2	Refer Diagram 4
MITSUBISHI						
Challenger PA Wagon (Rear Leaf Springs)	98 to 5/00	R	Spring bush	OMESB83	2	Refer Diagram 4
Pajero						
NG	9/89 to 5/91	F	Sway bar - link inner	OMESB2361	1	Suits V6 & intercooled diesel models Refer Diagram 2
NA, NB, NC, ND, NE, NF & NG	83 to 5/91	F	Sway bar - link inner/outer	¹ OMESB2360	2	Suits 4 cyl petrol & diesel models not intercooled Refer Diagram 2
NH & NJ	5/91 to 10/96	F				
NG, NH & NJ						
All Leaf Spring Models	5/91 on	R	Spring bush	OMESB8	2	Refer Diagram 4
Triton						
Club Cab Model Only		F	Sway bar - link inner/outer	¹ OMESB2360	2	Refer Diagram 2
		R	Spring bush	OMESB38	2	Refer Diagram 4
MK Models	10/96 on	R	Spring & shackle bush kit	OMESB38	2	Refer Diagram 4
NISSAN						
Navara D21 All	9/85 to 97	F	Sway bar - link	OMESB2379	1	Refer Diagram 1
		R	Spring & shackle bush kit	OMESB81	2	Refer Diagram 4
Navara D22 All	2/97 on		Sway bar - link upper	OMESB2379	1	Refer Diagram 1
		R	Spring & shackle bush kit	OMESB81	2	Suits models to 8/02 Refer Diagram 4
		R	Spring & shackle bush kit	OMESB91	2	Suits models 10/02 on Refer Diagram 4
Pathfinder All	8/86 to 94	F	Sway bar - link	OMESB2379	1	Refer Diagram 1
Patrol						
MQ (Round Head Lights)	80 to 8/84	F	Spring (front eye) bush kit	OMESB28	2	Use with OMESB29/OE springs use OMESB3 Refer Diagram 4
MQ (Square Head Lights)	8/84 to 87	F	Spring (front eye) bush kit	OMESB31	2	Use with OMESB29 suits OME springs Refer Diagram 4
MQ All Models	80 to 87	F	Spring (rear eye) bush kit	OMESB29	2	Refer Diagram 4
		R	Spring & shackle bush kit	OMESB2	2	Suits OE and OME springs Refer Diagram 4
			Spring bush	OMESB29	2	Suits OME springs Refer Diagram 4

¹When remaining stock of OME P/NO. is exhausted, no further product will be available

SUSPENSION BUSH KIT SELECTION

MODEL	YEAR	LOC'N	DESCRIPTION	OME P/NO.	KITS REQ	BUSHES IN KITS	DIAGRAM #	NOTES
NISSAN								
PATROL - Y60, GQ	11/87 to 97	F	Body mount - bumper area	OMESB9090	1	4		Suits Wagon & Hardtops, no kit available for cab Chassis model
		F	Body mount - cab front	OMESB9091	1	4		Suits All Wagon to 11/94 & All Hardtop models
		F	Body mount - cab centre	OMESB9092	1	4		Suits All Wagon & hardtop models
		F	Body mount - cab front & centre	OMESB9092	2	4		Suits Pick Up & Cab Chassis models
		F	Caster kit - Control arm	OMECA77B	1	4	8	
		F	Control arm - to axle	OMESB0055	1	8	8	
		F	Control arm - to chassis	OMESB0056	1	4	8	
		F	Spring - eye front/rear & shackle	OMESB1	2	6	4	Suits Leaf Spring models
		F	Sway bar - D mount 16mm	¹ OMESB2366	1	2	4	Suits Leaf Spring models
		F	Sway bar - D mount 15mm	OMESB0058	1	2	8	Suits All Wagon & Hardtop models
		F	Panhard rod - bush	OMESB0054	1	4	8	
		F	Sway bar - link	OMESB2379	1	8	8	Suits Coil spring models
		F	Coil Packer - 5mm	OMEGQPF05				
		F	Coil Packer - 10mm	OMEGQPF10				
		R	Body mount - cab rear to axle	OMESB9092	2	4		Suits All Wagon models
		R	Body mount - cab rear to axle	OMESB9092	1	4		Suits All Hardtop models
		R	Panhard rod - bush	OMESB0054	1	4	9	Not suitable before 9/89
		R	Spring - eye front/rear & shackle	OMESB64	2	6	4	Leaf Spring models
		R	Sway bar - link	OMESB2379	1	8	9	Suits Cab Chassis models with coil susp.
		R	Control arm - lower	OMESB0061	1	8	9	
		R	Control arm - upper	OMESB0062	1	8	9	
		R	Coil Packer - 5mm	OMEGQPF05				
		R	Coil Packer - 10mm	OMEGQPR10				
PATROL - Y61, GU	10/97 on	F	Body mount - bumper area	OMESB9090	1	4		Suits Wagon & Hardtop, no kit available for Cab chassis model
		F	Body mount - cab front	OMESB9091	1	4		Suits All Wagon & Hardtop models
		F	Body mount - cab centre	OMESB9092	1	4		Suits All Wagon & Hardtop models
		F	Body mount - cab front & centre	OMESB9092	2	4		Suits All Cab Chassis models
		F	Caster kit - Control arm - to axle	OMECA77B	1	4	8	
		F	Control arm - to axle	OMESB0055	1	8	8	
		F	Control arm - to chassis	OMESB0056	1	4	8	
		F	Panhard rod - bush	OMESB0054	1	4	8	
		F	Sway bar - link	OMESB2379	1	8	8	Suits Coil spring models to 2001
		F	Sway bar - mount 15mm	OMESB2365	1	2	8	
		R	Body mount - cab centre to axle	OMESB9092	2	4		Suits All Wagon models
		R	Body mount - cab centre to axle	OMESB9092	1	4		Suits All Hardtop models
		R	Panhard rod - bush	OMESB0054	1	4	9	
		R	Sway bar - link	OMESB2379	1	8	9	Suits Cab Chassis models with coil susp.
		R	Sway bar - mount 16mm	¹ OMESB2366	1	2	9	Suits Pick Up with coil susp.
		R	Trailing arm - lower	OMESB0061	1	8	9	
		R	Trailing arm - upper	OMESB0062	1	8	9	
		R	Coil Packer - 5mm	OMEGQPR05				
		R	Coil Packer - 10mm	OMEGQPR10				

¹When remaining stock of OME P/NO. is exhausted, no further product will be available

SUSPENSION BUSH KIT SELECTION

MODEL	YEAR	LOC'N	DESCRIPTION	OME P/NO.	KITS REQ	BUSHES IN KITS	DIAGRAM #	NOTES
SUZUKI								
Jimny SN413		R	Coil Packer - 10mm	OMESJR10				
LJ50	74 to 6/78	F	Spring Bush	OMESB25	2	4		Suits OE & OME Springs
	74 to 6/78	R	Spring Bush	OMESB25	2	4		Suits OE & OME Springs
LJ80	7/78 to 12/81	F	Spring Bush	OMESB19	2	4		Suits OE & OME Springs
		R	Spring Bush	OMESB19	2	4		Suits OE & OME Springs
Sierra SJ410 & SJ413	7/81 to 95	F	Spring Bush	OMESB19	2	4		Suits OE & OME Springs
		R	Spring Bush	OMESB19	2	4		Suits OE & OME Springs
TOYOTA								
4 Runner Leaf Spring Front & Rear								
4 Runner (Surf) LN60, YN60	7/84 to 10/85	F	Spring - bush kit	OMESB5	2	6	4	Suits OE & OME Springs
		R	Spring - bush kit	OMESB6	2	6	4	Suits OE & OME Springs
4 Runner IFS Front Leaf Spring Rear								
4 Runner (Surf) LN61, YN63	11/85 to 9/89	R	Spring - bush kit	OMESB6	2	6	4	Suits OE & OME Springs
HiLux IFS Front & Coil Spring Rear								
4 Runner (Surf) LN130, RN130, VZN130, YN130	10/89 to 6/96	F	Sway bar - mount 25mm	OMESB0049	1	2	12	
		R	Sway bar - link	OMESB2915	1	8	7	Suits LN130, RN130 models
		R	Sway bar - link	OMESB3010	1	4	7	Suits VZN130, YN130 models
HiLux 4WD Leaf Spring Front & Rear								
HiLux (Surf) LN36, 46 RN36, 46	4/79 to 10/83	F	Spring - bush kit	OMESB5	2	6	4	Suits OE & OME springs
		F	Sway bar - link	OMESB2915	1	8	4	
		R	Spring - bush kit	OMESB6	2	6	4	Suits OE & OME springs
HiLux (Surf) LN65, YN 65, 67	11/83 to 9/88	F	Spring - bush kit	OMESB5	2	6	4	Suits OE & OME Springs
		R	Spring - bush kit	OMESB6	2	6	4	Suits OE & OME Springs
HiLux (Surf) RN105, LN106	10/88 to 11/97	F	Spring - bush kit	OMESB5	2	6	4	Suits OE & OME Springs
		F	Sway bar - mount 25mm	OMESB0049	1	2	4	
		R	Spring - spring bush	OMESB6	2	6	4	Suits OE & OME Springs
HiLux 4WD IFS Front & Leaf Spring Rear								
HiLux (Surf) LN107, 111, RN106, 110, 111	10/88 to 12/97	F	Sway bar - mount 25mm	OMESB0049	1	2	1	
		R	Spring - bush kit	OMESB43	2	6	4	Suits OME Springs only
LN167, 172, RZN169, 174	11/97 on	F	Sway bar - link	OMESB2915	1	8	1	
		F	Sway bar - mount 25mm	OMESB0049	1	2	1	
		R	Spring - bush kit	OMESB43	2	6	4	Suits OME Springs only
KZN165	12/99 on	F	Sway bar - link	OMESB3010	2	4	1	
		F	Sway bar - mount 25mm	OMESB0049	1	2	1	
		R	Spring - bush kit	OMESB43	2	6	4	Suits OME Springs only

SUSPENSION BUSH KIT SELECTION

MODEL	YEAR	LOC'N	DESCRIPTION	OME P/NO.	KITS REQ	BUSHES IN KITS	DIAGRAM #	NOTES
TOYOTA (continued)								
LandCruiser 40 Series								
BJ40, 42, FJ40, 45, JH45, 47	1969 to 12/84	F	Spring - bush kit-to suit 15mm ID	OMESB30	2	6	4	Suits 35mm spring eye
		F	Spring - bush kit-to suit 15mm ID	OMESB4	2	6	4	Suits 25mm spring eye
		F	Spring - bush kit-to suit 18mm ID	OMESB1	2	6	4	Suits 35mm spring eye
		R	Spring - bush kit-to suit 15mm ID	OMESB4	2	6	4	Suits 25mm spring eye
		R	Spring - bush kit-to suit 15mm ID	OMESB30	2	6	4	Suits 35mm spring eye
		R	Spring - bush kit-to suit 18mm ID	OMESB79	2	6	4	Suits 35mm spring eye & 30mm hanger bracket
		R	Spring - bush kit-to suit 18mm ID	OMESB1	2	6	4	Suits 35mm spring eye
		R	Sway bar - link	¹ OMESB2102	2	2	4	Suits model 1/79 - on
LandCruiser 50 Series								
FJ55	11/72 to 11/80	F	Spring - bush kit	OMESB7	2	6	4	
		R	Spring - bush kit	OMESB7	2	6	4	
		R	Sway bar - link	¹ OMESB2102	2	2	4	Suits models 1/79 - on
LandCruiser 60 Series								
FJ60, 62, HJ60, 62	11/80 to 8/87	F	Spring - bush kit	OMESB1	2	6	4	
		F	Sway bar - link	OMESB2915	1	8	4	
		R	Spring - bush kit	OMESB1	2	6	4	Suits OE & OME Springs
		R	Sway bar - link upper & lower	¹ OMESB2102	2	2	4	
		R	Sway bar - mount 23mm	OMESB2327	1	2	4	
FJ62, HJ60, 61	8/87 to 12/91	F	Spring - bush kit	OMESB1	2	6	4	Suits OE & OME Springs
		F	Sway bar - link	OMESB2915	1	8	4	
		F	Sway bar - mount 23mm	OMESB2327	1	2	4	Suits models to 1/90
		R	Spring - bush kit	OMESB1	2	6	4	Suits OE & OME Springs
		R	Sway bar - link upper & lower	¹ OMESB2102	2	2	4	
		R	Sway bar - mount 23mm	OMESB2327	1	2	4	
LandCruiser 70 Series								
Bundera (Prado NZ) LJ70, RJ70	1/85 to 12/91	F	Panhard rod - bush	OMESB8133	1	4	10	Suits models to 8/87
		F	Sway bar - link	OMESB2361	2	8	10	
		F	Sway bar - mount 23mm	OMESB2327	1	2	10	Suits models 8/87 - 1/90
		F	Sway bar - mount 25mm	OMESB0049	1	2	10	
		F	Control arm - lower rear	¹ OMESB8131	1	4	10	
		R	Control arm - lower front	¹ OMESB8131	1	4	8	
BJ70, 73, 74	1/85 to 3/90	F	Spring - bush kit	OMESB1	2	6	4	Suit OE & OME Springs
		F	Sway bar - link	OMESB2361	2	8	4	
		F	Sway bar - mount 23mm	OMESB2327	1	2	4	Suits models to 5/86
		F	Sway bar - mount 23mm	OMESB0063	1	2	4	Suits models 6/86 on
		R	Spring - bush kit	OMESB1	2	6	4	Suits OE & OME Springs
HJ75	1/85 to 3/90	F	Spring - bush kit	OMESB1	2	6	4	Suits OE & OME Springs
		F	Sway bar - link	OMESB2361	2	8	4	
		F	Sway bar - mount 23mm	OMESB2327	1	2	4	Suits models to 5/86
		F	Sway bar - mount 23mm	OMESB0063	1	2	4	Suits models 6/86 on
		R	Spring - bush kit	OMESB16	2	6	4	

¹When remaining stock of OME P/NO. is exhausted, no further product will be available

SUSPENSION BUSH KIT SELECTION

MODEL	YEAR	LOC'N	DESCRIPTION	OME P/NO.	KITS REQ	BUSHES IN KITS	DIAGRAM #	NOTES
TOYOTA (continued)								
LandCruiser 70 Series								
FJ70, 73, 75	1/85 to 10/92	F	Spring - bush kit	OMESB1	2	6	4	Suits OE & OME Springs
		F	Sway bar - link	OMESB2361	2	8	4	
		F	Sway bar - mount 23mm	OMESB2327	1	2	4	Suits models to 5/86
		F	Sway bar - mount 23mm	OMESB0063	1	2	4	Suits models 6/86 on
		F	Sway bar - mount 25mm	OMESB0049	1	2	4	Suits FJ75 models to 8/91
		R	Spring - bush kit	OMESB16	2	6	4	Suits FJ70, 73 models
		R	Spring - bush kit	OMESB1	2	6	4	
		R	Sway bar - mount 25mm	OMESB0095	1	2	4	Suits Bracket height =38mm
FZJ70, 75, HZJ70, 73, 75	1/88 to 11/99	F	Spring - bush kit	OMESB1	2	6	4	Suits OE & OME Springs
		F	Sway bar - link	OMESB2361	2	8	4	
		F	Sway bar - mount 23mm	OMESB0063	1	2	4	Suits HZJ75 models to 4/91
		F	Sway bar - mount 25mm	OMESB0049	1	2	4	Suits HZJ75 models to 4/91
		F	Sway bar - mount 25mm	OMESB0095	1	2	4	Suits 4/91 on Bracket height = 38mm
		R	Spring - bush kit	OMESB16	2	6	4	Suits FJ75 models
		R	Spring - bush kit	OMESB1	2	6	4	Suits HZJ70 & 73 models
		R	Sway bar - mount 25mm	OMESB0095	1	2	4	Suits 4/91 on Bracket height = 38mm
PZJ70, 73	3/90 to 2/91	F	Spring - bush kit	OMESB1	2	6	4	Suits OE & OME Springs
		F	Sway bar - link	OMESB2361	1	8	4	
		R	Spring - bush kit	OMESB1	2	6	4	Suits OE & OME Springs
FZJ78, 79, HDJ78, 79, HZJ78, 79	8/99 on	F	Caster kit	OMECA77B	1	4	10	Caster align offset 3 degree
		F	Control arm - to chassis	OMESB0050	1	4	10	
		F	Sway bar - link outer	OMESB2413	2	2	10	Contains new bolts, nuts & crush tubes
		F	Sway bar - mount 31mm	OMESB2414	1	2	10	
		F	Panhard rod - bush	OMESB0046	1	4	10	
		R	Sway bar - link inner	OMESB3010	1	4	8	
		R	Sway bar - link outer lower	OMESB0052	1	4	4	
		R	Sway bar - link outer upper	OMESB3010	1	4	4	
			Sway bar - mount 25mm	OMESB0095	1	2	4	Suits Bracket height = 38mm
			Spring - bush kit	OMESB86	2	6	4	Suits FZJ / HDJ / HZJ78 models with OME Springs
			Spring - bush kit	OMESB84	2	6	4	Suits FZJ / HDJ / HZJ79 models with OME Springs
			Spring - bush kit	OMESB85	2	6	4	Suits all models with OME springs & greasable shackles

SUSPENSION BUSH KIT SELECTION

MODEL	YEAR	LOC'N	DESCRIPTION	OME P/NO.	KITS REQ	BUSHES IN KITS	DIAGRAM #	NOTES
TOYOTA (continued)								
LandCruiser 80 Series								
FJ80, FZJ80, HDJ80, HZJ80	1/90 to 2/98	F	Caster kit	OMECA77B	1	4	10	Caster align offset 3 degree
		F	Control arm - to chassis only	OMESB0050	1	4	10	
		F	Panhard rod - bush	OMESB0046	1	4	10	
		F	Control arm - complete kit	OMESB0045	2	6	10	
		F	Sway bar - link upper	OMESB0051	1	4	10	
		F	Sway bar - link lower	OMESB0044	1	4	10	
		F	Sway bar - mount 24mm	OMESB0063	1	2	10	Suits Bracket height = 35mm
		F	Sway bar - mount 26mm	OMESB0094	1	2	10	Suits Bracket height = 35mm
		F	Sway bar - mount 26mm	OMESB0091	1	2	10	Suits Bracket height = 38mm
		F	Sway bar - mount 29mm	OMESB0092	1	2	10	Suits Bracket height = 38mm
		F	Coil Packer - 5mm	OME80PF05			10	
		F	Coil Packer - 10mm	OME80PF10			10	
		R	Panhard rod - bush	OMESB0053	1	4	8	
		R	Sway bar - link lower	OMESB0052	1	4	8	
		R	Sway bar - link upper	OMESB3010	1	4	8	
		R	Sway bar - mount 25mm	OMESB0049	1	2	8	Suits Bracket height = 35mm
		R	Sway bar - mount 25mm	OMESB0095	1	2	8	Suits large Bracket height = 38mm
		R	Control arm - lower	OMESB0047	1	8	8	
		R	Control arm - upper	OMESB0048	1	8	8	
LandCruiser 100 Series								
FZJ105, HZJ105 Solid Axle	3/98 on	F	Caster kit	OMECA77B	1	4	10	Caster align offset 3 degree
		F	Control arm - complete kit	OMESB0045	2	6	10	STD replacement
		F	Control arm - to chassis only	OMESB0050	1	4	10	
		F	Panhard rod - bush	OMESB0046	1	4	10	
		F	Sway bar - link lower	OMESB0044	1	2	10	
		F	Coil Packer - 5mm	OME80PF05				
		F	Coil Packer - 10mm	OME80PF10				
		F	Sway bar - mount 29mm	OMESB0092	1	2	10	Suits large bracket (Bracket height = 38mm)
		R	Sway bar - link upper	OMESB3010	1	4	8	
		R	Sway bar - link lower	OMESB0052	1	4	8	
		R	Panhard rod - bush	OMESB0053	1	4	9	
		R	Sway bar - mount 25mm	OMESB0095	1	2	8	Suits Bracket height = 38mm
		R	Control arm - lower	OMESB0047	1	8	8	
		R	Control arm - upper	OMESB0048	1	8	8	
		R	Coil Packer - 5mm	OME80PR05				
		R	Coil Packer - 10mm	OME80PR10				
LandCruiser Lexus								
HDJ100, UZJ100 (Lexus) IFS	3/98 on	F	Sway bar - link upper	OMESB2361	1	4	7	
		R	Sway bar - link	OMESB2915	1	8	7	
Tacoma								
	To 2004	R	Spring bush	OMESB88	2	4	4	Suits OME Springs only
		R	Spring bush	OMESB89	2	4	4	Suits original shackles only

SPECIFICATIONS

NITROCHARGER SPORT

Part Number	Open Length (mm)	Closed Length (mm)	Type	Replacement Upper Mount Bush Kit	Type	Replacement Lower Mount Bush Kit	Dirt Shield Part Number
Nitrocharger Sport							
60000	443	298	P4203	N/A	E4050-BS	110-110-090	384006170
60001	443	298	P4203	SMP493	E4050-BS	110-110-090	384006170
60002	612	368	P4204	SMP493	E4005	OMEB40	384006250
60003	612	368	P4204	SMP493	E4005	OMEB40	384006250
60004	580	356	P4184	N/A	E4005	OMEB40	384006250
60005	580	356	P4184	SMP569	E4005	OMEB40	384006250
60006	600	373	E4005	SMP649	E4005	SMP649	384006250
60007	597	373	E4005	SMP649	E4005	SMP649	384006250
60008	524	319	P4184	OMEB42	P4184	OMEB42	384006210
60009	589	349	P4169	OMEB13	E4005	OMEB36	384006250
60010	652	403	E4005	OMEB15	E4005	OMEB15	384006290
60011	657	403	E4005	OMEB15	E4005	OMEB15	384006290
60012	496	301	P4184	OMEB42	P4184	OMEB42	384006210
60013	496	301	P4184	OMEB42	P4184	OMEB42	384006210
60014	657	403	E4005	OMEB36	E4005	OMEB40	384006290
60015	657	403	E4005	OMEB36	E4005	OMEB40	384006290
60016	376	262	E4051-S	N/A	E4051-S	N/A	
60017	559	350	E4001	OMEB14	E4063-S	N/A	384006250
60018	617	359	P4184	OMEB42	P4184	OMEB42	384006290
60019	582	354	P4158	N/A	E4040-BS	N/A	384006250
60020	625	378	P4184	OMEB42	E4005	OMEB36	384006250
60021	325	215	P4169	OMEB13	E4026-S	OMEB10	OME412422
60022	363	239	P4205	OMEB13	E4050	TBA	OME412422
60023	624	380	E4005	OMEB15	E4005BS	-	384006250
60024	587	368	E4005-S	N/A	E4005-T	N/A	384006250
60025	587	368	E4005-S	N/A	E4005-BS	110-110-066	384006250
60026	593	368	E4005-S	N/A	E4005-BS	110-110-066	384006250
60027	545	338	P4169	OMEB13	E4005	OMEB15	384006210
60028	545	338	P4169	OMEB13	E4005	OMEB15	384006210
60029	615	368	P4204	N/A	E4005	OMEB40	384006250
60030	615	368	P4204	N/A	E4005	OMEB40	384006250
60031	385	250	P	OMEB13	E4026-S	OMEB10	OME412422
60032	597	365	E4001	OMEB14	E4001	OMEB14	384006250
60033	581	354	P4158	N/A	E4051-BS	N/A	384006250
60034	311	208	P4205	OMEB13	E4026-S	OMEB10	OME412422
60035	560	345	E4001	OMEB14	E4001	OMEB14	384006250
60036	559	339	E4001	OMEB14	E4001	OMEB14	384006250
60037	553	329	P4184	OMEB42	P4184	OMEB42	384006250
60038	560	346	E4005	OMEB40	P4184	SMP683	384006250
60039	560	346	E4005	OMEB40	P4184	SMP683	346006250
60040	345	225	P4169	OMEB13	E4026-S	OMEB10	OME412422
60041	478	304	P4169	OMEB13	E4001	OMEB17	384006210
60042	352	232	P4169	OMEB13	E4005-S	OMEB17	OME412422
60043	660	397	E4005	OMEB15	E4005	OMEB15	384006290
60044	640	390	E4005	OMEB15	E4005	OMEB15	384006250
60045	642	382	E - TB	N/A	E - S	N/A	
60046	565	334	P4169	N/A	E4026-TB	N/A	384006250
60047	565	334	P4169	N/A	E4026-TB	N/A	384006250
60048	559	338	E4026-TB	N/A	E4026-S	N/A	
60049	559	338	E4026-TB	N/A	E4026-S	N/A	
60050	659	389	E4001	OMEB14	E4001	OMEB14	384006290
60051	339	224	P4169	OMEB13	E4026-T	110-034-078	OME412422

Note: Bush kits with part numbers starting with SMP indicate the kits have the urethane bush, mounting nut & washers.

The last 3 numbers of the Dirt Shield Part Number indicates the length of the dirt shield.

See page 107 for legend of mount types

SPECIFICATIONS

NITROCHARGER SPORT

Part Number	Open Length (mm)	Closed Length (mm)	Type	Replacement Upper Mount Bush Kit	Type	Replacement Lower Mount Bush Kit	Dirt Shield Part Number
Nitrocharger Sport							
60052	565	344	P4169	N/A	E4026-T	110-110-088	384006250
60053	559	338	E4026-T	110-110-089	E4026-S	OMEB10	
60054	644	384	E4005	OMEB36	P4169	OMEB13	
60055	496	301	P4184	OMEB42	P4184	OMEB42	384006210
60056	503	312	E4001	OMEB14	E4005-S	OMEB17	384006210
60057	559	339	E4001	OMEB14	E4001	OMEB14	384006250
60058	619	369	E4001	OMEB14	E4001	OMEB14	384006250
60059	523	329	E4001	OMEB14	E4005-S	OMEB17	384006210
60061	485	294	P4169	OMEB13	E4026-S	OMEB10	384006210
60062	587	357	E4005	OMEB15	E4005	OMEB15	384006250
60063	588	348	P4169	OMEB13	E4005	OMEB36	384006250
60064	594	360	E4005	OMEB15	E4005	OMEB15	384006250
60065	581	356	E4005	OMEB15	E4005	OMEB15	384006250
60066	580	348	P4184	OMEB42	E	N/A	384006250
60067	619	368	E-TB	N/A	E	N/A	
60068	509	314	P4169	OMEB13	E4005	OMEB15	384006210
60069	576	362	E4057-S	N/A	E4005-S	N/A	384006250
60070	617	359	P4184	OMEB42	P4184	OMEB42	384006290
60071	625	378	P4184	OMEB42	E4005	OMEB36	384006250
60072	383	254	P4169	OMEB13	E4005-S	OMEB17	141-032-028
60073	549	334	P4169	OMEB13	E4005	OMEB36	384006250
60074	517	333	E4005-S	OMEB17	E4005	OMEB15	384006210
60075	523	329	E4001	OMEB14	E4005-S	OMEB17	384006210
60076	523	329	E4001	OMEB14	E4005-S	OMEB17	384006210
60077	583	354	P4205	OMEB13	E4005-S	OMEB15	384006250
60078	583	354	P4205	OMEB13	E4005-S	OMEB15	384006250
60080	603	368	P4184	SMP569	E4005	OMEB40	384006250
60081	603	368	P4184	SMP569	E4005	OMEB40	384006250
60082	602	368	E	N/A	E	N/A	384006250
60083	602	368	E	N/A	E	N/A	384006250
90000	543	413	P	SMP671	E4050-S	110-110-060	
90001	404	273	P	N/A	N/A	110-110-100	TBA
90002	548	413	P	SMP626	E4050-S	110-110-060	
90003	390	287	P	N/A	E4063-BS	110-110-100	-
90004	473	340	P	N/A	E4050-B	110-110-060	
90005	613	432	P4214	Use OE Bushes	E4066	N/A	
90006	474	330	N/A	N/A	E4055BS	N/A	-
90007	474	330	P	N/A	E4055BS	110-110-075	-
90008	426	306	P	N/A	E4055BS	N/A	-
90009	316	204	P	N/A	N/A	N/A	
90010	543	413	P	N/A	E4050-S	110-110-112	
90011	548	413	P	SMP626	E4050-S	110-110-060	
90012	615	485	P	SMP698	N/A	N/A	N/A
90013	615	485	P	SMP698	N/A	N/A	N/A

Note: Bush kits with part numbers starting with SMP indicate the kits have the urethane bush, mounting nut & washers.
 The last 3 numbers of the Dirt Shield Part Number indicates the length of the dirt shield.
 See page 107 for legend of mount types.
 For Competition Shock Measurements refer to page 14.

SPECIFICATIONS

NITROCHARGERS

Part Number Nitrocharger	Open Length (mm)	Closed Length (mm)	Type	UPPER MOUNT BUSH KIT		Type	LOWER MOUNT BUSH KIT	
				Original Kit	Bushes only Replacement		Original Kit	Bushes only Replacement
N15/N15C	517	327	E4005-S	110-034-072	N/A	E4005	110-034-064	OMEB36
N16	477	352	P4184	SMP374	OMEB42	E4078-T	SMP487	110034078
N17	632	382	E4026-T	SMP488	11003478	E4026-S	110-034-074	N/A
N18	340	225	P4169	SMP474	OMEB13	E4026-S	110-034-056	OMEB10
N19/N19C	492	292	P4184	SMP345	OMEB42	P4184	SMP345	OMEB42
N21	492	292	P4184	SMP345	OMEB42	P4184	SMP345	OMEB42
N22F	656	396	E4005	SMP363	OMEB36	E4005	SMP363	OMEB40
N23F	492	292	P4184	SMP345	OMEB42	P4184	SMP345	OMEB42
N25	642	377	E4005	SMP517	OMEB36	P4169	SMP474	OMEB13
N26F	381	245	P4169	SMP474	OMEB13	E4026-S	N/A	OMEB10
N27	560	340	E4005	110-034-069	OMEB40	P4184	SMP683	SMP683
N28	504	309	P4169	SMP474	OMEB13	E4005	SMP343	OMEB36
N29/N29C	656	396	E4005	SMP363	OMEB36	E4005	SMP363	OMEB40
N30	618	368	E4001	110-034-065	OMEB14	E4001	110-034-065	OMEB14
N30E	659	389	E4001	*110-034-065	OMEB14	E4001	110-034-065	OMEB14
N31S	501	318	N/A	N/A	N/A	N/A	N/A	N/A
N32	500	315	P4169	SMP474	OMEB13	E4026-S	N/A	OMEB10
N33	625	365	P4169	SMP476	OMEB13	E4026-S	110-034-056	OMEB10
N34	509	329	E4001	110-034-065	OMEB14	E4026-S	110-034-056	OMEB10
N35/N35C	568	348	P4169	SMP476	N/A	E4026-T	110-110-088	110-110-088
N36/N36C	562	342	E4026-T	110-110-089	110-110-089	E4026-S	110-034-056	OMEB10
N37	591	366	E4040-S	110-110-054	N/A	E4040-S	110-110-054	N/A
N38S	473	339	P	N/A	N/A	E-B	N/A	N/A
N39/N39C	562	342	P4169	SMP476	SMP476	E4026-T	110-110-088	110-110-088
N40/N40C	556	336	E4003	110-034-076	N/A	E4026-S	110-034-056	OMEB10
N41	499	309	E4001	110-034-065	OMEB14	E4001	110-034-065	OMEB14
N42	594	359	E4001	110-034-065	OMEB14	E4001	110-034-065	OMEB14
N43	485	295	P4169	SMP474	OMEB13	E4001	110-034-065	OMEB14
N44	560	340	E4005	110-034-069	OMEB40	P4184	SMP683	SMP683
N45F	554	324	P4184	SMP343	OMEB42	P4184	SMP343	OMEB42
N46	560	340	E4005	110-034-069	OMEB40	P4184	SMP683	SMP683
N47	406	251	P4169	SMP474	OMEB13	P4169	SMP474	OMEB13
N48	560	335	E4001	110-034-065	OMEB14	P4169	SMP474	OMEB13
N49	446	271	P4169	SMP474	OMEB13	P4169	SMP474	OMEB13
N50	584	349	P4169	SMP474	OMEB13	E4005	110-034-064	OMEB36
N51	365	235	P4169	SMP474	OMEB13	E4026-BS	110-034-181	110-034-181
N52/N52F	425	265	P4161	SMP334	OMEB12	E4026-S	110-A42-071	OMEB10
N53/N53C	628	378	E4040-B	110-004-040	N/A	E4026-S	110-034-181	110-034-181
N54	554	339	E4001	*110-034-065	OMEB14	E4001	110-034-065	OMEB14
N55	585	345	P4161	SMP334	OMEB12	E4026-S	110-A42-071	OMEB10
N56	554	339	E4001	*SMP516	OMEB14	E4001	SMP516	OMEB14
N57G	340	225	P4169	SMP474	OMEB13	E4026-S	N/A	OMEB10
N58	325	215	P4169	SMP474	OMEB13	E4026-S	N/A	OMEB10
N59	559	339	E4001	*SMP516	OMEB14	E4001	SMP516	OMEB14
N60G	340	225	P4169	SMP474	OMEB13	E4026-T	110-110-078	110034078
N61/N61C	607	367	E4005-S	SMP363	OMEB17	E4026-S	110-034-056	OMEB10
N62G	507	317	E4001	110-034-065	OMEB14	E4005-S	110-034-077	OMEB17
N63G	478	299	P4169	SMP474	OMEB13	E4005-S	110-034-077	OMEB17
N64/N64C	478	299	P4169	SMP474	OMEB13	E4005-S	110-034-077	OMEB17
N65	385	245	P4169	SMP474	OMEB13	E4026-S	110-034-056	OMEB10
N66/N66C	568	335	P4169	SMP476	N/A	E4026-TB	110-110-088	N/A
N67	562	339	E4026-TB	110-110-089	N/A	E4026-S	110-034-056	OMEB10
N68	640	384	E4005	110-034-064	OMEB15	E4005	110-034-064	OMEB15

Note: Bush kits with part numbers starting with SMP indicate the kits have the urethane bush, mounting nut & washers.

*Spacer Kit SMP511 also supplied.

** Units with build date between 6/2007 - 05/2008 use SMP374

See page 107 for legend of mount types

SPECIFICATIONS

NITROCHARGERS

Part Number Nitrocharger	Open Length (mm)	Closed Length (mm)	Type	UPPER MOUNT BUSH KIT		Type	LOWER MOUNT BUSH KIT	
				Original Kit	Bushes only Replacement		Original Kit	Bushes only Replacement
N68E	660	394	E4005	110-034-064	OMEB15	E4005	110-034-064	OMEB15
N69	470	290	E4005	110-034-064	OMEB36	P4184	SMP343	OMEB42
N70	614	354	P4184	SMP403	OMEB42	P4184	SMP403	OMEB42
N71E	620	370	P4184	SMP403	OMEB42	E4005	110-034-064	OMEB36
N72F	548	329	P4169	SMP474	OMEB13	E4005	110-034-064	OMEB36
N73	614	354	P4184	SMP501	OMEB42	P4184	SMP501	OMEB42
N74E	620	370	P4184	SMP501	OMEB42	E4005	110-034-064	OMEB36
N75	640	390	E4005	110-034-064	OMEB15	E4005	110-034-064	OMEB15
N75E/N75F	652	397	E4005	110-034-064	OMEB15	E4005	110-034-064	OMEB15
N76	685	408	E4005	110-034-064	OMEB15	E4005	110-034-064	OMEB15
N77	570	340	E4032-S	110-110-077	N/A	P4169	SMP474	OMEB13
N78	447	287	E4005	110-034-064	OMEB15	E4005	110-034-064	OMEB15
N79	507	307	E4005	110-034-064	OMEB36	P4169	SMP474	OMEB13
N80	352	232	P4169	SMP474	OMEB13	E4005-S	110-034-072	OMEB17
N81	499	309	E4001	110-034-065	OMEB14	E4001	110-034-065	OMEB14
N83	345	225	P4169	SMP474	OMEB13	E4026-S	SMP381	OMEB10
N84	485	295	P4169	SMP474	OMEB13	E4026-S	N/A	OMEB10
N85	587	357	E4005	110-034-064	OMEB15	E4005	110-034-064	OMEB15
N86/N86C	539	329	P4169	SMP474	OMEB13	E4005	110-034-064	OMEB15
N87	352	232	P4169	SMP474	OMEB13	E4005-S	110-034-072	OMEB17
N88	589	349	P4169	SMP474	OMEB13	E4005	110-034-064	OMEB36
N89	594	359	E4001	**110-034-065	OMEB14	E4001	110-034-065	OMEB14
N90	582	357	E4005	110-034-064	OMEB15	E4005	110-034-064	OMEB15
N91S	470	335	P-	SMP415	N/A	E4050-B	110-110-060	110-110-060
N91SC	470	335	P-	SMP415	N/A	E4050-B	110-110-060	110-110-060
N92	589	349	P4169	SMP474	OMEB13	E4005	110-034-064	OMEB36
N93	485	295	P4169	SMP474	OMEB13	E4026-S	N/A	OMEB10
N94	587	357	E4005	110-034-064	OMEB15	E4005	110-034-064	OMEB15
N95	599	359	E4001	**110-034-065	OMEB14	E4001	110-034-065	OMEB14
N96	431	261	P4169	SMP474	OMEB13	P4169	SMP474	OMEB13
N97	545	325	E4001	110-034-065	OMEB14	P4169	SMP474	OMEB13
N98	389	249	P4169	SMP474	OMEB13	E4005-S	110-034-072	OMEB17
N100	440	290	P4203	SMP493	N/A	E4050-BS	110-110-090	110-110-090
N101/N101C	610	360	P4204	SMP493	SMP493	E4005	110-034-063	OMEB40
N102	482	302	P4169	SMP474	OMEB13	E4050-BS	110-110-090	N/A
N103S	504	318	P-	N/A	N/A	N/A	N/A	N/A
N104/N104C	641	391	E4040-S	110-110-054	N/A	E4055-S	110-110-069	N/A
N105	508	318	P4169	SMP474	OMEB13	E4026-S	110-004-074	OMEB10
N106/N106C	537	317	P4184	SMP501	OMEB42	P4184	SMP501	OMEB42
N107/N107C	608	373	E4005-S	110-110-066	N/A	E4005-T	110-110-067	N/A
N108/N108C	593	363	E4005-S	110-110-066	N/A	E4005-BS	110-110-066	110-110-066
N109S	472	327	N/A	Use OE Bushes	N/A	E4055BS	110-110-075	N/A
N110	575	350	P4158	SMP641	N/A	E4040-BS	110-110-076	N/A
N111	548	328	P4170	SMP312	N/A	E4026-S	SMP487	N/A
N112	449	279	P4169	SMP474	OMEB13	E4005	110-034-064	OMEB15
N113	537	337	E4005	110-034-064	OMEB15	E4005	110-034-064	OMEB15
N114	475	285	P4184	SMP345	OMEB42	P4184	SMP345	OMEB42
N115	554	324	P4184	SMP343	OMEB42	P4184	SMP343	OMEB42
N116	527	327	E4001	110-034-065	OMEB14	E4005-S	110-034-072	OMEB17
N117	578	358	E4057-S	110-110-085	N/A	E4001-T	110-034-020	OMEB10
N118	532	322	P4169	SMP474	OMEB13	E4005	110-034-080	OMEB11
N119S	596	395	N/A	SMP483	SMP483	N/A	N/A	N/A
NC120	609	402	N/A	110-039-058	110039058	N/A	N/A	N/A

Note: Bush kits with part numbers starting with SMP indicate the kits have the urethane bush, mounting nut & washers.

*Spacer Kit SMP511 also supplied.

** Spacer Kit SMP495 supplied

See page 107 for legend of mount types

SPECIFICATIONS

NITROCHARGERS

Part Number Nitrocharger	Open Length (mm)	Closed Length (mm)	Type	UPPER MOUNT BUSH KIT		Type	LOWER MOUNT BUSH KIT	
				Original Kit	Bushes only Replacement		Original Kit	Bushes only Replacement
N121S	576	389	N/A	SMP483	SMP483	N/A	N/A	N/A
NC122	589	402	N/A	110-039-058	110039058	N/A	N/A	N/A
N123S	596	395	N/A	SMP483	SMP483	N/A	N/A	N/A
N124S	576	389	N/A	SMP483	SMP483	N/A	N/A	N/A
N125S	411	289	P	SMP363	SMP363	N/A	N/A	N/A
N126S	411	289	P	SMP363	SMP363	N/A	N/A	N/A
N127S	601	385	P	SMP354	SMP354	E-BS	N/A	N/A
N128	358	238	P4205	SMP474	OMEB13	E4026-T	SMP489	N/A
N129S	472	327	P	Use OE Bushes	N/A	E4055-BS	110-110-075	110-110-075
NS130	333	201	P	SMP497	SMP497	N/A	N/A	N/A
NS131	333	201	P	SMP497	SMP497	N/A	N/A	N/A
N132	573	359	E4057-S	110-110-085	N/A	E4005-S	110-110-086	N/A
N133	443	287	P4203	SMP493	SMP493	E4050-BS	110-110-090	110-110-090
N134	559	349	E4057-S	110-110-085	N/A	E4005-S	110-110-086	N/A
N135S/N136S	602	393	P	SMP483	SMP483	N/A	N/A	N/A
NC137	539	369	P	SMP546	N/A	-	-	-
NC138	609	400	P	SMP546	N/A	-	-	-
N139S	543	405	P	SMP633/626	N/A	E4050-S	110-110-060	110-110-060
N140S	543	405	P	SMP633/626	N/A	E4050-S	110-110-060	110-110-060
N141	577	353	P4184	SMP569	N/A	E4005	SMP621	OMEB40
N142	577	353	P4184	SMP569	N/A	E4005	SMP621	OMEB40
N143S	590	408	P	-	N/A	-	-	N/A
N144S	590	408	P	-	N/A	-	-	N/A
NC145	651	439	P	SMP625	N/A	-	-	N/A
N146	655	379	P	SMP641	N/A	E4055-BS	110-110-093	N/A
N147S	476	362	P	SMP640	N/A	E4050-S	110-110-060	110-100-060
N148S	476	362	P	SMP640	N/A	E4050-S	110-110-060	110-110-060
N149	504	313	E4051-BS	110-110-092	N/A	E4051-BS	110-110-092	N/A
N150	388	242	P4205	SMP474	OMEB13	E4026-S	110-034-056	OMEB10
N151	308	202	P4205	SMP474	OMEB13	E4026-S	110-034-056	OMEB10
N152	576	345	P4158	SMP641	N/A	E4051-BS	110-110-076	N/A
N153	528	312	P4205	SMP474	OMEB13	E4026-S	110-034-074	OMEB10
N154	562	336	E4001	110-034-065	OMEB14	E4001	110-034-065	OMEB14
N155	568	332	P4205	SMP474	OMEB13	E4001	110-034-065	OMEB14
N156S	365	530	-	Nut only	OEM	N/A	OEM	OEM
N157S	365	530	-	Nut only	OEM	N/A	OEM	OEM
N158S	405	610	-	Nut only	OEM	N/A	OEM	OEM
N159S	405	610	-	Nut only	OEM	N/A	OEM	OEM
NC160	601	403	P	SMP546	SMP546	N/A	N/A	N/A
NC161	572	386	P	SMP625 & 633	SMP625 & 633	N/A	N/A	N/A
N162	348	222	P4205	SMP474	OMEB13	E4026-S	110-034-056	OMEB10
NC163	617	386	P	SMP625 & 633	SMP625 & 633	N/A	N/A	N/A
N164	527	317	P4184	SMP501	OMEB42	P4184	SMP501	OMEB42
N165	657	397	E4005	110-034-064	OMEB15	E4005	110-034-064	OMEB15
N166S	543	411	P	SMP633 & 626	SMP633 & 626	E4050-S	110-110-060	110-110-060
N167S	543	411	P	SMP633 & 626	SMP633 & 626	E4050-S	110-110-060	110-110-060
N168	600	370	E4005	SMP649	SMP649	E4005	SMP649	SMP649
N169	600	370	E4005	SMP649	SMP649	E4005	SMP649	SMP649
N170	348	322	P4205	SMP474	OMEB13	E4026-S	110-034-056	OMEB10
N171	532	316	P4205	SMP474	OMEB13	E4005	SMP650	OMEB15
N172	532	316	P4205	SMP474	OMEB13	E4005	SMP650	OMEB15
N173S	481	301	P	N/A	N/A		N/A	N/A
N174	597	341	P4180	SMP343	SMP343	P4180	SMP343	SMP343
N175	603	363	E4005	110-034-063	OMEB36	P4180	SMP343	SMP343

Note: Bush kits with part numbers starting with SMP indicate the kits have the urethane bush, mounting nut & washers.

See page 107 for legend of mount types

SPECIFICATIONS

NITROCHARGERS

Part Number Nitrocharger	Open Length (mm)	Closed Length (mm)	Type	UPPER MOUNT BUSH KIT		Type	LOWER MOUNT BUSH KIT	
				Original Kit	Bushes only Replacement		Original Kit	Bushes only Replacement
N176	535	319	E4055-S	110-110-066	N/A	P4180	SMP343	SMP343
N177	485	299	E4055-S	110-110-066	N/A	P4180	SMP343	SMP343
N178	600	364	E4005	110-034-080	110-034-080	E4005-S	110-A42-124	OMEB11
N179	790	456	E4005	110-034-080	110-034-080	E4005-S	100-A42-124	OMEB11
N180	690	406	E4005	110-034-080	110-034-080	E4005-S	110-A42-124	OMEB11
N181	537	317	P4184	SMP501	OMEB42	P4184	SMP501	OMEB42
N182	608	352	P4205	SMP474	OMEB13	E4026-S	110-034-056	N/A
N183S	390	281	P-	SMP633	N/A	E4063-BS	110-110-100	N/A
N184	379	255	E4051-S	110-110-076	N/A	E4051-S	110-110-076	N/A
N185	567	341	E4001	110-043-065	OMEB14	E4063-S	110-110-100	N/A
N186S	426	298	P-	N/A	N/A	E4055-BS	110-110-075	N/A
N187	360	240	P4205	SMP475	OMEB13	E4050	TBA	TBA
N188S	-	-	-	-	-	-	-	-
N189	600	360	E4005	110-034-064	OMEB15	E4005BS	110-034-080	-
N190	658	394	E4057-S	110-110-085	N/A	E4005-S	110-110-086	-
N191	589	349	P4205	SMP474	OMEB13	E4005-S	110-034-064	OMEB15
N192S	589	424	P-	SMP659	SMP659	E4055-BS	110-110-101	-
N193	661	391	P4203	SMP493		E4040-BS	110-110-102	N/A
N194	360	240	P4205	SMP475	OMEB13	E4050	TBA	TBA
N195	560	340	P4204	SMP493	-	E4051-S	110-110-103	-
N196	576	348	P4184	SMP374	OMEB42	E-TBA	TBA	TBA
N197	652	397	E4005	110-034-064	OMEB15	E-4005	110-034-064	OMEB15
N198	615	375	E-TBA	TBA	TBA	E-TBA	TBA	TBA
N199	440	290	P4203	SMP493	SMP493	E4050-BS	110-110-090	110-110-090
N200	610	360	P4204	SMP493	SMP493	E4005	110-034-063	OMEB40
N201S	543	405	P-	SMP633/626	SMP633/626	E4050-S	110-110-060	110-110-060
N202	577	353	P4184	SMP569	SMP569	E4005	SMP621	OMEB40
N203S	472	327	P	Use OE Bushes	N/A	E4055-BS	110-110-075	110-110-075
N204	576	345	P4158	SMP641	N/A	E4051-BS	110-110-076	N/A
N205	507	312	P4213	SMP665	N/A	E4051-BS	110-110-092	N/A
N206S	602	399	P-	Nut only	N/A	N/A	N/A	N/A
N207S	602	399	P-	Nut only	N/A	N/A	N/A	N/A
N208S	608	433	P4214	Use OE Bushes	Use OE Bushes	E4066	N/A	110-110-110
N209	610	360	P4204	SMP493	N/A	E4005	110-034-063	OMEB40
N210	610	360	P4204	SMP493	N/A	E4005	110-034-063	OMEB40
N211	576	348	P4184	SMP374	OMEB42	E4026	110-034-181	110-034-181
N212	618	375	E4053	110-110-105	N/A	E4026	110-034-181	110-034-181
OME007	600	359	E4004	110-034-003	N/A	E4003	110-034-003	N/A
OME013	473	292	E4001	110-034-065	OMEB14	E4001	110-034-065	OMEB14
OME014	495	305	E4001	110-034-065	OMEB14	E4001	110-034-065	OMEB14
OME015	415	256	P4175	SMP333	OMEB13	E4001	110-034-065	OMEB14
OME018	585	359	E4003	110-034-003	N/A	E4003	110-034-003	N/A
OME023	429	270	E4001	110-034-065	OMEB14	E4001	110-034-065	OMEB14
OME025	415	256	P4175	SMP333	OMEB13	E4001	110-034-065	OMEB14
OME027	497	297	P4175	SMP333	OMEB13	E4001	110-034-065	OMEB14
OME028	450	281	P4169	SMP474	OMEB13	E4028-S	110-110-009	N/A
OME029	502	314	E4028-S	110-110-009	N/A	E4028-S	110-110-009	N/A
OME030	470	302	E4028-S	110-110-009	N/A	E4028-S	110-110-009	N/A
OME031	627	379	P4175	SMP333	OMEB13	E4001	110-034-065	OMEB14
OME032	608	369	P4175	SMP333	OMEB13	E4001	110-034-065	OMEB14
OME033	615	382	P-	SMP636	OMEB13	E4005-S	110-034-072	OMEB17
OME034	481	284	P4175	SMP333	OMEB13	E4001	110-034-065	OMEB14
OME035	495	299	E4001	110-034-065	OMEB14	E4001	110-034-065	OMEB14

Note: Bush kits with part numbers starting with SMP indicate the kits have the urethane bush, mounting nut & washers.

See page 107 for legend of mount types

SPECIFICATIONS

SHOCK ABSORBER MOUNT TYPES

Mount Type Pin Part No.	Dimensions (mm) Thread Length X Dia	OME Replacement Part No.
P4161	62 x M10 x 1.5	OMEB13
P4169	53 x M10 x 1.25	OMEB13
P4170	73 x M10 x 1.5	OMEB13
P4175	58 x M10 x 1.5	OMEB13
P4184	71 x M12 x 1.25	OMEB42
P4203	85 x M14 x 1.5	Use original
P4204	77 x M14 x 1.5	Use original
P4205	54 x M10 x 1.25	OMEB13

Mount Type Eye Part No.	Dimensions (mm) OD x ID x L	Mounting Kit Replacement Part No.
E4001	37 x 25.3 x 24.3	OMEB14
E4003	42.6 x 37.7 x 19.5	Not available
E4005	44.2 x 31.7 x 30	OMEB36 *OMEB40
E4026	37 x 27 x 25	OMEB10
E4028	38.4 x 25.1 x 23	Not available
E4032	46.7 x 36.6 x 33	Not available
E4040	46 x 37 x 30	Not available
E4050	45 x 39 x 35	Not available
E4055	50 x 40.2 x 34	Not available
E4057	42 x 32.5 x 29	Not available

T-CROSS PIN MOUNTING

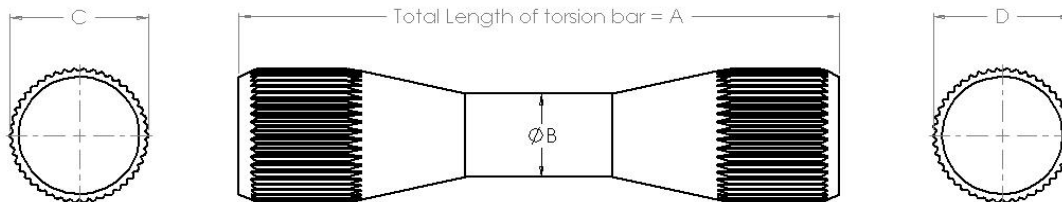
B-BONDED BUSH

S-BUSH WITH SLEEVE

*Special Bush for N22F, N29/N29C Lower Rear Mount

SPECIFICATIONS

TORSION BARS



Part Number	A ± 2.0	B ± 0.15	C +0 -0.2	C Spline No.	D +0 -0.2	D Spline No.
303001	1160	30.4	47.0	46	47.0	46
303002	1210	32.8	47.0	46	47.0	46
303003	1065	23.4	33.0	43	30.75	40
303004	1000	24.5	33.0	43	33.0	43
303005	925	25.7	30.8	40	30.75	40
303006	1365	27.5	30.0	39	30.75	40
303007	890	26.7	30.0	39	30.0	39
303008	1205	26.0	30.0	39	30.0	39
303009	1277.5	25.5	30.0	39	30.75	40
303010	1277.5	27.3	30.0	39	30.75	40
303011	1307.5	27.5	30.0	39	30.75	40
303012	1142	26.0	36.0	47	36.0	47
303013	1024	27.0	30.8	40	30.75	40
303014	1225	30.3	37.9	6 side hex	37.85	6 side hex

All dimensions in millimetres (mm)

SPECIFICATIONS

LEAF SPRINGS

Dakar Part No.	OME Part No.	Stack Height (mm)	No. of Leaves	Eye Dia. mm		Weight (kg)	Primary Free Camber mm	Spring Rate	
				Front	Rear			lbf/in	N/mm
CS001F	OME13	48.0	8	35.0	35.0	23.0	165	350	61.3
CS001R	OME14	43.0	5 + 1	35.0	35.0	21.5	225	300 / 450	52.5 / 79
CS002F	OME131	54.0	9	35.0	35.0	27.0	165	398	69.8
CS002R	OME141	49.0	6 + 1	35.0	35.0	25.6	225	357 / 496	62.5 / 87
CS003F	OME110	30.0	5	35.0	35.0	15.5	200	220	38.5
CS003R	OME201	81.0	6 + 3	35.0	35.0	45.4	235	510 / 710	90 / 125
CS004F	OME11	36.0	6	35.0	35.0	17.7	196	257	45
CS004RA	OME113A	58.0	6 + 2	35.0	35.0	31.6	250	268 / 570	47.0 / 100
CS004RB	OME113B	58.0	6 + 2	35.0	35.0	31.6	230	268 / 570	47.0 / 100
CS005F	OME111	42.0	7	35.0	35.0	21.5	196	305	53.5
CS005RA	OME1131A	64.0	7 + 2	35.0	35.0	36.0	250	314 / 617	55 / 108
CS005RB	OME1131B	64.0	7 + 2	35.0	35.0	36.0	230	314 / 617	55 / 108
CS006F	OME67	43.0	7	35.0	35.0	21.6	220	302	53
CS006R	OME391	82.0	7 + 3	40.0	40.0	46.8	240	388 / 610	68 / 107
CS007F	OME671	49.0	8	35.0	35.0	25.5	220	348	61
CS007R	OME3911	89.0	8 + 3	40.0	40.0	52.2	240	455 / 600	80 / 105
CS008FA	OME99A	32.5	5	30.0	30.0	14.8	170	208	36.5
CS008FB	OME99B	32.5	5	30.0	30.0	14.8	150	208	36.5
CS008R	OME39111	96.0	9 + 3	40.0	40.0	59.5	240	500 / 656	88 / 115
CS009FA	OME91A	39.0	6	30.0	30.0	18.4	170	254	44.5
CS009FB	OME91B	39.0	6	30.0	30.0	18.4	150	254	44.5
CS009R	OME17	48.0	4 + 2	30.0	30.0	20.0	230	217 / 388	38.0 / 68.0
CS010FA	OME3A	43.0	7	32.5	32.5	18.9	215	283	49.6
CS010FB	OME3B	43.0	7	32.5	32.5	18.9	200	283	49.6
CS010R	OME171	54.5	5 + 2	30.0	30.0	24.2	230	285 / 445	50.0 / 78.0
CS011FA	OME31A	49.0	8	32.5	32.5	22.3	215	343	60
CS011FB	OME31B	49.0	8	32.5	32.5	22.3	200	343	60
CS011R	OME4	56.0	8	32.5	32.5	26.8	275	211	37
CS012FA	OMES1A	24.4	4	30.0	40.0	8.1	125	207	36.3
CS012FB	OMES1B	24.4	4	30.0	40.0	8.1	110	207	36.3
CS012R	OME41	63.0	9	32.5	32.5	30.2	275	240	42
CS013FA	N/A	30.0	5	30.0	40.0	10.4	125	247	27.9
CS013FB	N/A	30.0	5	30.0	40.0	10.4	110	247	27.9
CS013R	OME491	68.0	5 + 2	40.0	40.0	47.9	268	279 / 548	52 / 96
CS014F	OMEJ1F	26.0	4	31.4	37.6	11.0	210	148	26
+CS014R	+OME492	68.0	5 + 2	40.0	40.0	47.9	268	279 / 548	52 / 96
+CS015R	+OME493	76.0	6 + 2	40.0	40.0	51.5	268	325 / 680	57 / 119
CS016F	N/A	56.0	8	32.7	40.0	27.0	229	337	59
CS016RA	OME611A	82.0	7 + 3	40.0	40.0	50.8	250	325 / 585	57 / 103
CS016RB	OME611B	82.0	7 + 3	40.0	40.0	50.8	235	325 / 585	57 / 103
CS017RA	OME221A	48.0	8	35.0	35.0	25.5	250	255	44.7
CS017RB	OME221B	48.0	8	35.0	35.0	25.5	230	255	44.7
CS018F	N/A	58.0	7	51.5	41.5	37.7	202	431	75.5
*CS018R	*OME180	52.5	3 + 3	39.0	30.0	25.0	215	125 / 485	22 / 85
CS019R	OME18	52.5	3 + 3	39.0	30.0	27.3	235	125 / 485	22 / 85
CS020R	OME181	59.0	4 + 3	39.5	30.0	30.6	235	160 / 540	28 / 95

cont.

* These springs have a 20mm lower 2nd Stage than other springs in the series.

+ These springs have a 20mm higher 2nd stage than other springs in this series

SPECIFICATIONS

LEAF SPRINGS

Dakar Part No.	OME Part No.	Stack Height (mm)	No. of Leaves	Eye Dia. mm		Weight (kg)	Primary Free Camber mm	Spring Rate	
				Front	Rear			lbf/in	N/mm
CS021R	OME1811	65.5	5 + 3	39.0	30.0	31.0	235	274 / 571	48 / 100
CS022R	OME22	41.0	5 + 1	31.5	27.5	22.0	195	194 / 388	34.0 / 68.0
+CS023R	+OME222	58.0	6 + 2	31.5	27.5	29.5	195	230 / 570	41 / 100
CS026R	OME26	59.0	4 + 3	32.7	32.7	26.3	164	177 / 616	31 / 108
CS027R	OME261	65.5	5 + 3	32.7	32.7	30.1	164	217 / 662	38 / 116
CS028R	OMEROD11	48.0	4 + 2	39.0	30.0	22.5	250	170 / 457	30 / 80
+CS029R	+OMEROD111	60.5	4 + 3	39.0	30.0	25.4	250	216 / 616	38 / 108
CS030R	OMENN1	52.5	3 + 3	40.0	32.5	22.1	170	126 / 531	22 / 93
CS031R	OMENN11	59.0	4 + 3	40.0	32.5	25.5	170	165 / 571	29 / 100
*CS032R	*OMENN2	52.5	3 + 3	40.0	32.5	22.1	170	126 / 411	22 / 72
CS034RA	OMEJC1A	32.5	5	62.0	43.5	18.2	230	148	26
CS034RB	OMEJC1B	32.5	5	62.0	43.5	18.2	205	148	26
CS035RA	OMEJC2A	37.0	4 + 1	62.0	43.5	20.9	235	137 / 257	24 / 45
CS035RB	OMEJC2B	37.0	4 + 1	62.0	43.5	20.9	210	137 / 257	24 / 45
CS036R	OMEJ1R	32.5	5	37.6	31.4	13.7	205	188	33
CS037R	OMEJ2R	32.5	5	37.0	31.0	13.8	185	188	33
CS038R	OMES2	36.0	3 + 2	40.0	30.0	9.8	175	171 / 291	30 / 51
CS039R	OMES21	42.0	4 + 2	40.0	30.0	12.3	175	228 / 348	40 / 61
CS040R	OME19	29.0	3 + 1	31.5	27.5	16.4	211	148 / 245	26 / 43
CS041R	OME191	35.0	4 + 1	31.5	27.5	16.4	211	200 / 296	35 / 52
CS042R	OME36	45.0	4 + 1	46.8	31.0	28.0	210	228 / 310	40 / 55
CS043R	N/A	50.0	4 + 2	40.0	30.0	24.0	194	170 / 340	30 / 60
CS043R-15	N/A	50.0	4 + 2	40.0	30.0	24.0	179	170 / 340	30 / 60
CS044R	N/A	50.0	4 + 2	40.0	30.0	24.0	204	170 / 340	30 / 60
+CS045R	N/A	57.0	5 + 2	40.0	30.0	27.5	204	204 / 361	35.8 / 63.8
CS046RA	OME15A	52.0	5 + 2	40.5	30.0	26.7	222	114 / 194	20 / 34
CS046RB	OME15B	52.0	5 + 2	40.5	30.0	26.7	209	114 / 194	20 / 34
CS047R	N/A	57.0	5 + 2	40.0	40.0	32.4	207	182 / 392	32 / 69
CS048R	N/A	50.0	3 + 2	40.0	40.0	32.5	275	225 / 416	39 / 73
CS049R	N/A	45.0	4 + 1	40.0	32.7	25.0	173	212 / 450	37 / 79
CS050R / CS150R	N/A	59.0	4 + 2	40.0	33.4	30.9	177	192 / 481	34 / 84
CS051R / CS151R	N/A	67.0	5 + 2	40.0	33.4	36.3	177	244 / 535	43 / 94
CS053R	N/A	35.0	4 + 1	31.5	27.5	20.3	193	166 / 321	29 / 56
CS054R	N/A	41.0	5 + 1	30.0	27.5	24.3	193	209 / 365	37 / 64
CS055R	N/A	65.0	4 + 2	40.0	40.0	36.5	190	205 / 330	36 / 58
CS056R	N/A	37.0	3 + 1	40.0	32.7	20.0	173	147 / 371	26 / 65
CS057R	N/A	59.0	4 + 2	40.0	40.0	36.6	225	234 / 627	41 / 110
CS058R	N/A	66.0	5 + 2	40.0	40.0	42.8	225	300 / 694	53 / 122
CS059R	N/A	55.0	4 + 1	51.0	43.0	22.9	265	242 / 338	43 / 59
CS060R	N/A	70.0	5 + 2	40.0	32.7	33.1	138	277 / 608	49 / 107
CS061R	N/A	58.0	4 + 2	40.0	32.7	24.9	208	186 / 352	32.7 / 61.7
CS062R	N/A	60.0	5 + 2	39.0	30.0	26.0	223	215 / 459	38 / 80
CS063R	N/A	64.0	5 + 2	39.0	30.0	28.0	226	294 / 610	52 / 107
CS064R	N/A	58.0	4 + 2	60.0	46.0	39.2	266	169 / 445	30 / 78
CS065R	N/A	69.0	5 + 2	60.0	46.0	48.2	266	267 / 582	47 / 102

Free Camber is measured from top of eye (not centre line) to main leaf at centre bolt. Allow 3mm tolerance either side.

- * These springs have a 20mm lower 2nd Stage than other springs in the series.
- + These springs have a 20mm higher 2nd stage than other springs in this series

SPECIFICATIONS

COIL SPRINGS

Spring Number	X5K Steel	Bar Dia. mm	Free Height mm		Number Of Turns	Coil weight Kg	Spring Rate		OE Spring Rate Lbs
			A	B			lbf / in	N / mm	
2105	X	19	475	485	9.0	8.5	350	61	160
2106	X	21	460	470	8.3	11.3	400 / 440	70 / 77	170
2412	X	17	460	445	8.0	6.1	250	44	200
2413	X	17	485	470	8.0	6.1	250	44	200
2414	X	18	510	495	9.5	8.3	250	44	200
2415	X	19	510	495	7.7	8.5	290	51	180
2416	X	19	535	520	7.7	8.5	290	51	180
2417	X	19.5	560	545	8.3	9.9	290	51	180
2418	X	18	505	515	9.0	7.5	300	52	160
2419	X	18	530	540	9.0	7.5	300	52	160
2420	X	19	555	565	10.8	10.0	300	52	160
2421	X	19	480	490	7.7	8.5	280	49	170
2422	X	19	505	515	7.7	8.5	280	49	170
2423	X	19.5	530	540	8.3	9.9	280	49	170
2500	X	14.5	385	385	5.4	3.4	155	27	130
2501	X	15	350	350	7.3	4.3	175	31	130
2502	X	16	350	350	6.0	4.3	245	43	130
2503	X	15	342	342	7.0	4.1	185	32	130
2504	X	14.5	355	355	5.4	3.4	155	27	130
2505	X	15	330	330	7.3	4.3	175	31	130
2506	X	15	330	330	5.1	3.4	180	32	130
2507	X	15	338	338	5.1	3.5	180	32	160
2508	X	15	315	315	5.6	3.6	180	32	160
2509	X	17	360	360	5.4	4.7	250	44	200
2510	X	15	360	360	7.2	4.1	180	32	140
2511	X	13.5	345	345	6.6	2.8	190	33	160
2512	X	17.5	305	305	6.3	4.1	500	88	420
2513	X	14.5	345	345	6.6	3.3	250	44	200
2516	X	16	270	270	4.7	3.5	260	46	200
2517	X	16	280	280	4.7	3.5	260	46	200
2518	X	14.5	325	325	8.6	3.4	340	60	280
2519	X	15.5	355	355	5.7	4.1	190	33	140
2520	X	15	360	360	6.6	3.9	180	32	150
2523	X	16	300	300	8.0	4.1	500	88	440
2524	X	15	255	255	5.7	2.8	200	35	160
2525	X	15	340	340	5.8	3.8	215	38	160
2526	X	14.5	385	385	6.3	3.5	190	33	150
2527	X	19	385	385	5.0	6.5	240	42	180
2528	X	16	310	310	5.5	3.5	310	54	260
2529	X	14.5	375	375	7.5	3.6	230	40	180
2530	X	16	335	335	7.3	4.2	350	61	300
2531	X	14	315	315	6.5	3.0	230	40	190
2532	X	12	310	310	7.8	2.4	140	25	100
2533	X	16	450	450	11.0	5.3	355	62	260
2534	X	17	360	360	7.4	5.1	330	58	280
2535	X	14	370	370	7.5	3.3	200	35	160
2536	X	17	265	260	6.5	3.9	650	114	450
2538	X	17	265	260	6.5	3.9	650	114	450
2539	X	13.5	345	345	5.9	2.7	180	32	150
2540	X	16	300	300	7.0	3.7	420	74	350
2601	X	18	350	350	8.4	5.5	650	114	540
2602	X	16	392	392	8.2	5.6	180	32	150
2603	X	17	410	410	7.0	6.4	188	33	140
2604	X	17	400	400	6.0	5.5	227	38	140
2605	X	18	315	315	7.8	5.1	730	128	680

cont.

SPECIFICATIONS

COIL SPRINGS

Spring Number	X5K Steel	Bar Dia. mm	Free Height mm		Number Of Turns	Coil weight Kg	Spring Rate		OE Spring Rate Lbs
			A	B			lbf / in	N / mm	
2606	X	18	320	320	7.8	5.1	730	128	680
2607	X	16.5	370	370	9.5	5.3	480	84	450
2608	X	16.5	380	380	9.5	5.3	480	84	450
2609	X	19	440	440	8.0	7.8	390	68	330
2610	X	20	430	430	8.0	8.7	460	81	330
2611	X	18	310	310	7.8	5.1	730	128	680
2612	X	20	415	415	11.0	8.9	740	130	680
2613	X	20	435	435	11.0	8.9	740	130	680
2614	X	20	425	425	11.0	8.9	740	130	680
2615	X	13	510	510	10.0	3.7	120	21	120
2616	X	14	490	490	10.5	4.6	135	24	120
2617	X	15	430	430	7.0	4.1	160	28	100
2618	X	16	435	435	7.8	5.3	175	31	100
2619	X	14	515	515	10.5	4.6	135	24	120
2620	X	15	450	450	9.0	4.5	200	35	120
2621	X	14	520	520	9.6	4.1	150	26	120
2622	X	14.5	375	375	7.0	3.6	210	37	160
2623	X	15	375	375	6.1	3.8	200	35	160
2624	X	15	365	365	6.1	3.8	200	35	160
2625	X	17	345	345	8.5	4.8	540	95	460
2626	X	13	500	500	10.0	3.7	120	21	120
2627	X	14	475	475	10.5	4.6	135	24	120
2628	X	14	505	505	10.5	4.6	135	24	120
2629	X	14	505	505	9.6	4.1	150	26	120
2630	X	15	405	405	7.0	4.1	160	28	100
2640	X	17.5	305	305	7.4	4.5	730	128	670
2641	X	18	310	310	7.4	4.8	790	139	670
2700	X	18	420	420	8.8	5.7	625	109	500
2701	X	19	425	425	9.5	6.9	720	126	500
2702	X	18.5	430	430	9.5	6.6	625	109	500
2703	X	19	435	435	9.5	6.9	720	126	500
2704	X	18	410	410	8.8	6.6	625	109	500
2705	X	19	415	415	9.5	6.9	720	126	500
2720	X	18.5	420	410	8.4	8.8	270 / 350	47 / 61	170
2721	X	18.5	440	430	8.4	8.8	270 / 350	47 / 61	170
2722	X	19	440	430	7.2	8.0	275	48	170
2723	X	20	450	440	7.2	8.9	340	59	170
2724	X	21	445	435	7.2	9.8	400	70	170
2725	X	22	445	435	7.7	11.6	440	77	170
2730	X	15.5	315	315	5.4	3.5	240	42	200
2731	X	15.5	300	300	5.0	3.1	280	49	200
2743	X	21	360	360	8.6	8.7	800	140	600
2744	X	18	400	400	9.7	6.5	530	93	480
2745	X	19	390	390	9.7	7.2	670	117	480
2746	X	20	370	370	8.6	7.9	680	119	600
2751	X	15	390	380	6.6	3.9	225	39	200
2752	X	17	440	440	9.0	7.7	175-200	31 / 35	200
2754	X	20	435	435	6.9	8.3	420	74	240
2755	X	18	435	435	6.8	6.5	300	52	240
2760	X	15	395	385	9.0	5.2	180 / 250	32 / 44	160
2761	X	15	400	390	7.5	4.4	200	35	160
2762	X	17.5	420	410	8.6	7.0	300-340	52 / 60	170
2763	X	18	420	410	7.8	6.7	360	63	200
2764	X	16	430	420	8.0	5.4	220	39	200
2766	X	16	420	420	7.5	5.0	250	44	220

cont.

SPECIFICATIONS

COIL SPRINGS

Spring Number	X5K Steel	Bar Dia. mm	Free Height mm		Number Of Turns	Coil weight Kg	Spring Rate		OE Spring Rate Lbs
			A	B			lbf / in	N / mm	
2767	X	16	385	375	6.7	4.5	285	50	200
2768	X	20	560	560	11.0	10.3	450	79	220
2770	X	16	480	470	10.0	6.5	260	45	160
2776	X	14	410	390	7.0	3.6	160	28	150
2777	X	14.5	395	375	7.2	4.0	180	32	150
2779	X	15.5	385	375	7.3	4.6	225	39	150
2780	X	18.5	470	460	8.7	9.0	250 / 340	43 / 59	160
2781	X	17	425	415	7.7	5.9	290	51	160
2790	X	17	378	378	9.4	5.2	500	87	400
2791	X	16	280	280	7.3	3.9	410	72	380
2792	X	14	435	435	9.3	4.1	155	27	130
2793	X	15	350	350	5.2	3.7	165	29	120
2794	X	16	260	255	7.3	4.2	420	73	330
2795	X	16	285	285	6.0	4.0	360	63	330
2796	X	16	255	250	7.3	4.2	420	73	330
2797	X	13	350	350	10.0	2.7	340	59	300
2798	X	13	400	400	10.2	3.2	210	36	180
2799	X	16	353	353	5.5	4.5	200	35	150
2802	X	16	445	445	11.3	5.9	320	56	205
2803	X	16	465	465	10.7	5.5	340	59	205
2838	X	18	420	410	7.5	7.7	205 / 290	36 / 51	160
2850	X	16.5	495	505	9.0	6.2	220	38	160
2850J	X	17	515	525	9.9	7.3	220	38	160
2851	X	16	475	485	8.2	5.3	220	38	160
2853	X	16.5	485	485	10.1	6.2	275	48	160
2856	X	16	465	465	10.0	5.3	230	40	210
2859	X	16	470	470	9.3	5.3	275	48	210
2860	X	17	480	490	6.9	6.0	220	38	170
2861	X	16	480	490	10.4	6.8	220	38	160
2862	X	17	460	470	9.0	7.8	240	42	160
2863	X	18	480	490	7.0	6.9	250	43	170
2863J	X	18.5	505	515	7.7	9.2	265	46	170
2864	X	19	480	490	7.2	7.8	320	56	170
2865	X	17	460	460	6.9	6.0	220	38	170
2866	X	18	465	465	9.0	8.8	240 / 300	42 / 52	170
2868	X	20	480	490	7.2	8.8	360	63	170
2870	X	14	370	355	8.5	3.6	220	38	160
2871	X	16	410	400	7.3	4.9	220	38	160
2872	X	14	400	400	9.0	3.9	190	33	160
2873	X	16	455	455	8.3	5.6	200	35	160
2874	X	15	408	408	9.0	4.5	220	38	160
2875	X	17	440	440	8.3	6.4	240	42	170
2876	X	14	390	375	8.5	3.6	200	35	160
2880	X	16	365	365	10.2	4.7	500	87	490
2881	X	16	375	375	10.2	4.7	500	87	490
2882	X	16.5	395	395	11.1	5.3	500	87	490
2883	X	16.5	375	375	9.8	4.7	590	103	500
2884	X	16.5	390	390	9.8	4.7	590	103	500
2885	X	16.5	395	395	9.8	4.7	590	103	500
2886	X	17.5	402	402	10.6	5.9	660	115	590
2887	X	16.5	400	400	9.8	4.7	590	103	500
2888	X	16.5	405	405	9.8	4.7	590	103	500
2889	X	16.5	400	400	6.2	4.6	260	45	150
2890	X	14.5	440	430	9.7	5.0	190	33	150
2891	X	15.5	425	415	9.5	5.6	210	37	150

cont.

SPECIFICATIONS

COIL SPRINGS

Spring Number	X5K Steel	Bar Dia. mm	Free Height mm		Number Of Turns	Coil weight Kg	Spring Rate		OE Spring Rate Lbs
			A	B			lbf / in	N / mm	
2892	X	17	400	390	8.9	6.4	380	67	150
2895	X	16.5	390	390	6.2	4.6	260	45	150
2895E	X	17	375	375	6.8	5.4	260	45	150
2896	X	18	390	390	6.8	6.1	318	56	150
2897	X	19	390	390	6.8	6.9	387	68	150
2898	X	18	400	400	6.8	6.1	318	56	150
2899	X	19	400	400	6.8	6.9	387	68	150
2900	X	15	405	395	6.4	4.1	180	32	140
2901	X	16	395	385	6.3	4.6	220	38	140
2902	X	18	340	340	8.4	5.5	650	114	560
2903	X	16	380	380	7.3	5.0	210	37	160
2904	X	15	410	410	6.8	4.2	170	30	140
2905	X	17	313	313	6.0	4.6	360	63	300
2906	X	15	390	380	9.0	5.0	220	38	160
2907	X	17	370	370	5.3	5.0	213	37	160
2908	X	16	295	295	7.3	4.2	368	64	300
2910	X	17	400	390	7.5	6.9	150 / 260	26 / 45	160
2911	X	16	400	390	7.5	6.0	140 / 230	24 / 40	160
2912	X	15	420	420	10.8	5.7	180 / 300	31 / 52	160
2913	X	15	390	390	9.3	4.9	180 / 300	31 / 52	160
2914	X	18	330	330	8.1	5.5	650	114	580
2915	X	18	345	345	8.1	5.5	650	114	580
2917	X	21	345	335	7.3	8.4	700 / 900	112 / 158	650
2918	X	22	338	328	7.3	9.3	860 / 1000	151 / 175	650
2919	X	15	430	430	10.8	5.7	200 / 280	35 / 49	160
2920	X	14	430	430	8.0	3.7	190	33	160
2921	X	16	385	385	6.8	5.2	200	35	150
2922	X	14	360	360	6.1	3.3	140	25	120
2923	X	16	395	395	6.8	5.2	200	35	150
2924	X	19	340	340	8.1	6.2	790	138	580
2925	X	16	385	385	10.8	5.2	375	66	320
2926	X	16	392	392	10.8	5.2	375	66	320
2927	X	16	394	394	10.3	5.0	400	70	320
2928	X	16	410	410	6.8	5.3	200	35	150
2929	X	16	420	420	10.8	6.5	240 / 300	42 / 53	180
2930	X	14	475	465	9.8	4.2	162	28	140
2931	X	14	510	500	11.9	5.1	140	25	140
2932	X	14	480	470	11.2	4.8	140	25	140
2933	X	14	495	485	11.2	4.8	140	25	140
2934	X	14	510	500	10.0	4.3	160	28	140
2935	X	14	420	410	9.8	4.1	180	32	140
2936	X	15	420	410	10.0	4.8	220	39	170
2937	X	15	400	400	7.3	4.1	220	39	170
2938	X	18	400	390	7.5	7.7	205 / 290	36 / 51	160
2940	X	14	380	370	8.6	3.7	190	33	140
2941	X	15	390	375	7.2	4.4	140	25	140
2942	X	15.5	380	365	6.6	4.2	160	28	140
2943	X	15	370	360	8.6	4.3	230	40	150
2944	X	15	395	385	8.0	4.4	190	33	165
2945	X	16	350	340	7.5	4.7	240	42	170
2947	X	16	340	340	5.8	4.4	170	30	150
2948	X	16	340	340	5.6	4.2	200	35	150
2949	X	17	370	355	7.1	5.6	216	38	160
2950	X	16	300	300	8.5	4.0	540	95	420
2951	X	15	290	290	8.5	3.5	440	77	420

cont.

SPECIFICATIONS

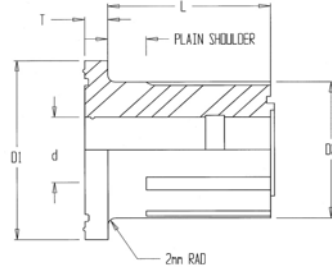
COIL SPRINGS

Spring Number	X5K Steel	Bar Dia. mm	Free Height mm		Number Of Turns	Coil weight Kg	Spring Rate		OE Spring Rate Lbs
			A	B			lbf / in	N / mm	
2952	X	11	345	345	8.3	1.8	142	25	120
2953	X	16	285	285	8.5	4.1	540	95	420
2954	X	12	340	340	8.5	2.2	180	32	140
2955	X	13	350	350	10.0	3.0	200	35	140
2956	X	16	330	330	8.5	4.2	500	88	420
2959	X	16	310	310	8.5	4.0	540	95	440
2960	X	15	300	300	8.5	3.5	440	77	410
2961	X	13	340	340	10.0	3.0	200	35	150
2962	X	16	320	320	8.5	4.0	540	95	440
2963	X	11.5	350	350	10.0	2.4	146	26	120
2965	X	11.5	365	365	10.0	2.4	146	26	120
2966	X	12	335	315	10.0	2.5	176	31	120
2967	X	12	325	325	9.0	2.4	176	31	120
2968	X	14	370	370	9.4	3.7	210	37	120
2969	X	12	360	360	9.5	2.5	170	30	150
2970	X	17	395	385	6.7	5.2	320	56	160
2971	X	17	405	395	6.7	4.5	320	56	160
2972	X	16	400	385	6.6	4.5	250	44	160
2972E	X	16	404	404	6.6	4.5	250	44	160
2973	X	16	415	400	6.6	4.5	250	44	160
2974	X	16	385	370	6.6	4.5	250	44	160
2974E	X	16	385	385	6.6	4.5	250	44	160
2975	X	16	425	410	7.5	5.0	220	39	160
2976	X	16	440	425	7.2	4.9	220	39	160
2980	X	19	490	470	9.0	10.0	250	44	200
2981	X	21	480	460	9.0	12.3	300	53	200
2982	X	19	470	450	9.0	10.0	250	44	200
2983	X	20	480	455	9.0	11.1	300 / 400	44 / 70	200
2984	X	21	480	455	9.0	12.3	360 / 450	63 / 79	200
2985	X	21	480	460	7.0	9.8	470	82	200
2990	X	18	370	370	8.9	6.3	530	93	440
2991	X	19	365	365	8.9	7.1	630	110	440
2992	X	17	355	345	7.2	5.8	240	42	190
2993	X	18	345	335	6.6	6.0	280	49	190
2994	X	21	335	325	7.3	8.4	700 / 900	123 / 158	600
2995	X	22	350	340	7.3	9.3	860 / 1000	151 / 175	600
2996	X	17.5	370	355	7.1	6.0	250	44	200
2GQ02A	X	18	465	465	9.0	9.0	200	35	180
2GQ02AM	X	18	505	490	8.7	8.7	220 / 240	39 / 42	180
2GQ02B	X	19	445	445	9.0	10.0	250 / 280	44 / 49	180
2GQ02C	X	18	480	465	9.0	9.0	200	35	180
2GQ02CM	X	17	485	470	9.0	7.9	170-190	30 / 33	180
2GQ02D	X	18	480	480	9.0	9.0	200	35	180
2GQ02G	X	19	475	460	9.0	10.0	220 / 350	39 / 61	180
2GQ02J	X	20	480	465	9.0	11.1	280 / 310	49 / 54	180
2GQ02LP	X	19	475	445	9.0	10.0	250 / 280	44 / 49	180

X5K MICRO-ALLOYED SPRING STEEL is a new generation high strength spring steel grade designed to withstand higher operating stresses with superior resistance to sag and improved toughness and corrosion fatigue properties. These properties are enhanced by additions of Silicon, Chromium, Vanadium Nickel along with lower Carbon than conventional spring steel grades.

SPECIFICATIONS

OLD MAN EMU POLYURETHANE SPRING BUSH DIMENSIONS



Dimensions						
Part No.	D1	D2	d	T	L	Number of Splines
PT229	32.0	24.9	15.0	4.5	35.0	9
PT230	32.0	24.9	15.0	3.0	35.0	9
PT231	36.0	30.0	18.0	3.6	30.0	9
PT231A	38.0	30.0	18.0	4.0	35.0	9
PT240	36.0	30.0	18.0	4.0	48.0	9
PT260	45.0	35.0	18.0	5.5	35.0	11
PT261	45.0	35.0	15.0	4.0	35.0	9
PT270	50.0	40.0	18.0	5.4	35.0	13
PT280	44.0	32.7	18.0	5.2	43.0	11
PT281	44.0	32.7	18.0	4.5	30.0	11
PT282	52.0	40.0	18.0	4.4	30.0	13
PT283	44.0	32.7	18.0	5.8	28.5	13
PT284	32.7	None	16.0	None	57.5	0
PT285	32.7	None	22.0	None	60.0	0
PT290	45.0	31.5	18.0	4.4	35.0	11
PT291	40.0	28.0	16.0	5.0	44.0	9
PT292	40.0	27.5	16.0	4.2	34.0	9
PT293	45.0	31.5	14.0	4.4	34.0	11
PT301	50.0	40.0	16.0	6.9	25.0	13
PT302	40.0	30.0	13.0	4.4	25.0	9
PT303	40.0	29.5	13.0	4.4	24.5	0
PT304	52.0	40.0	19.0	4.0	30.0	9
PT305	43.0	31.5	19.0	5.5	35.0	0
PT306	44.0	31.4	18.1	6.0	30.0	9
PT307	50.0	37.6	18.1	6.0	30.0	0
PT308	46.0	35.0	18.1	4.0	35.0	9
PT309	40.0	30.0	18.0	4.0	40.5	0
PT310	42.0	32.6	20.1	4.0	30.0	0
PT311	52.0	40.0	22.2	4.5	30.0	9
PT312	43.0	31.5	19.0	4.8	35.0	0
PT313	40.0	28.0	16.0	5.0	45.0	0
PT314	44.0	32.0	18.0	4.5	40.0	0
PT315	40.0	32.7	22.2	4.0	30.0	9
PT316	43.0	31.5	22.2	5.0	35.0	0
PT317	52.0	39.8	18.0	6.0	43.5	9
PT318	52.0	39.8	20.0	8.0	35.5	9
PT319	52.0	40.0	18.0	9.5	35.5	9
PT320	44.0	31.8	18.0	6.5	31.5	9
PT321	44.0	31.8	18.0	4.3	32.7	9
PT322	40.0	32.0	18.0	4.0	45.5	9
PT323	40.0	30.0	18.0	4.5	35.5	9
PT324	42.0	33.0	19.0	4.0	30.0	9
PT325	42.0	33.0	19.0	4.0	44.5	9
PT326	42.0	33.0	20.1	4.0	30.0	9
PT328	39.0	30.0	19.0	4.0	30.0	9
PT329	39.0	30.0	19.0	4.0	44.5	9
PT330	54.0	39.5	19.0	6.0	30.0	9
PT331	42.0	33.0	20.1	4.0	44.5	9

APPLICATIONS

NUMERICAL SPRING & SHOCK BUSH

Kit No.	Component Description	Qty	To Fit
OMESB1	spring bush PT260	6	Toyota 35mm spring eye, 18mm pin OE & OME Series F/H/B, J/ZJ: 75, 74, 73, 70, 60, 47, 45, 42, 40 Nissan GQ Patrol leaf spring models OME only
OMESB2	spring bush PT280 spring bush PT281	2 2	Nissan MQ Patrol all models - rear OE spring
OMESB3	spring bush PT282	2	Nissan MQ Patrol round headlight models-front OE spring eye
OMESB4	spring bush PT230 spring bush PT229	4 2	OBSOLETE
OMESB5	spring bush PT240 spring bush PT231	2 4	Toyota HiLux all models (except IFS front)
OMESB6	spring bush PT231	6	Toyota HiLux all models (except SR5 & extra cab rear)
OMESB7	OBSOLETE	6	Toyota FJ55 all models front & rear, 45 Series Rear only OE springs 30mm eye
OMESB8	spring bush PT290 spring bush PT291 spring bush PT292	2 2 2	Mitsubishi Pajero leaf spring models & L200 models
OMEB9	shock bush SP1178 / 19	4	Small eye bush with 19mm bore
OMEB10	shock bush SP056 (cotton reel type)	2	Small eye shock mount
OMEB11	shock bush OME066 / 16	4	Converts large eye 19mm bore to a 16mm bore
OMEB12	OBSOLETE	4	Pin 12 x 60 replacement bush
OMEB13	shock bush SP091	4	Pin 10 x 60 replacement bush
OMEB14	shock bush OME1178 / 16	4	Small eye with 16mm bore
OMEB15	shock bush OME066 / 19	4	Large eye with 19mm bore
OMESB16	spring bush PT270	6	40mm spring eye for Toyota 75 series rear springs
OMEB17	shock bush OME066 / 22 sleeve B17S 22 x 16 x 33	2 2	Large eye tapered bush with sleeve
OMEB18	OBSOLETE	2 2	Converts small eye bush to suit 19mm bore with sleeves
OMESB19	spring bush PT301 spring bush PT302 sleeve B19S 16 x 13 x 65	2 4 1	Suzuki Sierra all models except LJ50 front & rear springs
OMESB20	spring bush PT229	6	Toyota LandCruiser 40 series 25mm OE spring front & rear. Toyota 45 series OE front spring only 25mm eye.
OMESB25	spring bush PT301 spring bush PT302 spring bush PT303 sleeve 16 x 13 x 65	2 2 2 1	Suzuki LJ50 front & rear
OMEB27	sleeve 16 x 13.2 x 33	2	N41 & N81 being converted for fitment to CJ Jeep and Cherokee wagon 83 on front bottom mount. Mahindra front & rear bottom mount.
OMESB28	spring bush PT284	2	Nissan MQ Patrol early model (round headlights) - front spring, front eye (to be fitted with OMESB29)
OMESB29	spring bush PT285 & sleeve	1	Nissan MQ Patrol all models - front spring, rear eye (to be fitted with OMESB28)

cont.

NUMERICAL SPRING & SHOCK BUSH

Kit No.	Component Description	Qty	To Fit
OMESB30	spring bush PT261	4	Toyota LandCruiser 45/47 series front spring with 35mm spring eye and hanger bracket with 15mm pin hole
	spring bush PT229	2	
OMESB31	spring bush PT283	2	Nissan MQ Patrol late model (square headlights) - front spring, front eye (to be fitted with OMESB29)
OMEB36	shock bush OME066 / 19	2	large eye 19mm bore
OMESB38	spring bush PT292	2	All Triton to 1997 and L200 - rear - suits OME springs only
	spring bush PT291	2	
	spring bush PT305	2	
	sleeve 19 x 14.2 x 81	1	
OMEB40	shock bush OME 066-19MGQ	2	N101, N22F & N29 Patrol GQ lower mount - rear shock
OMEB42	shock bush 305IY	8	pin 14 x 70 replacement
OMESB43	spring bush PT304	2	Toyota HiLux IFS extra cab & SR5 dual cab models being fitted with OME18 series spring
	spring bush PT309	2	
	spring bush PT231	2	
	sleeve 19 x 14.1 x 68	1	
OMESB57	spring bush PT306	4	Jeep Wrangler - front & rear to suit OE shackles
	spring bush PT307	2	
	sleeve 19 x 15 x 73	1	
OMESB64	PT270 spring bush	4	Nissan Patrol GQ leaf spring cab chassis OME spring - rear
	PT260 spring bush	2	
OMESB75	OBSOLETE	2	Land Rover series III 88" & 109" spring & shackle bushes OE replacement - front
		4	
		1	
		2	
OMESB76	OBSOLETE	6	Land Rover series III 88" & 109" spring & shackle bushes OE replacement - rear
		3	
OMEB77	OBSOLETE	4	Land Rover series III 88" & 109" lower shock bush- rear
OMEB78	OBSOLETE	4	Pin 10 x 60mm steering stabiliser mount
OMESB79	spring bush PT308	4	LandCruiser F/HJ45, 47 LWB models - OME spring
	spring bush PT231A	2	
OMESB80	spring bush PT304	2	Holden / Isuzu Rodeo 1 tonne rear spring to suit OE & OME springs
	spring bush PT231	4	
	sleeve 19 x 14 x 68	1	
OMESB81	spring bush PT310	4	Nissan Navara 1 tonne rear spring to suit OE & OME springs
	spring bush PT311	2	
	sleeve 22 x 18 x 70	1	
OMESB82	spring bush PT281	2	Mazda / Ford 1 Tonne 4x4 1987 on rear spring OME only
	spring bush PT314	2	
	spring bush PT315	2	
	sleeve 22 x 17 x 68	1	
OMESB83	spring bush PT291	2	Mitsubishi Challenger / Montero rear spring to suit OME19 only
	spring bush PT292	2	
	spring bush PT316	2	
	sleeve 22 x 16 x 80	1	
OMESB84	spring bush PT317	2	Toyota LandCruiser 79 Series cab chassis & utility model only suit OME springs only
	spring bush PT318	4	
	sleeve 20 x 14 x 86	2	

cont.

APPLICATIONS

NUMERICAL SPRING & SHOCK BUSH

Kit No.	Component Description	Qty	To Fit
OMESB85	spring bush PT270	4	Toyota LandCruiser 78 & 79 Series must be used with OME springs & greasable shackle kit only
	spring bush PT317	2	
OMESB86	spring bush PT327	2	Toyota LandCruiser 76 & 78 Series Rear suit OME springs with OE shackles.
	spring bush PT318	2	
	spring bush PT319	2	
	sleeve 20 x 14 x 86	1	
OMESB87	spring bush PT307	2	Jeep YJ Wrangler front and rear Use only with greasable shackle OMEGS11
	spring bush PT320	2	
	spring bush PT321	2	
	sleeve 19 x 15 x 73	1	
OMESB88	spring bush PT322	2	Toyota Tacoma rear shackle bushes only Use with OME springs
	spring bush PT323	2	
OMESB89	spring bush PT322	2	Toyota Tacoma rear shackle bushes for OEM shackles
	spring bush PT323	2	
	sleeve 18 x 14 x 69	1	
OMESB90	spring bush PT231	4	Holden/Isuzu Jackaroo Trooper 1982-92 rear OME spring
	spring bush PT282	2	
OMESB91	spring bush PT310	2	Nissan Navara D22 model - rear spring to suit OE & OME springs
	spring bush PT311	2	
	spring bush PT326	2	
	sleeve 22 x 18 x 70	1	
OMESB95	spring bush PT326	2	Nissan D40 Navara suits OE shackle kit only
	spring bush PT331	2	
OMESB96	spring bush PT324	2	Nissan D40 Navara suits OME greasable shackle kit only
	spring bush PT325	2	
OMESB97	spring bush PT281	2	Mazda BT50 / Ford Ranger 2006 on
	spring bush PT314	2	
	spring bush PT333	2	
	sleeve 191472	1	
OMESB98	spring bush PT328	2	Toyota HiLux 2005 on to suit OE & OME springs
	spring bush PT329	2	
	spring bush PT330	2	
	sleeve 19 x 14 x 72	1	
OMESB99	spring bush PT282	2	Nissan Navara D40 suits original shackle kit only.
	spring bush PT326	2	
	spring bush PT331	2	
	sleeve 18 x 14 x 69	1	
OMESB100	spring bush PT282	2	Nissan Navara D40 suits OME greasable shackle kit: OMEGS15.
	spring bush PT324	2	
	spring bush PT325	2	
	sleeve 18 x 14 x 69	1	

SPECIFICATIONS

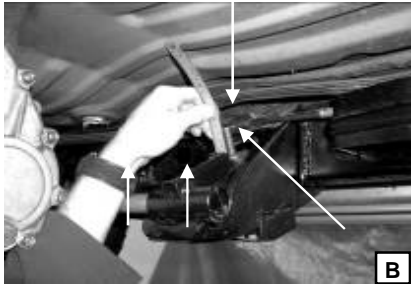
STEERING STABILISERS

Part Number	Upper Mount Type (mm)	Lower Mount Type (mm)	Open Length (mm)	Closed Length (mm)	Mounting Kit No.	No. of Kits	OME Bush Kit
OMESD01	Eye with Bush	Eye with Bush	552	342	142995	1	
OMESD02	Eye with Bush & Sleeve	Eye with Bush & Sleeve	655	394	No Kit		
OMESD11	Pin 60 x 9.5	Pin 60 x 9.5	516	308	140276	1	
OMESD16	Pin 60 x 9.5	Pin 60 x 9.5	535	314	140276	1	
OMESD17	Eye with Bush	Eye with Bush	622	373	142387	1	
OMESD21	Pin 60 x 9.5	Eye with Bush	542	340	140504	1	
OMESD22	Eye with Bush	Eye with Bush	537	328	No Kit		OMEB14
OMESD23	Eye with Bush	Eye with Bush	454	316	142995	1	
OMESD24	Eye with Bush	Eye with Bush	651	417	142995	1	
OMESD30	Eye with Bush & Sleeve	Eye with Bush & Sleeve	448	290	No Kit		
OMESD31	Eye with Bush & Sleeve	Eye with Bush & Sleeve	577	392	No Kit		
OMESD32	Pin 60 x 9.5	Eye with Bush & Sleeve	680	440	500555	1	
OMESD33	Eye with Bush & Mounting Pin	Eye with Bush	611	364	140953	1	
OMESD34	Eye with Bush & Sleeve	Eye with Bush	575	347	No Kit		
OMESD35	Eye with Bush & Sleeve	Eye with Bush & Sleeve	503	311	No Kit		
OMESD36	Pin 60 x 9.5	Pin 60 x 9.5	484	289	140276	1	
OMESD40	Eye with Bush	Eye with Bush & Sleeve	499	309	500498	1	
OMESD47	Eye with Bush	Eye with Bush	750	510	142995	1	



A

ADJUSTING BOLT



B



C



D

TORSION BAR REMOVAL

1. Before removing the original Torsion bars, the vehicle's front and rear rim to guard measurements must be taken and noted down, as per image A.

Image A: Ride height is measured from the bottom of the rim to the wheel arch vertically through the centre of the hub.

2. Using either a hoist or axle stands, raise the vehicle so that the front suspension is off the ground.
3. **Image B:** After cleaning and lubricating the two adjusting bolts, in the torsion bar anchor arms, measure and note the amount of thread protruding through the lock nut.
4. Using only hand tools loosen and remove the adjusting bolts.
5. Remove torsion bar and anchor arm assembly. Slide anchor arm and dust covers (if applicable) off the torsion bars.
6. Thoroughly clean the anchor arms, adjusting bolts and dust covers.

TORSION BAR INSTALLATION

7. **Image C:** As each OME torsion bar is preset they are marked (LH) and (RH) and because of this they must only be installed as marked.

As viewed from the driver's seat:

LH -to the left hand side.

RH -to the right hand side.

8. **Image D:** Where there is a master spline on the torsion bars (shown in white) on installation they must be aligned to the anchor arms. Where the torsion bars have the same spline sizes at each end, the torsion bar can be installed with either end to the front.
9. Slide the dust cover (if applicable) over the Old Man Emu torsion bars and apply grease to all splines and threads.
10. Install the torsion bar and align the anchor arm so the adjusting bolt is just protruding through the anchor nut. If required, the torsion bar can be rotated one spline at a time to adjust the position of the anchor arm.
11. Tighten the adjusting bolts so the same amount of thread, as noted in step 3, protrudes. Install dust covers.
12. Lower the vehicle back onto its wheels and drive a short distance to settle the front suspension.

TORSION BAR ADJUSTMENT

NB - All torsion bar adjustments must be done with the vehicle raised off the ground and the front suspension hanging. Do NOT adjust the torsion bars with the vehicle wheels on the ground.

13. **Image E:** Park the vehicle on level ground and measure the vehicle's rim to guard measurements.
14. Use the torsion bar anchor arm adjusting bolt to raise or lower the vehicle's ride height, also to trim the vehicle from side to side, to the desired height.

FRONT SUSPENSION DROOP CHECK

15. To maintain good drive shaft, ball joint angles and to stop constant front suspension top out, it is important to check after adjusting the vehicle's ride height, that the vehicle has enough front wheel droop.
Generally, a vehicle must have a minimum of 50 to 70mm of downward wheel travel (droop)
16. **Image E:** Front suspension droop is checked by taking the vehicle's front rim to guard measurement, while the wheels are on the ground and noting it down.
Image F: Then raise the front until the wheels are off the ground and take another rim to guard measurement and note it down.
By subtracting the E image measurement from the F image measurement, the amount of droop will be obtained. Carry out any adjustment that may be required.
17. All vehicles will require a headlight, front end alignment, and tyre pressure check after the fitment of new torsion bars.



OLD MAN EMU
4X4 SUSPENSION BY ARB

STRUT CARTRIDGE FITMENT INSTRUCTIONS



Installation Procedure:

- 1 Using a hammer, tap the steel bump cap upward.
- 2 Remove and discard the bump cap.
- 3 Shown is the tube cutter used in these instructions. This tube cutter is available through ridgid tools (www.ridgid.com) Model No. 152. Catalog No. 31642. Capacity 1/4 - 2 5/8 (6-66mm).



- 4 Using the tube cutter, cut 20-25mm off the top of the strut tube as shown.
- 5 Remove the shaft assembly and discard.
- 6 Drain all the remaining oil from the strut tube.



- 7 Remove the paint from around the top of the strut using abrasive paper.
- 8 Thread the locking ring into the strut adaptor leaving a 3mm gap as shown.
- 9 Place the OME Cartridge into the strut tube.



- 10 Slide the adaptor and locking ring over the cartridge & strut tube.
- 11 Push the adaptor all the way down until the locking ring is resting on the cartridge.
- 12 Whilst holding down the adaptor, place 3 small tack welds evenly around the base of the adaptor

STRUT CARTRIDGE FITMENT INSTRUCTIONS



13 Small tack weld shown.



14 Remove the cartridge and locking ring.



15 Place 3 evenly spaced 20 mm welds around the adaptor.
THIS OPERATION MUST BE DONE BY A COMPETENT WELDER



16 Welded adaptor shown.



17 Paint the adaptor and welds black.



18 Add 15cc of oil to the strut tube.

Note: Oil type is not important. ie. Original oil, engine oil, gearbox oil.



19 Place the cartridge all the way into the strut then lift out to check oil level.



20 The oil level should be between 50 - 100mm up the cartridge.



21 After checking oil level; reinstall the cartridge by firmly tightening the locking ring.
The strut can now be reassembled and installed into the vehicle.

RECOMMENDED FITTING TIMES

COIL SPRINGS SYSTEMS

All Coil Spring Models (Except Land Rovers) Fitment of 4 Shock Absorbers & 4 OME coil springs	2.0 hours
Land Rover All Coil Spring Models Fitment of all the above plus additional time to remove front shock absorber towers	2.5 hours
Torsion Bar Front with Rear Coil Suspension Fitment of 4 Shock Absorbers, 2 OME coil springs & front torsion bar adjustment	2.0 hours
Coil Front with Rear Leaf Suspension Fitment of 4 Shock Absorbers, 2 OME coil springs & 2 OME Leaf springs	3.5 hours
Coil Over Front Strut with Rear Coil Suspension Fitment of 2 Shock Absorbers, 2 OME struts & 4 OME coil springs	3.0 hours
Coil over Front Strut with Leaf Rear Springs Fitment of 2 Shock Absorbers, 2 Struts, 2 Coils & 2 Leaf Springs	4.0 hours

LEAF SPRING SYSTEMS

All Leaf spring Models (Except HiLux) Fitment of 4 Shock Absorbers, 4 OME Leaf Springs, and U bolts and spring bushes as required	5.0 hours
Toyota HiLux All Leaf Spring Models Fitment of all the above plus additional work required to strengthen front spring seat mount	6.0 hours
Front Torsion Bar with Rear Leaf Spring Models Fitment of 4 Shock Absorbers, 2 OME rear leaf springs, U bolts, spring bushes and front torsion bar adjustment	3.0 hours

CARTRIDGE REPLACEMENT

Additional work required to install cartridge per strut	0.5 hours
---	-----------

TORSION BARS

Remove and replace a set of Bars (no removal complications)	1.5 hours
Remove and replace a set of Bars (removal complications eg. OE splines corroded)	2.5 hours

MISCELLANEOUS

Caster kits	2.0 hours
Steering stabilisers	0.5 hours
Greasable shackles (complete vehicle set)	2.0 hours

FRONT END WHEEL ALIGNMENT ADJUSTMENTS

Price
Live axle front end
Independent Front End

The above fitting times are only a guide, and additional time may be involved due to vehicle modifications or pre-existing accessories which can interfere with the fitment of the suspension.

WARRANTY

WARRANTY STATEMENT - WRITTEN POLICY & COMMENT

Nitrocharger Sport - 36 months / 60,000km

All other products - 24 months / 40,000km

FITTING WARRANTY:

In the event that your Suspension Equipment (the Kit) is fitted by a Licensed OME Fitter displaying the Licensed OME Fitter sign, ARB Corporation Limited, Old Man Emu Div. (OME) warrants:

- (a) That the Licensed OME Fitter has undergone a training course under the supervision of OME in the proper selection, fitting and testing of suspension equipment;
- (b) That the Licensed OME Fitter will select, fit and test the Kit in a proper and workmanlike manner.

PRODUCT WARRANTY:

1. OME warrants its products against defects in workmanship and material which caused it to perform below the specifications contained in the current OME fitting manual, for a period of twenty four (24) months or 40,000 kilometres (36 months/60,000km for Nitrocharger Sport), whichever comes first, from the date of retail sale, to the extent that OME will replace with a new or reconditioned part of any component part the workmanship or materials of which are found to be defective according to such specifications.

2. On instructions from OME, any spring or shock absorber which the customer claims to be defective should be returned, together with all mounting parts, to OME or to any Licensed OME Fitter accompanied by proof of purchase and a description of the claimed defect. The out-of-pocket cost of returning such part will be borne by OME in the event that the warranty claim is sustained.

3. This Warranty does not apply to, and OME excludes liability under this warranty (but see Clause 5 below) for, damage to or wear of any component part:

- (a) Caused by improper or negligent use
- (b) Caused by installation or use on modified vehicles or on vehicles other than those recommended by OME.
- (c) Caused by any racing or competition use if such use does not have the prior approval of OME.
- (d) Occurring after 500 kilometres of use unless the safety check recommended by OME has taken place.
- (e) Occurring by use of a vehicle loaded in excess of the Gross Vehicle Mass stated in respect of the vehicle by the relevant manufacturer.
- (f) Where installation is not performed by a Licensed OME Fitter.
- (g) Where used in excessively severe conditions such as mining and some government departments.

4. This warranty and all other warranties which by law may be negated shall be so negated if a suspension Kit is not fitted as a suspension system comprising entirely of OME parts.

5. The benefits conferred by this warranty are in addition to the rights and remedies which the customer has under the Trade Practices Act and similar state and territory laws in respect of the Kit and services provided with respect to the Kit, by a Licensed OME Fitter or any other person.

COMMENT:

By way of comment only, a correctly selected OME Kit, when not affected by the matters set out in Clause 3 above and fitted to a vehicle in good condition, without any individual peculiarities or uses, should have satisfactory suspension travel and rake, and not more than 10mm variation in bump stop clearances left to right hand side. The entire contents of the Technical and Fitting Manual are relevant to this comment. Refer to the OME Technical & Fitting manual for additional comment on warranty.

DISTRIBUTED BY

**Head Office:
ARB Corporation Limited**

**42-44 Garden Street
Kilsyth, Victoria 3137
AUSTRALIA**

**Tel +61 3 9761 6622
Fax +61 3 9761 6807
Web: www.arb.com.au**

**International enquiries
exports@arb.com.au**

**North, Central & South American Enquiry Centre:
ARB 4x4 Accessories**

**720 SW 34th Street
Renton, WA 98057
USA**

**Tel: (425) 264 1391
Fax: (425) 264 1392
Web: www.arbusa.com
Email: sales@arbusa.com**

